

APT15D120BG
Datasheet
Ultrafast Soft Recovery Rectifier Diode

Final
October 2018



Contents

1	Revision History	1
1.1	Revision C	1
1.2	Revision B	1
1.3	Revision A	1
2	Product Overview	2
2.1	Features	2
2.2	Benefits	2
2.3	Applications	2
3	Electrical Specifications	3
3.1	Absolute Maximum Ratings	3
3.2	Electrical Performance	3
3.3	Dynamic Characteristics	4
3.4	Typical Performance Curves	4
3.5	Reverse Recovery Overview	7
4	Package Specification	8
4.1	Package Outline Drawing	8

1 Revision History

The revision history describes the changes that were implemented in the document. The changes are listed by revision, starting with the most current publication.

1.1 Revision C

Revision C was published in October 2018. The new template and format was applied. The following is a summary of the changes in revision C of this document.

- Product image was updated.
- Product features were updated. For information, see [Product Overview \(see page 2\)](#).
- The operating and storage temperature range was changed from 150 °C to 175 °C, see [Absolute Maximum Ratings \(see page 3\)](#).
- The lead thickness in the package outline drawing was updated. For more information, see [Package Outline Drawing \(see page 8\)](#).

1.2 Revision B

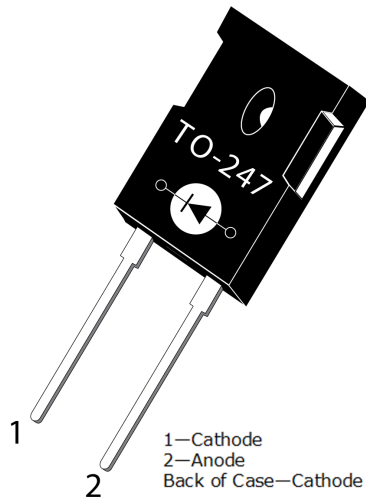
Revision B was published in November 2009. RoHS (G) designation was added to the datasheet title.

1.3 Revision A

Revision A was published in August 2004. It is the first publication of this document.

2 Product Overview

This section outlines the product overview for the APT15D120BG device.



2.1 Features

The following are key features of the APT15D120BG device.

- Ultrafast recovery times
- Soft recovery characteristics
- Low forward voltage
- Low leakage current
- RoHS compliant

2.2 Benefits

The following are benefits of the APT15D120BG device.

- Low switching losses
- Low noise (EMI) switching
- Cooler operation
- Higher reliability systems
- Increased system power density

2.3 Applications

The APT15D120BG device is designed for the following applications.

- Power factor correction (PFC)
- Anti-parallel diode
 - Switchmode power supply
 - Inverters
- Freewheeling diode
 - Motor controllers
 - Converters
 - Inverters
- Snubber diode

3 Electrical Specifications

This section shows the electrical specifications for the APT15D120BG device.

3.1 Absolute Maximum Ratings

The following table shows the absolute maximum ratings for the APT15D120BG device.

All ratings: $T_c = 25\text{ }^\circ\text{C}$ unless otherwise specified.

Table 1 • Absolute Maximum Ratings

Symbol	Parameter	Ratings	Unit
V_R	Maximum DC reverse voltage	1200	V
V_{RRM}	Maximum peak repetitive reverse voltage		
V_{RWM}	Maximum working peak reverse voltage		
$I_{F(AV)}$	Maximum average forward current ($T_c = 98\text{ }^\circ\text{C}$, duty cycle = 0.5)	15	A
$I_{F(RMS)}$	RMS forward current	24	
I_{FSM}	Non-repetitive forward surge current ($T_J = 45\text{ }^\circ\text{C}$, 8.3 ms)	110	
T_J, T_{STG}	Operating and storage temperature range	-55 to 175	$^\circ\text{C}$
T_L	Lead temperature for 10 seconds	300	

The following table shows the thermal and mechanical characteristics of the APT15D120BG device.

Table 2 • Thermal and Mechanical Characteristics

Symbol	Characteristic/Test Conditions	Min	Typ	Max	Unit
$R_{\theta JC}$	Junction-to-case thermal resistance			1.18	$^\circ\text{C}/\text{W}$
$R_{\theta JA}$	Junction-to-ambient thermal resistance			40	
Wt	Package weight		0.22		oz
			6.2		g
	Maximum mounting torque, 6-32 or M3 screw			10	lbf-in
				1.1	N-m

3.2 Electrical Performance

The following table shows the static characteristics of the APT15D120BG device.

Table 3 • Static Characteristics

Symbol	Characteristic	Test Conditions	Min	Typ	Max	Unit
V_F	Forward voltage	$I_F = 15\text{ A}$		2.0	2.5	V
		$I_F = 30\text{ A}$		2.3		
		$I_F = 15\text{ A}, T_J = 125\text{ }^\circ\text{C}$		1.8		
I_{RM}	Maximum reverse leakage current	$V_R = V_R\text{ rated}$			250	μA
		$V_R = V_R\text{ rated}, T_J = 125\text{ }^\circ\text{C}$			500	
C_j	Junction capacitance	$V_R = 200\text{ V}$		17		pF

3.3 Dynamic Characteristics

The following table shows the dynamic characteristics of the APT15D120BG device.

Table 4 • Dynamic Characteristics

Symbol	Characteristic	Test Conditions	Min	Typ	Max	Unit
t_{rr}	Reverse recovery time	$I_F = 1\text{ A}$ $di_F/dt = -100\text{ A}/\mu\text{s}$ $V_R = 30\text{ V}$ $T_J = 25\text{ }^\circ\text{C}$		32		ns
t_{rr}	Reverse recovery time	$I_F = 15\text{ A}$ $di_F/dt = -200\text{ A}/\mu\text{s}$		260		ns
Q_{rr}	Reverse recovery charge	$V_R = 800\text{ V}$		480		nC
I_{RRM}	Maximum reverse recovery current	$T_C = 25\text{ }^\circ\text{C}$		4		A
t_{rr}	Reverse recovery time	$I_F = 15\text{ A}$ $di_F/dt = -200\text{ A}/\mu\text{s}$		370		ns
Q_{rr}	Reverse recovery charge	$V_R = 800\text{ V}$		1300		nC
I_{RRM}	Maximum reverse recovery current	$T_C = 125\text{ }^\circ\text{C}$		9		A
t_{rr}	Reverse recovery time	$I_F = 15\text{ A}$ $di_F/dt = -1000\text{ A}/\mu\text{s}$		140		ns
Q_{rr}	Reverse recovery charge	$V_R = 800\text{ V}$		2000		nC
I_{RRM}	Maximum reverse recovery current	$T_C = 125\text{ }^\circ\text{C}$		28		A

3.4 Typical Performance Curves

This section shows the typical performance curves for the APT15D120BG device.

Figure 1 • Maximum Transient Thermal Impedance

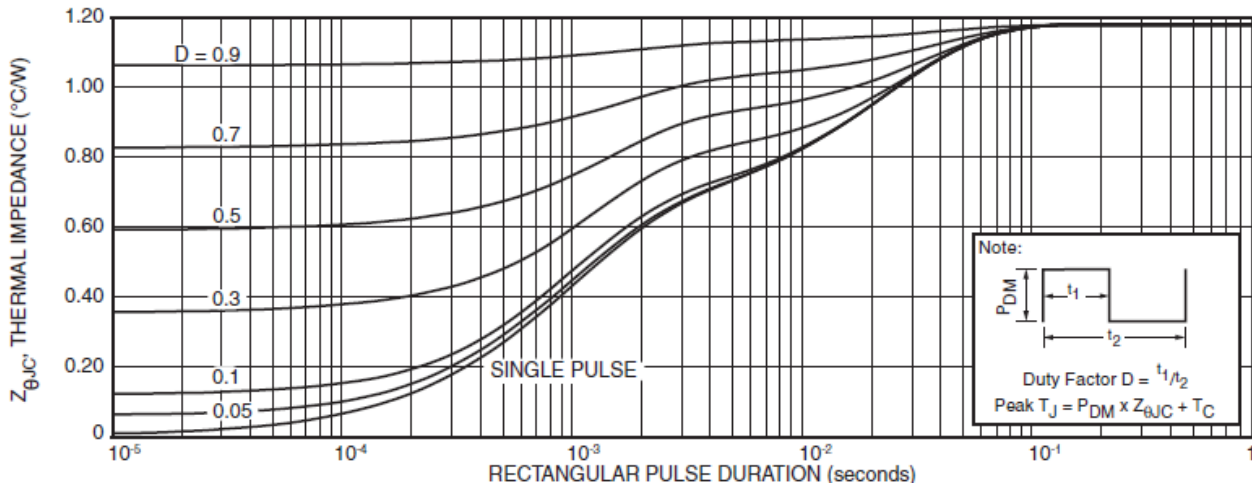


Figure 2 • Forward Current vs. Anode-to-Cathode Voltage (V)

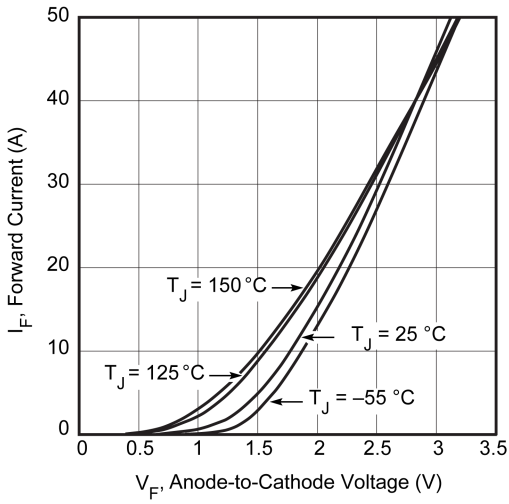


Figure 3 • Reverse Recovery Time vs. Current Rate of Change

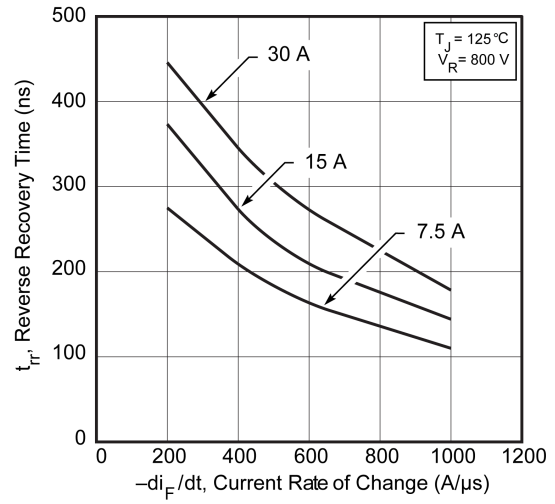


Figure 4 • Reverse Recovery Charge vs. Current Rate of Change

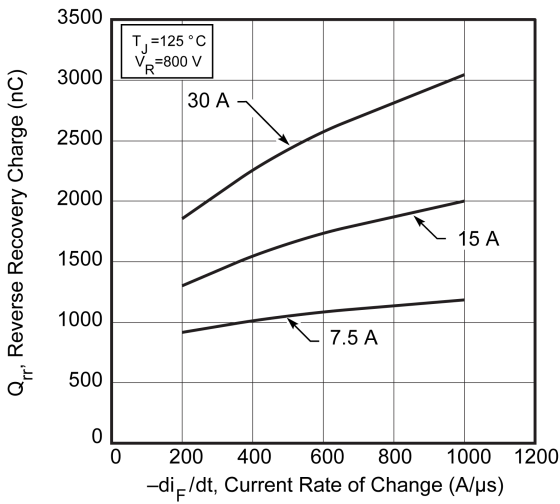


Figure 5 • Reverse Recovery Current vs. Current Rate of Change

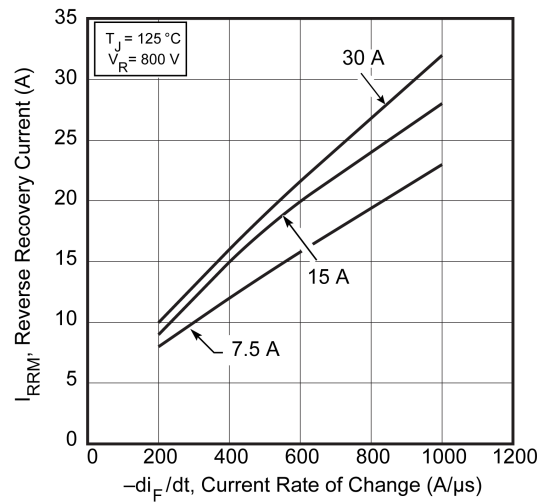


Figure 6 • Dynamic Parameters vs. Junction Temperature

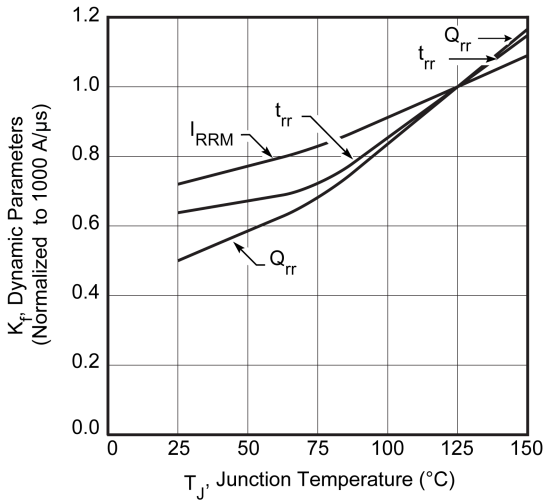


Figure 7 • Maximum Average Forward Current vs. Case Temperature

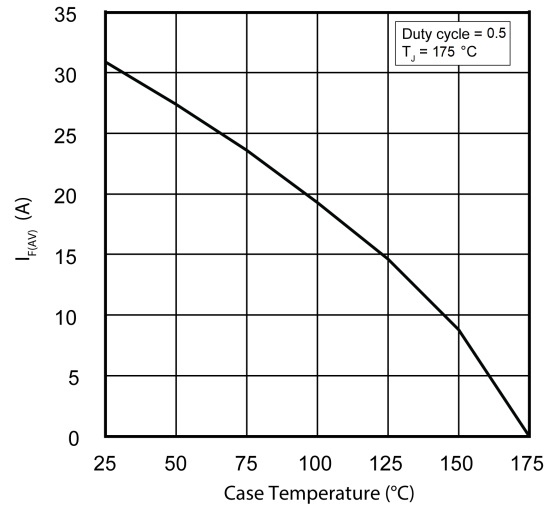
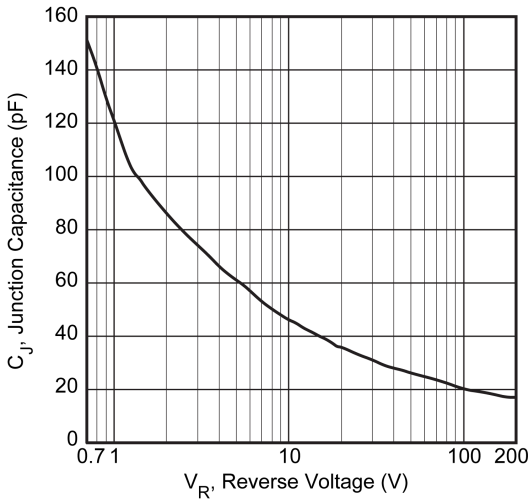


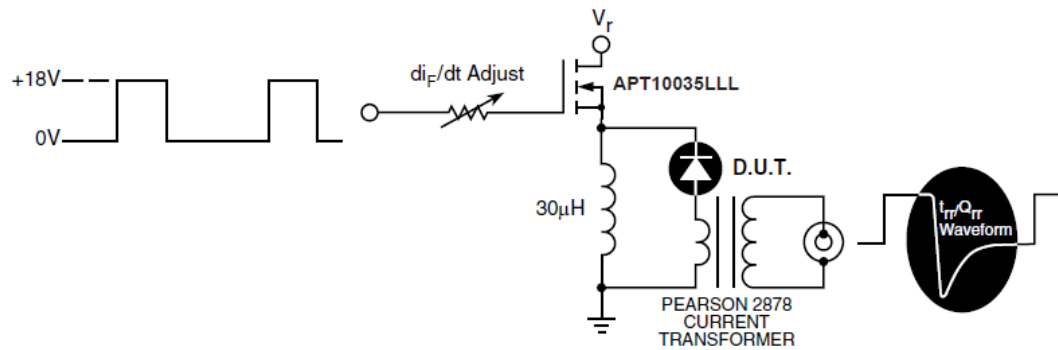
Figure 8 • Junction Capacitance vs. Reverse Voltage



3.5 Reverse Recovery Overview

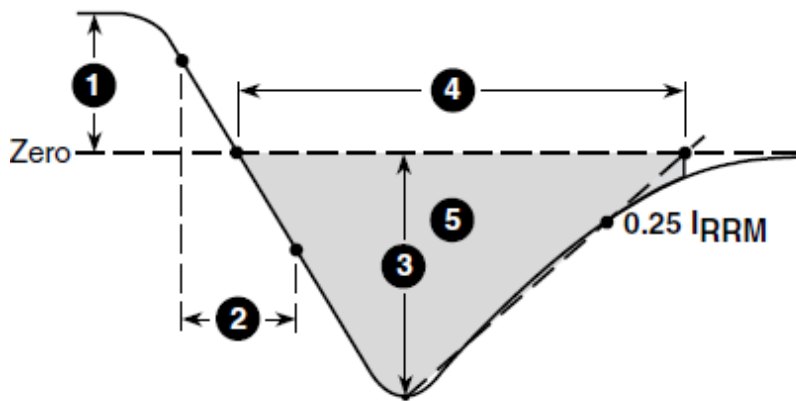
The following illustration shows the diode test circuit for the APT15D120BG device.

Figure 9 • Diode Test Circuit



The following illustration shows the diode reverse recovery waveform and definitions for the APT15D120BG device.

Figure 10 • Diode Reverse Recovery Waveform and Definitions



1. I_F —Forward conduction current
2. di_F/dt —Rate of diode current change through zero crossing
3. I_{RRM} —Maximum reverse recovery current
4. t_{rr} —Reverse recovery time, measured from zero crossing where diode current goes from positive to negative, to the point at which the straight line through I_{RRM} and $0.25 \cdot I_{RRM}$ passes through zero
5. Q_{rr} —Area under the curve defined by I_{RRM} and t_{rr}

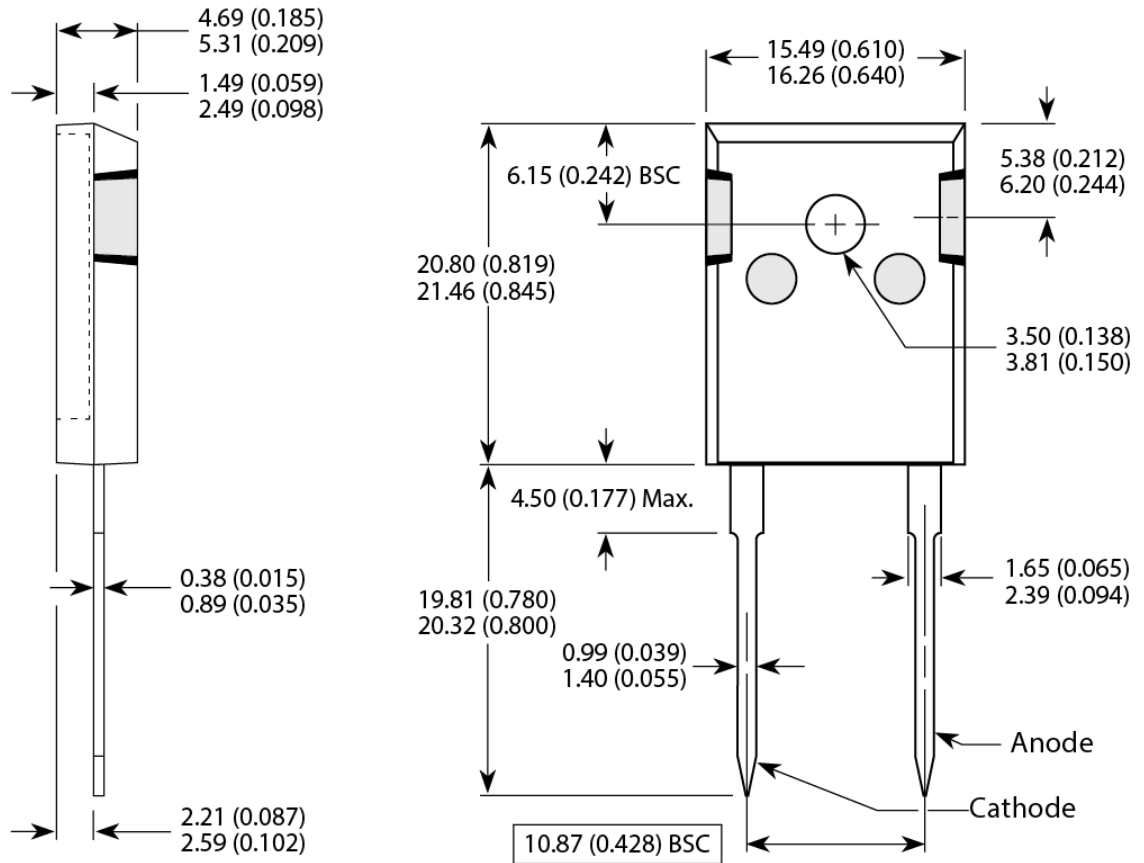
4 Package Specification

This section outlines the package specification for the APT15D120BG device.

4.1 Package Outline Drawing

The following figure shows the package outline drawing of the APT15D120BG device. Dimensions are in millimeters and (inches).

Figure 11 • Package Outline Drawing



**Microsemi Headquarters**

One Enterprise, Aliso Viejo,
 CA 92656 USA
 Within the USA: +1 (800) 713-4113
 Outside the USA: +1 (949) 380-6100
 Sales: +1 (949) 380-6136
 Fax: +1 (949) 215-4996
 Email: sales.support@microsemi.com
 www.microsemi.com

© 2018 Microsemi. All rights reserved. Microsemi and the Microsemi logo are trademarks of Microsemi Corporation. All other trademarks and service marks are the property of their respective owners.

Microsemi makes no warranty, representation, or guarantee regarding the information contained herein or the suitability of its products and services for any particular purpose, nor does Microsemi assume any liability whatsoever arising out of the application or use of any product or circuit. The products sold hereunder and any other products sold by Microsemi have been subject to limited testing and should not be used in conjunction with mission-critical equipment or applications. Any performance specifications are believed to be reliable but are not verified, and Buyer must conduct and complete all performance and other testing of the products, alone and together with, or installed in, any end-products. Buyer shall not rely on any data and performance specifications or parameters provided by Microsemi. It is the Buyer's responsibility to independently determine suitability of any products and to test and verify the same. The information provided by Microsemi hereunder is provided "as is, where is" and with all faults, and the entire risk associated with such information is entirely with the Buyer. Microsemi does not grant, explicitly or implicitly, to any party any patent rights, licenses, or any other IP rights, whether with regard to such information itself or anything described by such information. Information provided in this document is proprietary to Microsemi, and Microsemi reserves the right to make any changes to the information in this document or to any products and services at any time without notice.

Microsemi, a wholly owned subsidiary of Microchip Technology Inc. (Nasdaq: MCHP), offers a comprehensive portfolio of semiconductor and system solutions for aerospace & defense, communications, data center and industrial markets. Products include high-performance and radiation-hardened analog mixed-signal integrated circuits, FPGAs, SoCs and ASICs; power management products; timing and synchronization devices and precise time solutions; setting the world's standard for time; voice processing devices; RF solutions; discrete components; enterprise storage and communication solutions; security technologies and scalable anti-tamper products; Ethernet solutions; Power-over-Ethernet ICs and midspans; as well as custom design capabilities and services. Microsemi is headquartered in Aliso Viejo, California, and has approximately 4,800 employees globally. Learn more at www.microsemi.com.

053-0023