

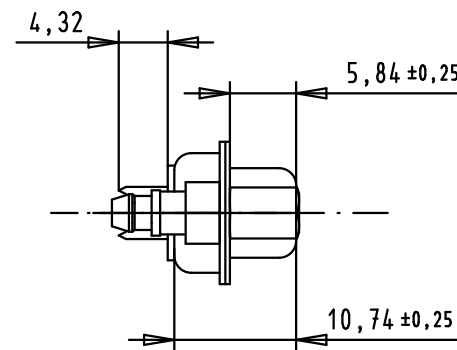
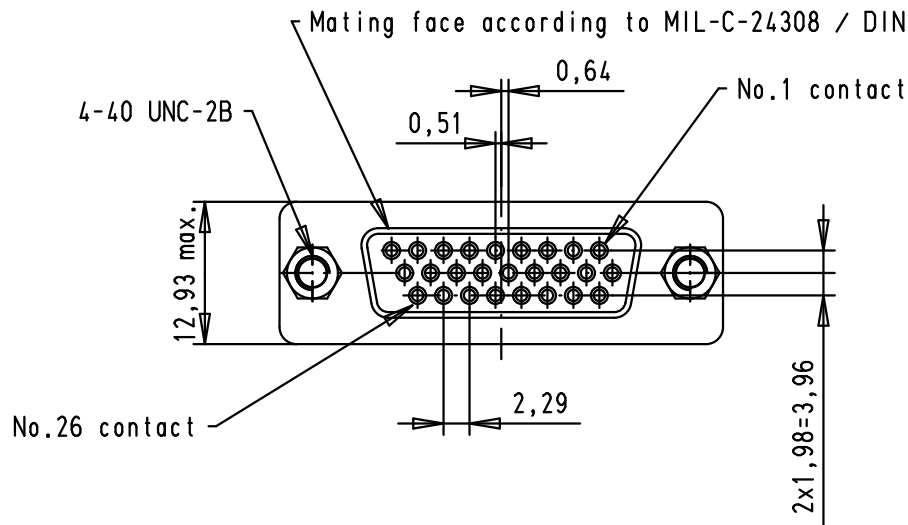
5 4 3 2 1

D

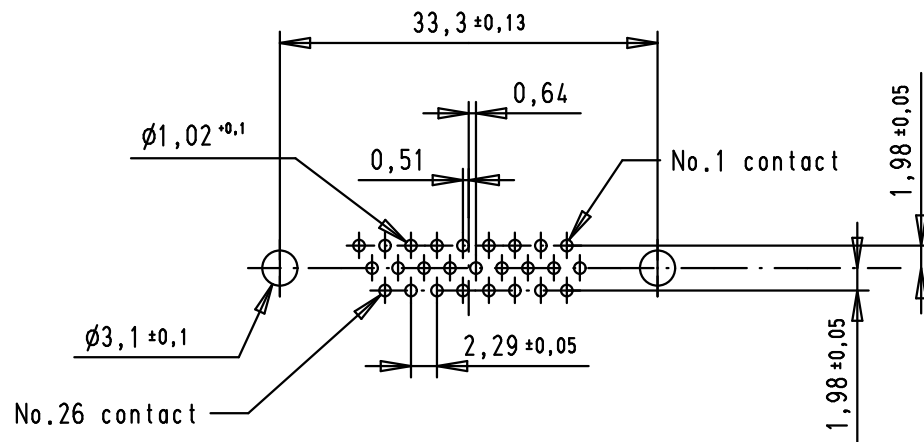
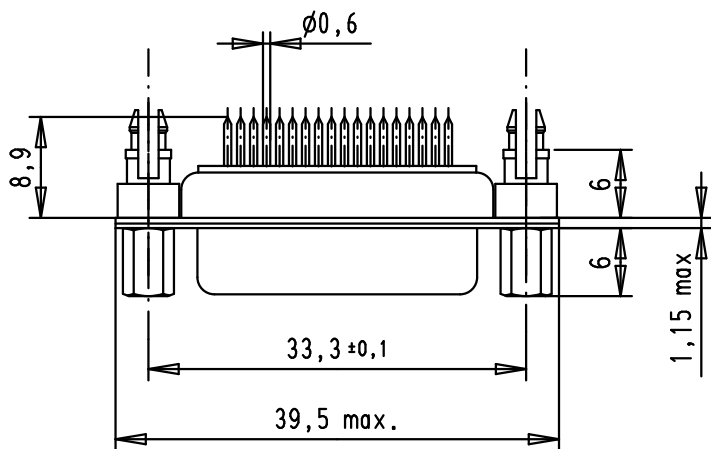
C

B

A

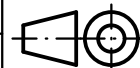


Printed board layout, component side
PCB thickness 1,6mm



| | |
|-------------|-------------------|
| | |
| | |
| | |
| 09562515513 | 0.76 μm Au |
| 09562517513 | 3 |
| Part number | Performance level |

| | | | | Dat. | Name |
|-------|----------|------|-------------------------------|---------|------|
| 36183 | 13/10/10 | BH | Detail. | 3-06-03 | S.H. |
| 32977 | 27/07/05 | JMDR | Insp. | | |
| 32735 | 18/03/05 | AL | Stand. | | |
| 32326 | 03/01/05 | TR | HARTING EURL F-95972 Paris | | |
| 31503 | 3-06-03 | S.H. | | | |
| Mod. | Dat. | Name | | | |



All Dim. in mm
Orig. Size DIN A 4



Dsub, 26 poles, female,
straight solder pins,
board locks screw lock

TB 0956251x513

Sub.

Maßstab/
Scale

1.5:1

Blatt/ Page

1 / 1