

SOT-23 Plastic-Encapsulate Transistors

MMBT4403 TRANSISTOR (PNP)

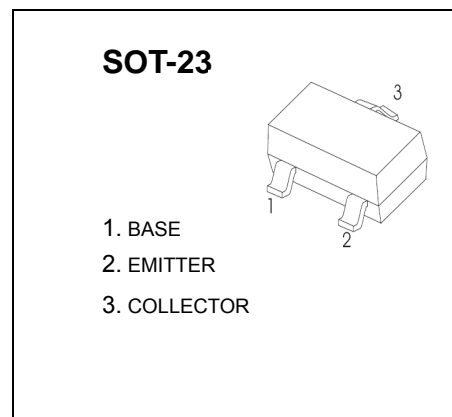
FEATURES

Switching transistor

MARKING : 2T

MAXIMUM RATINGS (T_a=25°C unless otherwise noted)

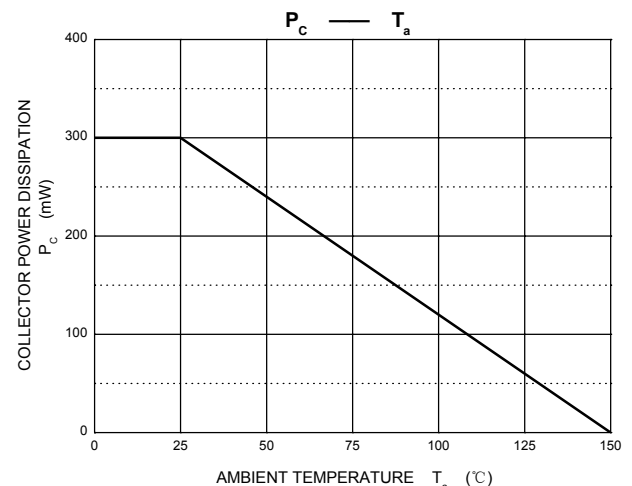
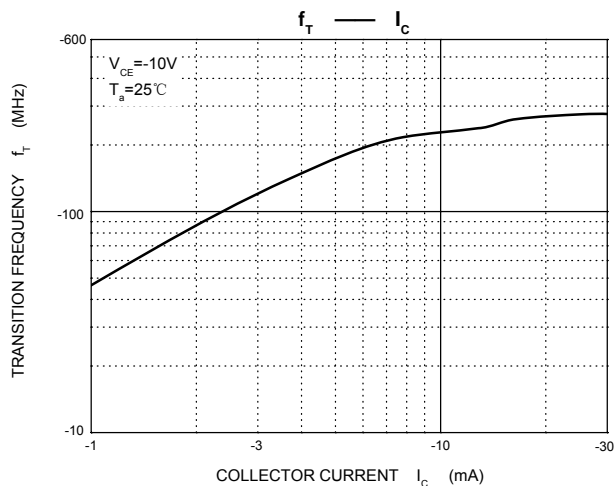
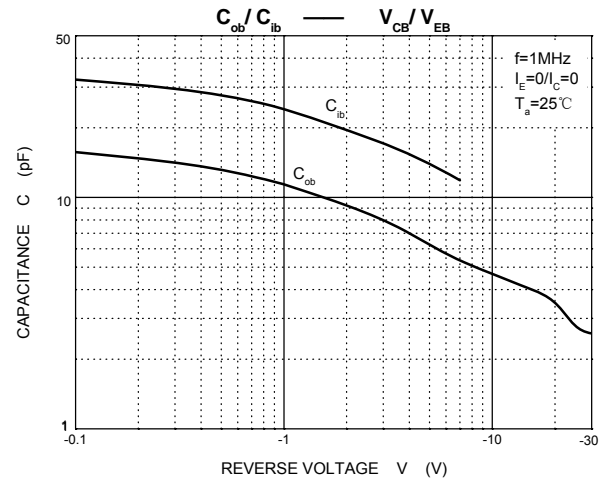
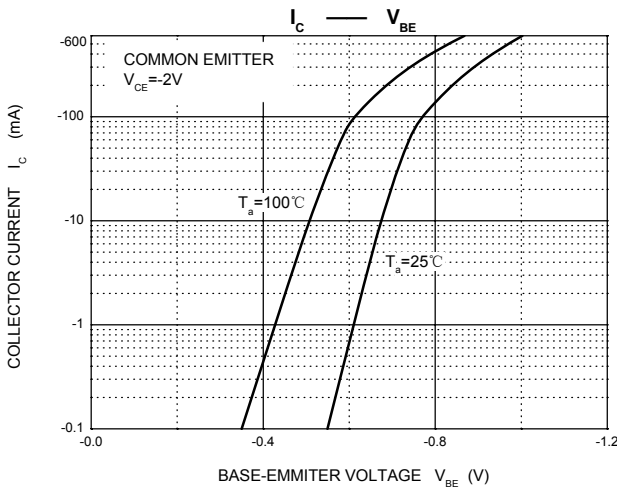
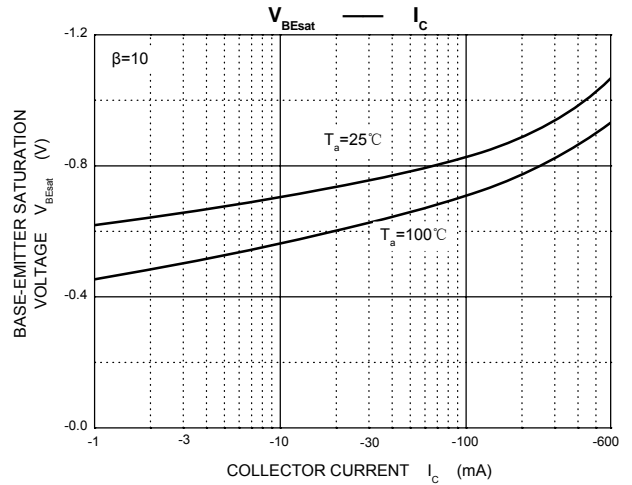
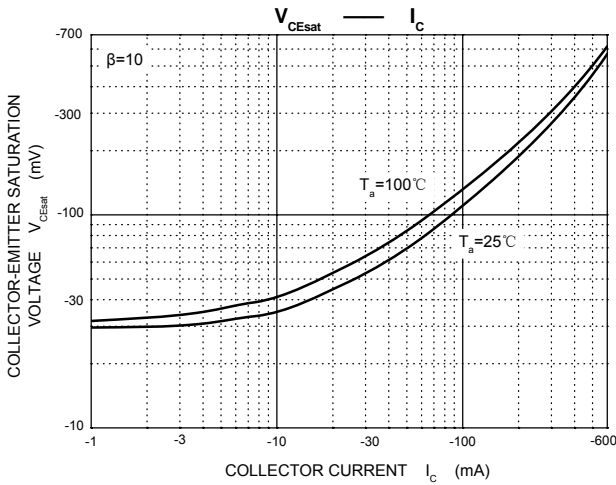
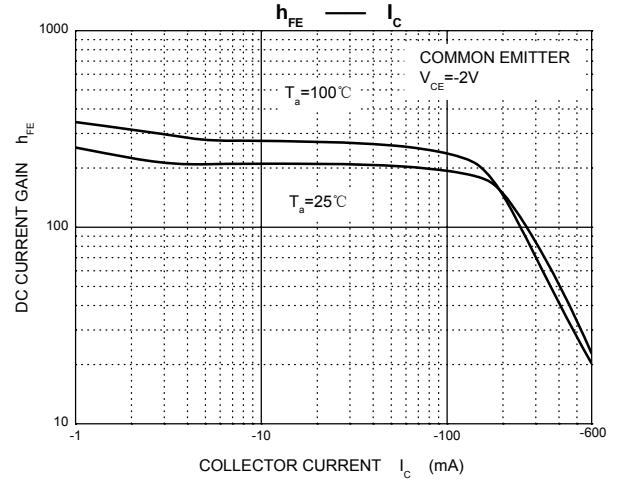
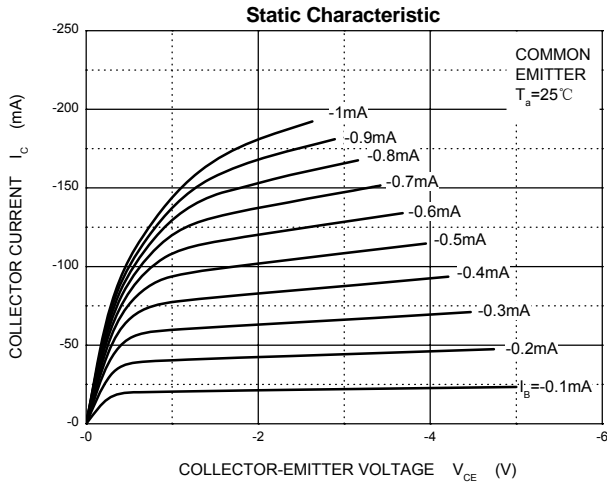
Symbol	Parameter	Value	Unit
V _{CB0}	Collector-Base Voltage	-40	V
V _{CEO}	Collector-Emitter Voltage	-40	V
V _{EBO}	Emitter-Base Voltage	-5	V
I _C	Collector Current -Continuous	-0.6	A
P _C	Collector Power Dissipation	0.3	W
T _j	Junction Temperature	150	°C
T _{stg}	Storage Temperature	-55-150	°C



ELECTRICAL CHARACTERISTICS (T_a=25°C unless otherwise specified)

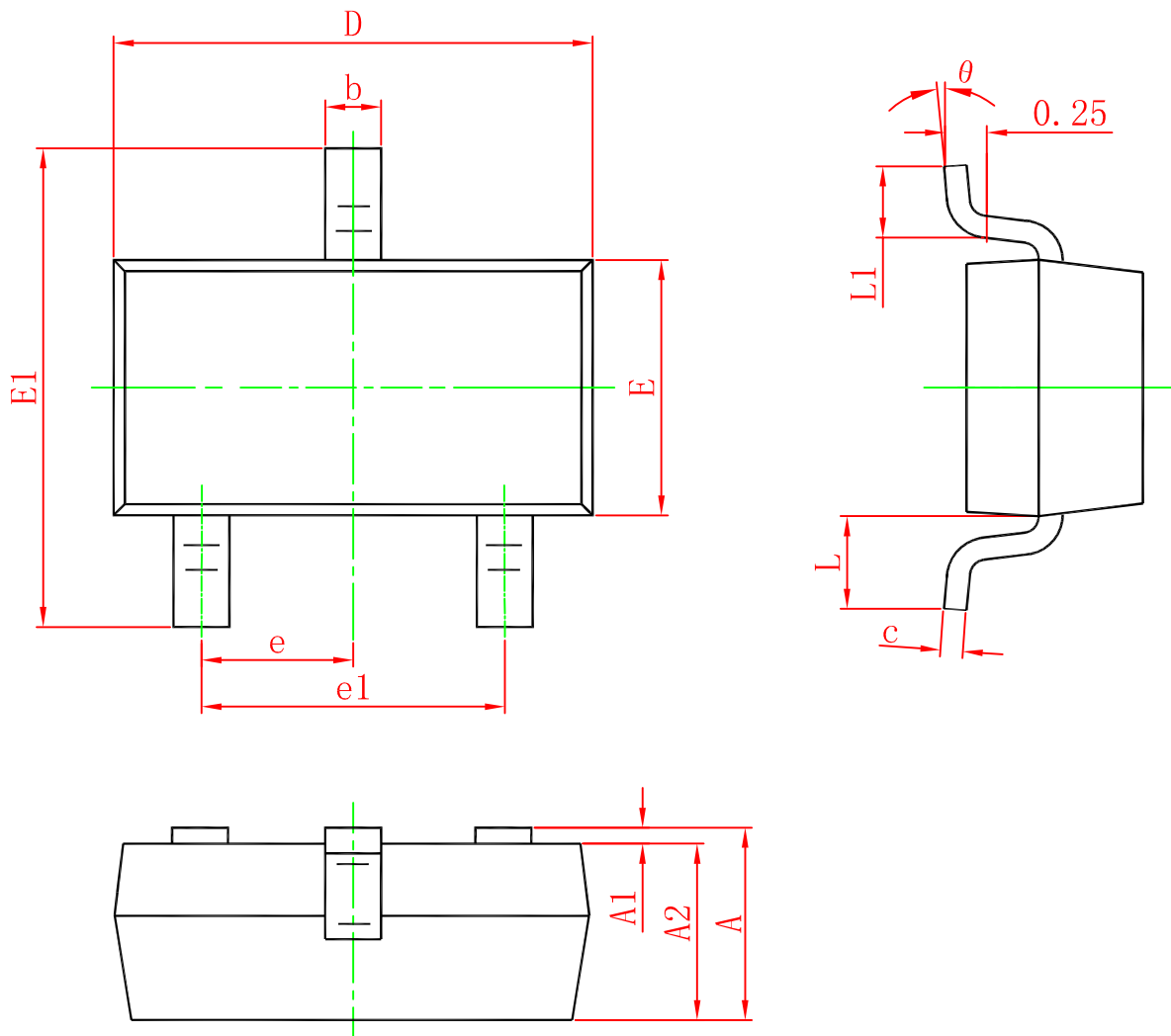
Parameter	Symbol	Test conditions	Min	Max	Unit
Collector-base breakdown voltage	V _{(BR)CBO}	I _C =-100μA, I _E =0	-40		V
Collector-emitter breakdown voltage	V _{(BR)CEO}	I _C =-1mA, I _B =0	-40		V
Emitter-base breakdown voltage	V _{(BR)EBO}	I _E =-100μA, I _C =0	-5		V
Collector cut-off current	I _{CBO}	V _{CB} =-35V, I _E =0		-0.1	μA
Collector cut-off current	I _{CEO}	V _{CE} =-35 V, I _B =0		-0.1	μA
Emitter cut-off current	I _{EBO}	V _{EB} =-4V, I _C =0		-0.1	μA
DC current gain	h _{FE}	V _{CE} =-2V, I _C =-150mA	100	300	
Collector-emitter saturation voltage	V _{CE(sat)}	I _C =-150mA, I _B =-15mA		-0.4	V
Base-emitter saturation voltage	V _{BE(sat)}	I _C =-150mA, I _B =-15mA		-0.95	V
Transition frequency	f _T	V _{CE} =-10V, I _C =-20mA f = 100MHz	200		MHz
Delay time	t _d	V _{CC} =-30V, V _{EB} =-2V, I _C =-150mA, I _{B1} =-15mA		15	ns
Rise time	t _r			20	ns
Storage time	t _s	V _{CC} =-30V, I _C =-150mA, I _{B1} = I _{B2} =-15mA		225	ns
Fall time	t _f			30	ns

Typical Characteristics



SOT-23 Plastic-Encapsulate Transistors

SOT-23 PACKAGE OUTLINE DIMENSIONS



Symbol	Dimensions In Millimeters		Dimensions In Inches	
	Min.	Max.	Min.	Max.
A	0.900	1.150	0.035	0.045
A1	0.000	0.100	0.000	0.004
A2	0.900	1.050	0.035	0.041
b	0.300	0.500	0.012	0.020
c	0.080	0.150	0.003	0.006
D	2.800	3.000	0.110	0.118
E	1.200	1.400	0.047	0.055
E1	2.250	2.550	0.089	0.100
e	0.950 TYP.		0.037 TYP.	
e1	1.800	2.000	0.071	0.079
L	0.550 REF.		0.022 REF.	
L1	0.300	0.500	0.012	0.020
θ	0°	8°	0°	8°