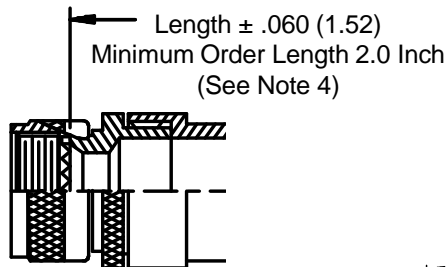
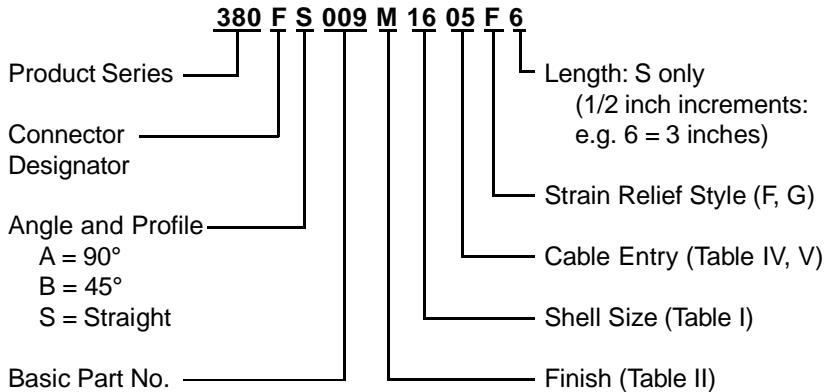
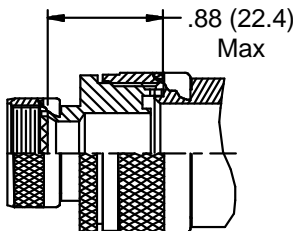


**CONNECTOR  
 DESIGNATORS  
 A-F-H-L-S  
 ROTATABLE  
 COUPLING**

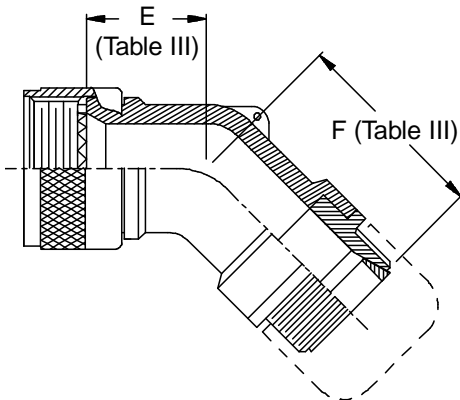
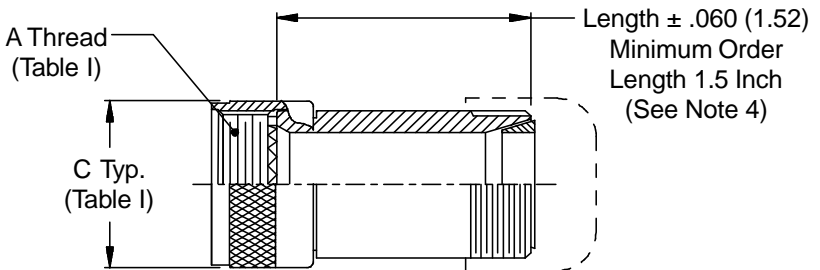
**TYPE D INDIVIDUAL  
 OR OVERALL  
 SHIELD TERMINATION**



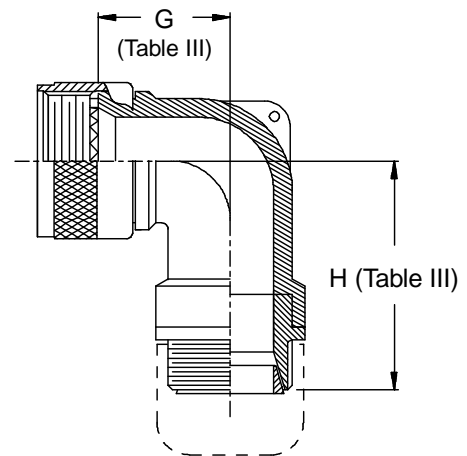
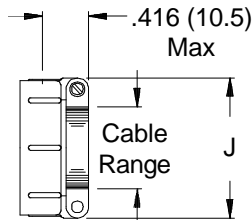
**STYLE 2  
 (STRAIGHT  
 See Note 1)**



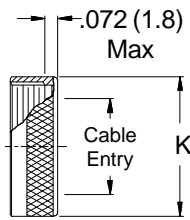
**STYLE 2  
 (45° & 90°  
 See Note 1)**



**STYLE F  
 Light Duty  
 (Table IV)**



**STYLE G  
 Light Duty  
 (Table V)**



-445

Now Available with the "NESTOR"

**Glenair's Non-Detent, Spring-Loaded, Self-Locking Coupling.**  
 Add "-445" to Specify This AS85049 Style "N" Coupling Interface.

**380-009**  
**EMI/RFI Non-Environmental Backshell**  
 with Strain Relief  
 Type D - Rotatable Coupling - Low Profile



See inside back cover fold-out or pages 13 and 14 for unabridged Tables I and II.

**TABLE III: ELBOW DIMENSIONS**

Shell Size		E		F		G		H	
Conn. Desig.	H	Max		Max		Max		Max	
A-F-L-S									
08	09	.457	(11.6)	1.500	(38.1)	.500	(12.7)	1.445	(36.7)
10	11	.520	(13.2)	1.510	(38.4)	.595	(15.1)	1.565	(39.8)
12	13	.582	(14.8)	1.580	(40.1)	.610	(15.5)	1.585	(40.3)
14	15	.645	(16.4)	1.660	(42.2)	.700	(17.8)	1.655	(42.0)
16	17	.738	(18.7)	1.770	(45.0)	.885	(22.5)	1.725	(43.8)
18	19	.926	(23.5)	1.960	(49.8)	.975	(24.8)	1.915	(48.6)
20	21	.926	(23.5)	1.960	(49.8)	.975	(24.8)	1.915	(48.6)
22	23	1.020	(25.9)	2.110	(53.6)	1.125	(28.6)	2.025	(51.4)
24	25	1.020	(25.9)	2.110	(53.6)	1.125	(28.6)	2.025	(51.4)
28		1.145	(29.1)	2.160	(54.9)	1.225	(31.1)	2.195	(55.8)
32		1.207	(30.7)	2.260	(57.4)	1.575	(40.0)	2.445	(62.1)
36		1.238	(31.4)	2.360	(59.9)	1.775	(45.1)	2.445	(62.1)

**TABLE II: STANDARD FINISHES**

GLENAIR	
SYMBOL	FINISH
B	Cadmium Plate, Olive Drab
M	Electroless Nickel
NF	Cadmium Plate, Olive Drab Over Electroless Nickel

See Inside Back Cover  
for Additional Finish Options

**TABLE IV: CABLE ENTRY**

Dash No.	J Max	Cable Range	
		Min	Max
02	.968 (24.6)	.125 (3.2)	.250 (6.4)
03	1.046 (26.6)	.250 (6.4)	.375 (9.5)
04	1.156 (29.4)	.312 (7.9)	.500 (12.7)
05	1.218 (30.9)	.437 (11.1)	.625 (15.9)
06	1.343 (34.1)	.562 (14.3)	.750 (19.1)
07	1.468 (37.3)	.687 (17.4)	.875 (22.2)
08	1.593 (40.5)	.812 (20.6)	1.000 (25.4)
10	1.843 (46.8)	1.062 (27.0)	1.250 (31.8)

**TABLE V: CABLE ENTRY**

Dash No.	K Max	Cable Entry Max
01	.656 (16.7)	.125 (3.2)
02	.781 (19.8)	.250 (6.4)
03	.906 (23.0)	.375 (9.5)
04	1.031 (26.2)	.500 (12.7)
05	1.156 (29.4)	.625 (15.9)
06	1.281 (32.5)	.750 (19.1)
07	1.406 (35.7)	.875 (22.2)
08	1.531 (38.9)	1.000 (25.4)
09	1.656 (42.1)	1.125 (28.6)
10	1.781 (45.2)	1.250 (31.8)

1. When maximum cable entry (page 21) is exceeded, Style 2 will be supplied. Dimensions E, F, G and H will not apply. Please consult factory.
2. Metric dimensions (mm) are indicated in parentheses.
3. Cable range is defined as the accommodations range for the wire bundle or cable. Dimensions shown are not intended for inspection criteria.
4. Consult factory for shorter lengths on straight backshells.

# Mouser Electronics

Authorized Distributor

Click to View Pricing, Inventory, Delivery & Lifecycle Information:

## Glenair:

[380AS009M2004F3](#) [380HS009M1503F3](#) [380HA009M1907F](#) [380HA009M2107F](#) [380HA009M2508F](#)  
[380HS009M1306F3](#) [380HS009M2107F3](#) [380AA009B1602F](#) [380AA009M1002G](#) [380AA009M1003F](#)  
[380AA009M1202F-98A](#) [380AA009M1402F-98A](#) [380AB009M2004F-220-.625](#) [380AB009M2004F-73](#)  
[380AB009M2007F-73](#) [380AS009M0803F3](#) [380AS009M1003F3](#) [380AS009M1204F4-16B](#) [380AS009M1402F2-98T](#)  
[380AS009M1403F4](#) [380AS009M1605F2](#) [380AS009M2005F3](#) [380AS009M2207F3](#) [380AS009M2406F2](#)  
[380AS009N2205F3](#) [380AS009NF1403F3](#) [380AS009NF1606F3](#) [380AS009NF1807F2](#) [380AS009NF2204F3](#)  
[380AS009NF2205F4](#) [380AS009NF2404F3](#) [380AS009NF2408F2](#) [380FA009M0802G](#) [380HA009M1304F](#)  
[380HA009M1502F](#) [380HA009M1703F](#) [380HA009M1706F](#) [380HA009M2102F](#) [380HA009N1303F-73](#)  
[380HA009N1303F-98A](#) [380HS009M0902F3](#) [380HS009M0903F3](#) [380HS009M1102F3](#) [380HS009M1103F3](#)  
[380HS009M1303F3](#) [380HS009M1304F3](#) [380HS009M1306F4](#) [380HS009M1502F3](#) [380HS009M1504F2](#)  
[380HS009M1505F3](#) [380HS009M1706F3](#) [380HS009M1907F3](#) [380HS009M2105F4](#) [380HS009M2304F3](#)  
[380HS009M2506F4](#) [380HS009M2510F3](#) [380HS009NF1102F3](#) [380HS009NF1303G2-98K](#) [380HS009NF1304F3](#)  
[380HS009NF1704F2](#) [380HS009NF1706F2](#) [380HS009NF2110F3](#) [380HS009NF2508F2](#) [380HS009NF2510F2](#)  
[380HA009M1704F-186F](#) [380HA009M2305F-186F](#) [380HD009M2308F204](#) [380HS009M1102F3-186F](#)  
[380HS009M2308F5-204](#) [380HS009M2508F4](#) [380HS009ZN1708F3](#) [380AA009M1806F](#) [380AA009NF2208F](#)  
[380AB009M2004F](#) [380FA009M2005F](#) [380HA009M0902G](#) [380HA009M1503G](#) [380HA009M1505F](#) [380HA009M2308F](#)  
[380HB009M1503G](#) [380HB009M2510F](#) [380HS009M1502G4](#) [380HS009M2306F4](#) [380HS009M2503G4](#)  
[380SS009NF1003F3](#) [380AS009M1604F3](#) [380FA009M1405F](#) [380FA009M1606F](#) [380HS009M2308F3](#)  
[380HS009M1104F4](#) [380HS009M2108F3](#) [380HS009M2505F3](#) [380HS009NF1505F3](#) [380HS009NF2105F2](#)  
[380HS009NF2105F6](#) [380HA009M0904F](#) [380HA009M1102F](#) [380HA009M1103F](#) [380HA009M2510F](#)  
[380HS009M1302F3](#)