

MS27291 Straight Non-Self-Locking Strain Relief

CONNECTOR DESIGNATOR:	
E	MIL-DTL-26500

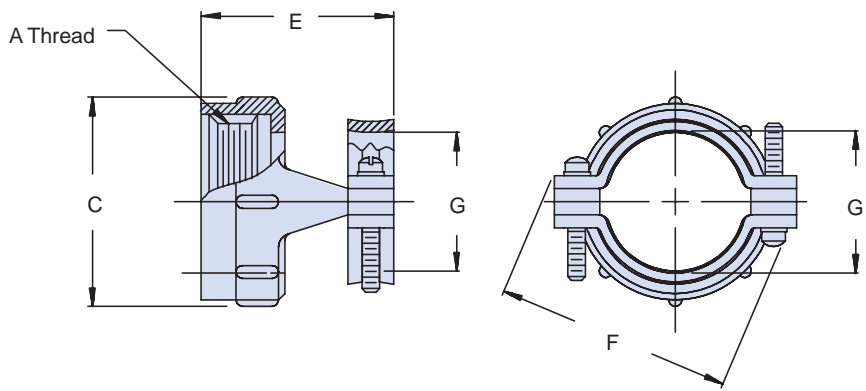
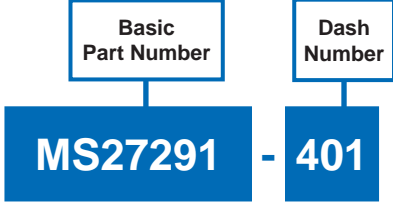


TABLE I: Dash Number, Shell Size, Thread and Dimensions

Dash No. For Use with Class Connectors		Shell Size Ref.	A Thread Class 2B	C Max	E		F Max		Ø G	
					±.015	(.4)			±.005	(.1)
R and F	G									
1	101	10	.562 - 24 UNEF	.731 (18.6)	.935 (23.7)	.914 (23.2)	.270 (6.9)			
2	201	12	.750 - 20 UNEF	.919 (23.3)	.935 (23.7)	1.026 (26.1)	.400 (10.2)			
3	301	14	.812 - 20 UNEF	.981 (24.9)	1.170 (29.7)	1.090 (27.7)	.460 (11.7)			
4	401	16	.938 - 20 UNEF	1.106 (28.1)	1.170 (29.7)	1.250 (31.8)	.610 (15.5)			
5	501	18	1.062 - 18 UNEF	1.231 (31.3)	1.170 (29.7)	1.358 (34.5)	.690 (17.5)			
6	601	22	1.312 - 18 UNEF	1.481 (37.6)	1.170 (29.7)	1.604 (40.7)	.940 (23.9)			
13	701	8	.438 - 28 UNEF	.606 (15.4)	.935 (23.7)	.789 (20.0)	.186 (4.7)			
14	801	20	1.188 - 18 UNEF	1.356 (34.4)	1.170 (29.7)	1.481 (37.6)	.816 (20.7)			
15	901	24	1.438 - 18 UNEF	1.606 (40.8)	1.170 (29.7)	1.729 (43.9)	1.066 (27.1)			

- APPLICATION NOTES**
1. Finish: Class R and F—anodize, Class G, Chrome Plated
 2. Assembly to be identified with manufacturer's name and part number, space permitting.
 3. For complete dimensions, see the applicable Military Specification.
 4. Metric dimensions (mm) are in parentheses.

Dimensions in inches (millimeters) and are subject to change without notice.

Mouser Electronics

Authorized Distributor

Click to View Pricing, Inventory, Delivery & Lifecycle Information:

Glenair:

[MS27291-201](#) [MS27291-401](#) [MS27291-14L](#) [MS27291-15L](#) [MS27291-2L](#) [MS27291-4L](#) [MS27291-5L](#) [MS27291-6L](#)
[MS27291-1](#) [MS27291-13](#) [MS27291-14](#) [MS27291-15](#) [MS27291-3](#) [MS27291-4](#) [MS27291-5](#) [MS27291-6](#) [MS27291-](#)
[601](#) [MS27291-2](#) [MS27291-101](#) [MS27291-801](#) [MS27291-501](#) [MS27291-701](#) [MS27291-301](#) [MS27291-901](#) [ZZL-R-](#)
[5324-A](#) [ZZL-R-5318-A](#) [ZZL-R-5316-A](#) [ZZL-R-5310-A](#) [ZZL-R-5308-A](#) [ZZL-R-5322-A](#) [ZZL-R-5314-A](#) [ZZL-R-5312-A](#)