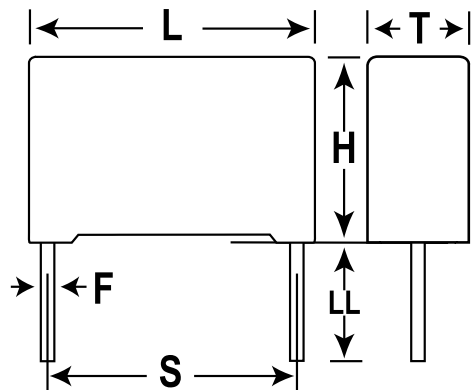


KEMET Part Number: R71MF31504030K
(71MF31504030K)

Capacitor, Film, Metallized Polypropylene, 0.15 uF, +/-10% Tol, -40/+110C, General Purpose, 420 VDC@105C, Lead Spacing=10 mm



| Dimensions (mm) | | |
|-----------------|-----------|-----------|
| Symbol | Dimension | Tolerance |
| L | 13 | +0.2 |
| H | 11 | +0.1 |
| T | 5 | +0.2 |
| S | 10 | +/-0.4 |
| LL | 30 | +5 |
| F | 0.6 | +/-0.05 |

| Packaging Specifications | |
|--------------------------|------|
| Package Kind: | Bulk |
| Package Quantity: | 1500 |

| General Information | |
|---------------------|--------------------------|
| Supplier: | KEMET |
| Dielectric: | Metallized Polypropylene |
| Application: | General Purpose |
| Sub Application: | Pulse |
| Style: | Radial Box |
| Lead Form: | Wire Leads |
| Features: | Pulse |
| RoHS: | Yes |

| Specifications | |
|------------------------------|---|
| Capacitance: | 0.15 uF |
| Voltage: | 420 VDC |
| Tolerance: | +/-10% |
| Voltage AC: | 220 VAC |
| Rated Temperature: | 105C |
| Temperature Range: | -40/+110C |
| Dissipation Factor @ 1 kHz: | 0.1% |
| Dissipation Factor @ 10 kHz: | 0.1% |
| Dissipation Factor @ 100kHz: | 0.1% |
| Insulation Resistance: | 100 GOhm |
| Inductance: | 9 |
| Maximum dVdT: | 250 v/us |
| Miscellaneous: | Above 105C DC And AC Voltage Derating Is 4%/C |