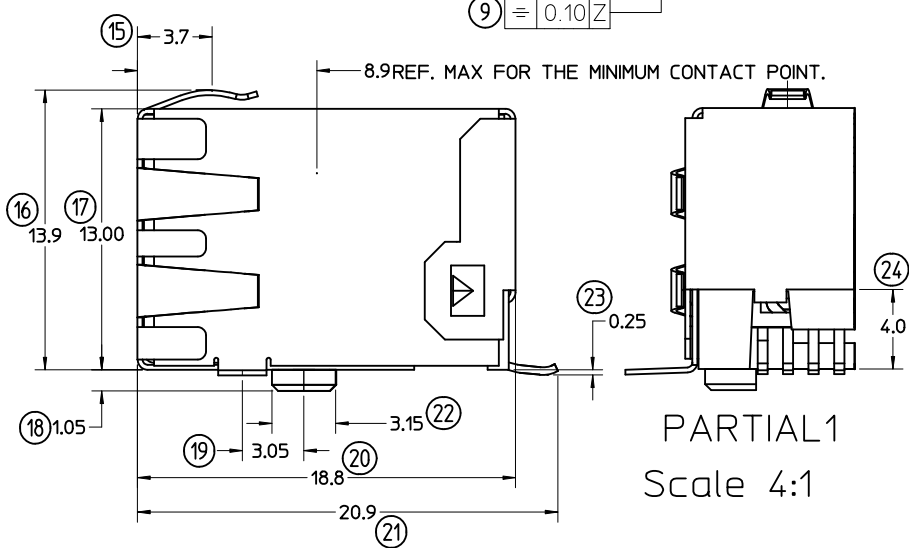
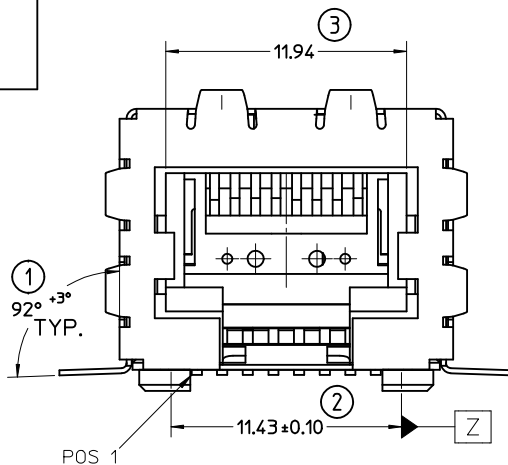
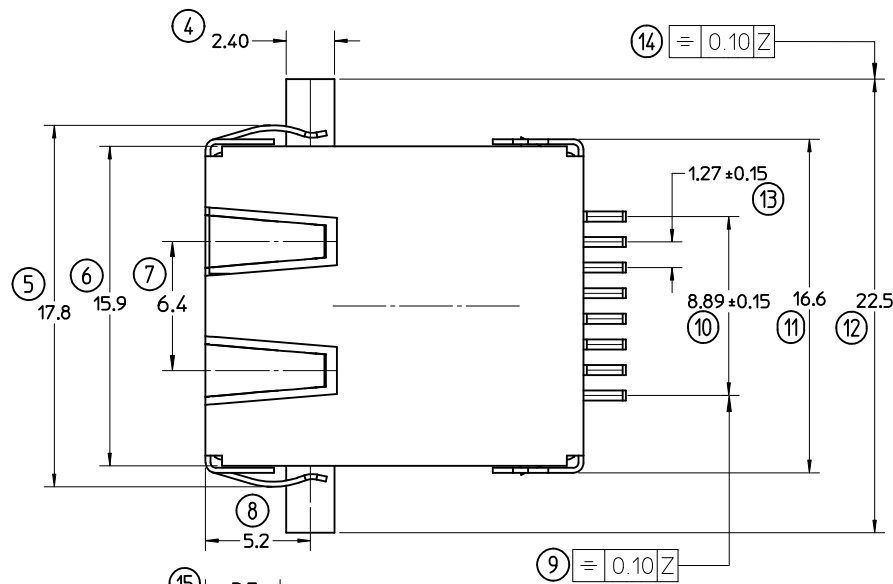
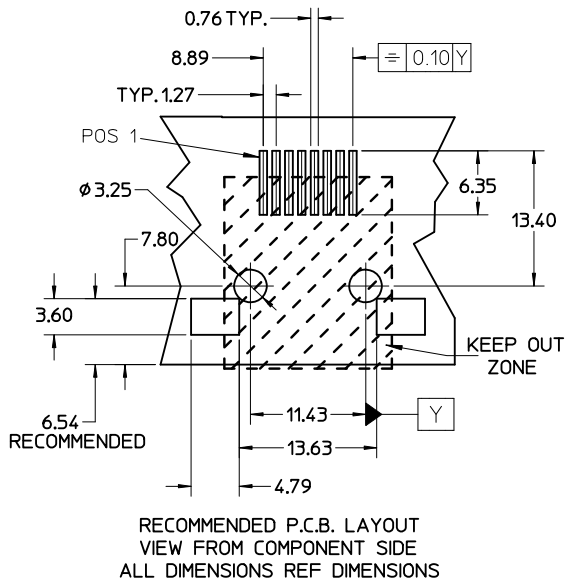


PART No.	PLATING
85543-7001	7



**NOTES:**

- 1- JACK FOR MATING WITH SHIELDED PLUG (MOLEX 95043 SERIES)
- 2- PRODUCT SPECIFICATION: PS-85543-002
- 3- PACKAGING SPECIFICATION: PK-85542-002 (BLISTER ON REEL)
- ② 4- COPLANARITY OF SIGNAL LEADS: 0.10 MAX
- 5- EXCEEDS CATEGORY 5E PERFORMANCE.
- 6- RECOMMENDED PCB THICKNESS 1.57

LAST INSPECTION No: 25

**TECHNICAL SPECIFICATIONS:**

**MATERIAL:**

HOUSING: LCP GLASS FILLED UL 94V0.

COLOUR BLACK.

TERMINAL: PHOSPHOR BRONZE PLATED WITH:

PLATING 7: POST PLATE 0.00005 MIN GOLD FLASH OVER  
0.00060 MIN PALLADIUM-NICKEL IN CONTACT AREA,  
0.00190 MIN PURE TIN IN TAIL AREA,  
BOTH OVER 0.00127 MIN NICKEL OVERALL.

SHIELD: BRASS PLATED WITH 0.0020 MIN TIN.

UPDATED PS NOTE EC NO: IPG2012-0375 DRWN: JOCANNOR 2012/02/14 CHKD: CHKD: APPR: EFOLAN 2012/03/07	DESCRIPTION QUALITY SYMBOLS ▽=0 ◻=0	GENERAL TOLERANCES (UNLESS SPECIFIED)		DIMENSION STYLE MM ONLY		SCALE 4:1	DESIGN UNITS METRIC	THIRD ANGLE PROJECTION			
		4 PLACES ± --- ± ---	3 PLACES ± --- ± 0.10	2 PLACES ± 0.25 ± 0.14	1 PLACE ± 0.35 ± ---	ANGULAR ± 2 °	DRAWN BY DBYRNES	DATE 2006/09/05	TITLE HIGH SPEED R/A FULLY SHIELDED MOD JACK(8-CCT)		
							CHECKED BY EOMAHONY	DATE 2006/09/06	MOLEX INCORPORATED		
							APPROVED BY EOMAHONY	DATE 2006/09/06	MATERIAL NO. DOCUMENT NO. SHEET NO. SEE CHART SD-85543-501 1 OF 1		
DRAFT WHERE APPLICABLE MUST REMAIN WITHIN DIMENSIONS					SIZE A3	THIS DRAWING CONTAINS INFORMATION THAT IS PROPRIETARY TO MOLEX INCORPORATED AND SHOULD NOT BE USED WITHOUT WRITTEN PERMISSION					