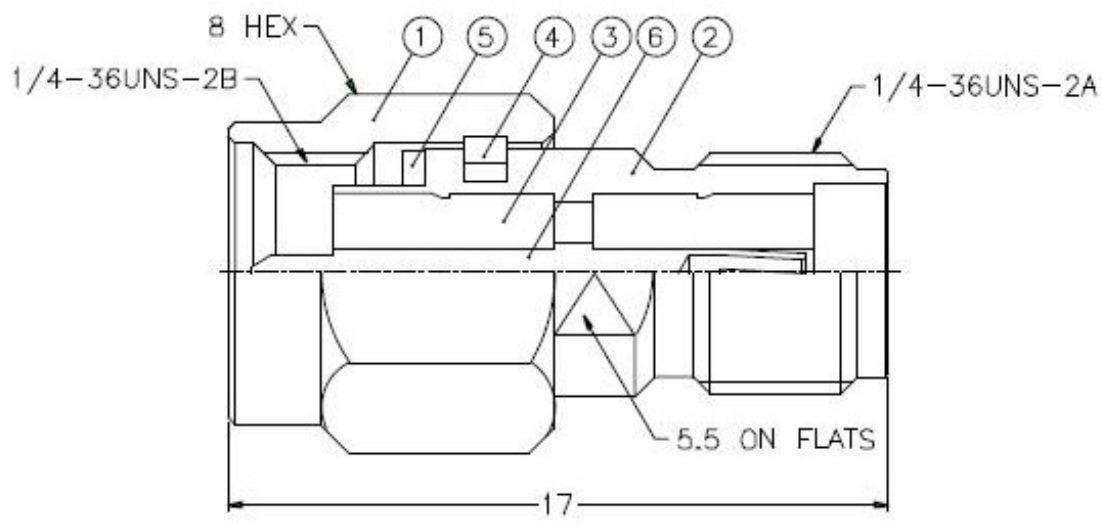


1 2 3 4 5 6 7 8

REVISIONS		
ISS	ZONE	DESCRIPTION\PER REQUEST\DATE



NOTES: FINISH (PLATING THICKNESS IN MICRO-INCHES)
 1. BRASS PER QQ-B-626
 2. GOLD PL. 3 MIN. THICK OVER NICKEL PL. 100 MIN. THICK OVER COPPER STRIKE
 3. BERYLLIUM COPPER PER QQ-C-530
 4. GOLD PL. 50 MIN. THICK OVER NICKEL PL. 100 MIN. THICK OVER COPPER STRIKE
 5. PTFE MIL-P-19468

6	CONTACT PIN	NOTE 3	NOTE 4	1	SMA5071A1-6
5	GASKET	SILICONE	RED	1	GS-6/43X06
4	RETAINER RING	NOTE 3	NATURAL	1	SMA5000-4-B
3	INSULATOR	NOTE 5	NATURAL	2	SMA5071A1-3T-50
2	BODY	NOTE 1	NOTE 2	1	SMA5071A1-2
1	SHELL	NOTE 1	NOTE 2	1	SMA5000-1-C
NO.	DESCRIPTION	MATERIAL	FINISH	QTY	DRAWING NO.

DIMENSIONS ARE IN MILLIMETERS				PART NO. SMA5071A1-3GT50G-50	
UNLESS OTHERWISE SPECIFIED TOLERANCES				APPROVED	DATE
0.5-6	= ±0.2	6-30	= ±0.4		10-11-01'
30-120	= ±0.6	120-315	= ±1	CHECKED	DATE
315-1000	= ±1.6	1000-2000	= ±2.4		10-11-01'
				DRAWN	DATE
					10-11-01'
SCALE	5/1	ISSUE	A	FILE NO.	

Amphenol	
TITLE SMA MALE TO FEMALE ADAPTOR	
DRAWING NO. KJ-SMA5071A1-3GT50G-50	
ITEM NO.	

1 2 3 4 5 6 7 8