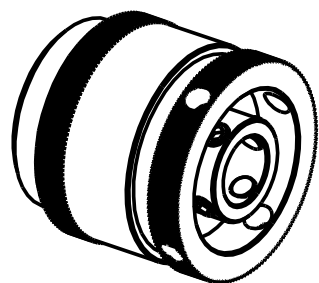
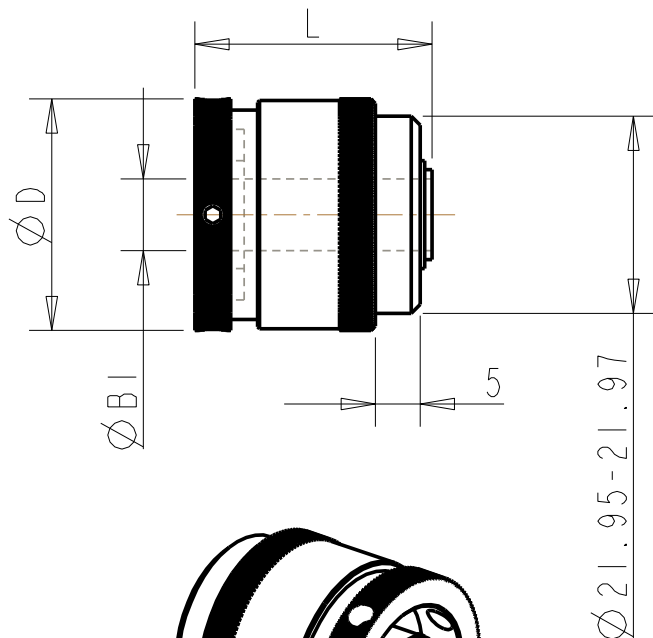
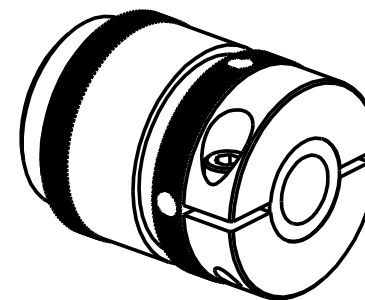
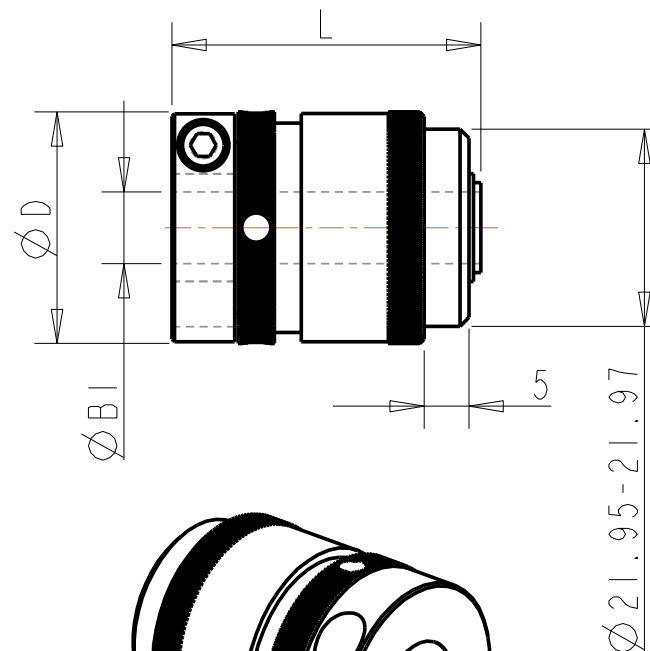


# Basic 2 Plate, Adjustable Friction Clutch with Set Screw & Clamp Style Fixing



**Ref. 271  
Set Screw Fixing**



**Ref 41  
Clamp Fixing**

All Dimensions in mm

NOT TO SCALE

1. Maximum shaft penetration

Ref. No.	Ø D	L	L1 (1)	L2	Fastener at B1		Fastener at B2	
					Ø B1 Max	Screw	Ø B2 Max	Screw
271.25	25.8	26.4	thru'	-	8	M3	-	-
401.25	25.8	34.4	thru'	-	8	M3	-	-