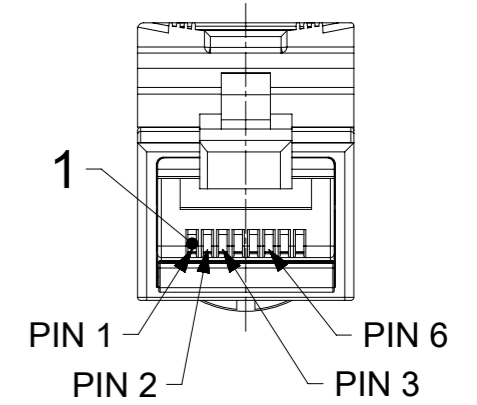
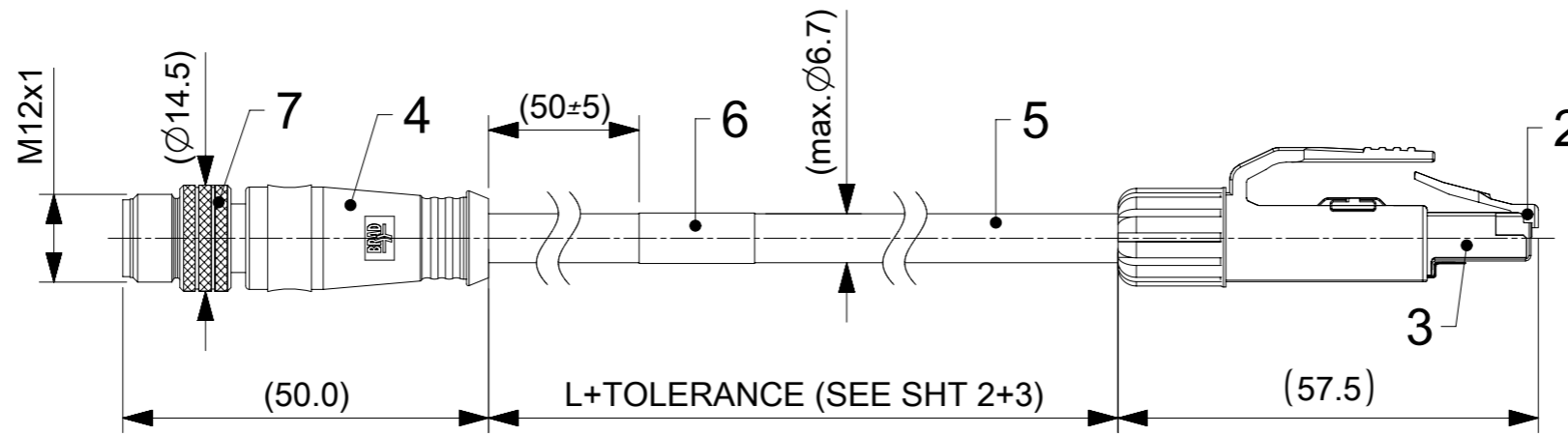
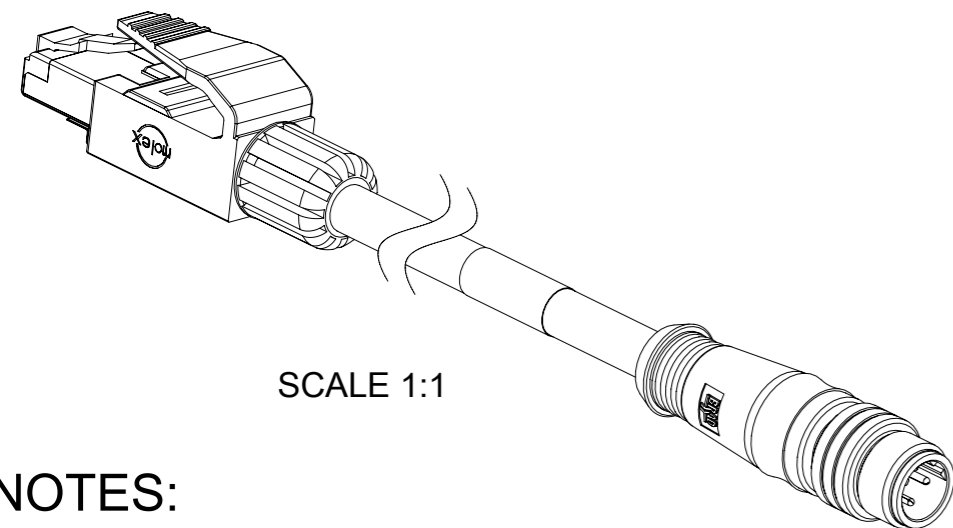


FRONT VIEW
SCALE 2:1

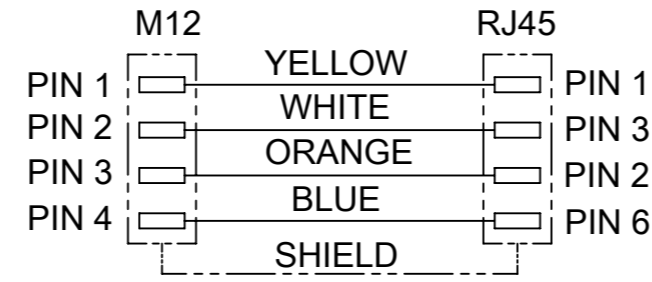


FRONT VIEW
SCALE 2:1



SCALE 1:1

WIRING DIAGRAM



BOM

ITEM	QTY.	DESCRIPTION	MATERIAL	FINISH/COLOR
9	4	CONTACTS M12 MALE	BRASS	SELECTIVE GOLD
8	1	INSERT 4P MALE	PUR	BLACK
7	1	COUPLING NUT M12 MALE	BRASS	NICKEL
6	1	LABEL 50x69.8	VINYL	WHITE
5	-	CABLE	SEE SHEET 2	---
4	-	OVERMOLD	TPU	BLACK
3	1	SHIELD	BRASS	TIN
2	1	PLUG RJ45 TRANSPARENT	POLYCARBONATE	---
1	4 or 8	CONTACT RJ45 MALE	PHOSPHOR BRONZE	SELECTIVE GOLD

NOTES:

- ELECTRICAL DATA:
MAX. VOLTAGE RATING 60 VDC
MAX. CURRENT PER CONTACT 1.5 A
- ENVIRONMENTAL:
OPERATING TEMPERATURE SEE SHEET 2
INDEX OF PROTECTION RJ45: IP20
INDEX OF PROTECTION M12: IP67
- FOR MORE INFORMATION SEE PRODUCT SPECIFICATION 1201080202 PS P00

THIS DRAWING CONTAINS INFORMATION THAT IS PROPRIETARY TO MOLEX ELECTRONIC TECHNOLOGIES, LLC AND SHOULD NOT BE USED WITHOUT WRITTEN PERMISSION

SYMBOLS: DIMENSION UNITS: mm SCALE: 1:1

GENERAL TOLERANCES (UNLESS SPECIFIED): ANGULAR TOL ± 1.0°

CURRENT REV DESC: CORRECTION TO OLD RJ45 DESIGN

EC NO: 639128
DRWN: RSCHIEBER 2020/05/20
CHK'D: RSILLER 2020/06/08
APPR: RSILLER 2020/06/08

INITIAL REVISION:
DRWN: JMARSZALEK 2015/07/07
APPR: RSILLER 2020/05/12

THIRD ANGLE PROJECTION

molex

CSE M12 RJ45 4P DC MA STR MA STR XM

PRODUCT CUSTOMER DRAWING

DOCUMENT NUMBER: 1201080256 DOC TYPE: PSD DOC PART: 000 REVISION: A1

MATERIAL NUMBER: SEE SHEET 3 CUSTOMER: GENERAL MARKET SHEET NUMBER: 1 OF 3

