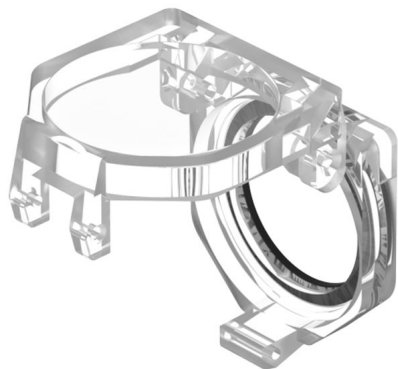


# EAO – Your Expert Partner for Human Machine Interfaces

## 704.925.0 - Protection cover round, raised design

### 704.925.0 - Protection cover round, raised design



*Attention: The preview is based on a sample product. This can differ from your current configuration.*

#### Mounting

Mounting cut-out Ø 22,3 mm  
Design raised

#### Other Attributes

Weight 0,007 kg  
Material Plastic

#### IP-Rating

Front protection IP65

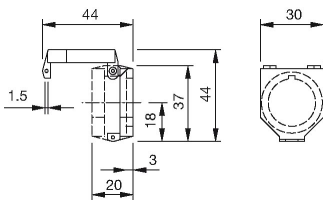
#### Optics

Optics transparent

# EAO – Your Expert Partner for Human Machine Interfaces

## 704.925.0 - Protection cover round, raised design

### Dimensions



### Additional information

hinged, with means for sealing  
for pushbutton

Protection cover Part No. 704.925.2 only for selector switches in  
basic position A applicable

Front panel thickness reduced by 3 mm

The dimensions of the mounting cut-outs are shown in the product  
details

Please note that bigger minimum distances are necessary