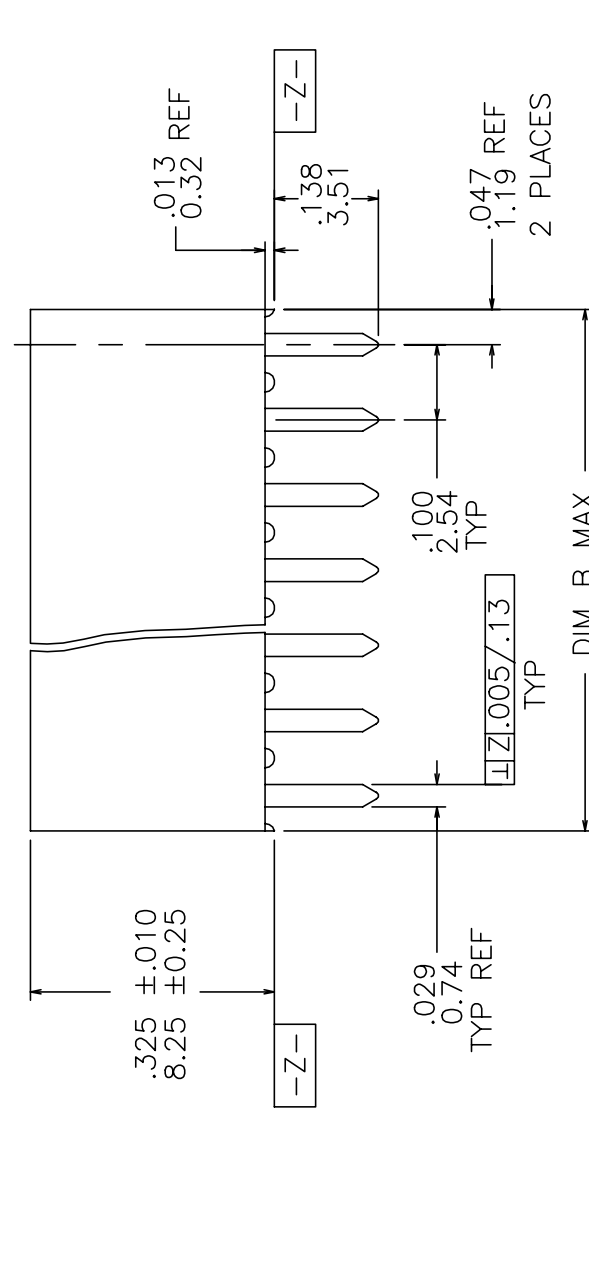
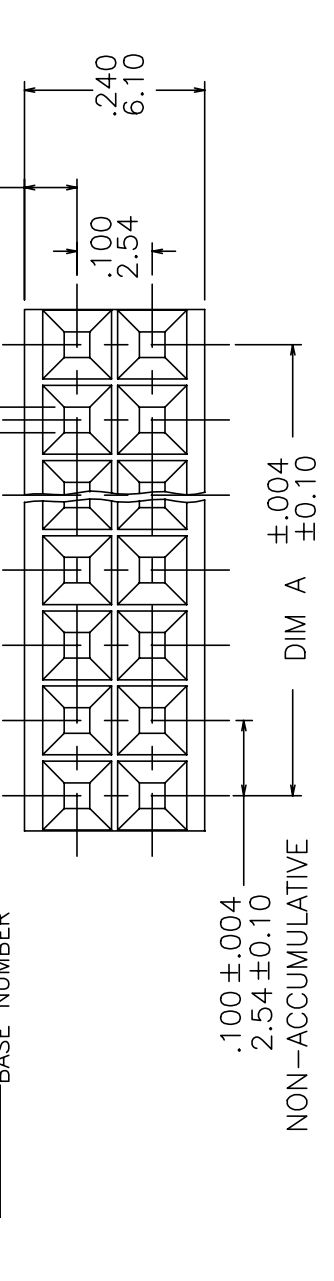


LEAD FREE OPTION ( NOTE 5,6)  
 NUMBER OF POSITIONS  
 MARKING CODE (SEE TABLE)  
 BASE NUMBER



mat'l. code	surface	tolerance	projection	product family
ELX-N-14788	ISO 1302	ISO 1101	ASME Y14.5	VCC
ZK	5/17/13			
LSS	6/12/97			
EPK	3/6/88			
MDF	1/11/00			
MHT	6/06/05			
ERE	03/03/07			
sheet	revision	R	R	
index	sheet	1	2	3

title	dwg no	sheet # of 3	size
VERT. CARD CONNECTOR	D/R .100/2.54 CC	66953	A3
type	Product Customer Drawing		

1	2	3	4	5	6
PRODUCT NO.	MARKING CODE	PLATING CODE			
66953-0XX	STANDARD MARKING PER NOTE 3	BODY PLATING: 30u"/0.76um Au OVER 50u"/1.27um Ni ON CONTACT AREA. 100u"/2.54um Sn (NOTE 8) OVER 50u"/1.27um Ni ON SOLDER TAIL. SPRING PLATING: GOLD FLASH.			
66953-8XX	SPECIAL-MIL-MARKING-PER-NOTE-5	OBS			
66953-1XX	STANDARD MARKING PER NOTE 3	BODY PLATING: 30u"/0.76um Au OVER 50u"/1.27um Ni ON CONTACT AREA. GOLD FLASH OVER 50u"/1.27um Ni ON SOLDER TAIL. SPRING PLATING: GOLD FLASH.			

- NOTES.
- HOUSING MATERIAL: FILLED POLYESTER,  
FLAME RETARDANT PER UL 94V-0.  
COLOR: BLACK.
  - TERMINAL MATERIAL:  
BODY: COPPER ALLOY  
SPRING: COPPER ALLOY
  - MARK FCI PART NUMBER AND DATE CODE LEGIBLE ON TUBE LABEL.
  - APPLICATION INFORMATION.  
A. RECOMMENDED MOUNTING HOLE PATTERN IS SHOWN IN FIG. 1  
B. ALL MATING PINS TO BE .025/.64 SQUARE ON TRUE CENTER OF GIVEN TERMINAL SPACINGS, WITHIN .015/.38 DIAMETER.  
C. SUGGESTED MATING PIN LENGTH, .210 ±.020/5.33 ±.51.
  - ADD "LF" SUFFIX AT THE END OF PART NUMBER FOR LEAD FREE OPTION.
  - THIS PRODUCT MEETS EUROPEAN UNION DIRECTIVES AND OTHER COUNTRY REGULATION AS DESCRIBED IN GS-22-008.
  - THE HOUSING WILL WITHSTAND EXPOSURE TO 260°C PEAK TEMPERATURE FOR 15 SECONDS IN A WAVE SOLDER APPLICATION WITH A 1.5mm MINIMUM THICK CIRCUIT BOARD. SEE APPLICATION NOTES/PROCEDURES IF THEY ARE AVAILABLE.
  - "THIS PRODUCT HAS 100% TIN PLATING IN THE INTERFACE AND HAS NOT BEEN TESTED FOR WHISKER GROWTH IN ALL INTERCONNECT ENVIRONMENTS."

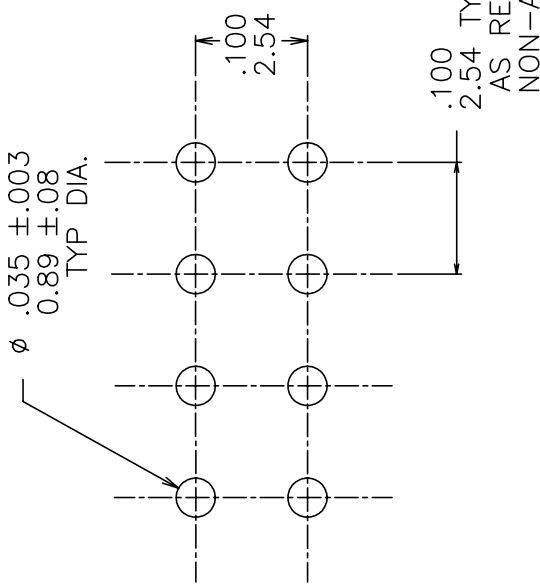


FIG. 1  
SCALE 6:1

mat'l. code	surface / tolerance	projection	product family
trnec nqdr date	ISO 1302 / ISO 100	ISO 100	VCC
P	tolerances unless otherwise specified	title	VERT. CARD CONNECTOR
	angles	INCH/MM	D/R .100/2.54 CC
	0°±2'	scale 1:1	dwg no 66953
	dr M. FETROW 6/26/89		sheet 2 of 3 size A3
	enrt M. HAHN 6/26/89		type Product Customer Drawing
	chr M. HAHN 6/26/89		
	appd M. HAHN 6/26/89		
sheet index	revision		
	sheet		

PRODUCT NO.	NO. OF POSITIONS	DIM A	DIM B	DESC PART NUMBER ON -8XX SERIES ONLY	LF PRODUCT NO.	NO. OF POSITIONS	DIM A	DIM B	DESC PART NUMBER ON -8XX SERIES ONLY
UNASIGNED					UNASIGNED				
66953-Y01	2 X 2	.100/2.54	.266/5.68	WWWWW-02	66953-Y01LF	2 X 3	.300/5.08	.300/7.62	WWWWW-03
-Y02	2 X 3	.200/5.08	.300/7.62	WWWWW-03	-Y04LF	2 X 4	.400/10.16	.400/10.16	WWWWW-04
-Y04	2 X 4	.300/7.62	.400/10.16	WWWWW-04	-Y05LF	2 X 5	.500/12.70	.500/12.70	WWWWW-05
-Y05	2 X 5	.400/10.16	.500/12.70	WWWWW-05	-Y06LF	2 X 6	.600/15.24	.600/15.24	WWWWW-06
-Y06	2 X 6	.500/12.70	.600/15.24	WWWWW-06	-Y07LF	2 X 7	.700/17.78	.700/17.78	WWWWW-07
-Y07	2 X 7	.600/15.24	.700/17.78	WWWWW-07	-Y08LF	2 X 8	.800/20.32	.800/20.32	WWWWW-08
-Y08	2 X 8	.700/17.78	.800/20.32	WWWWW-08	-Y09LF	2 X 9	.900/22.86	.900/22.86	WWWWW-09
-Y09	2 X 9	.800/20.32	.900/22.86	WWWWW-09	-Y10LF	2 X 10	1.000/25.40	1.000/25.40	WWWWW-10
-Y10	2 X 10	.900/22.86	1.000/25.40	WWWWW-10	-Y11LF	2 X 11	1.100/27.94	1.100/27.94	WWWWW-11
-Y11	2 X 11	1.000/25.40	1.100/27.94	WWWWW-11	-Y12LF	2 X 12	1.200/30.48	1.200/30.48	WWWWW-12
-Y12	2 X 12	1.100/27.94	1.200/30.48	WWWWW-12	-Y13LF	2 X 13	1.300/33.02	1.300/33.02	WWWWW-13
-Y13	2 X 13	1.200/30.48	1.300/33.02	WWWWW-13	-Y14LF	2 X 14	1.400/35.56	1.400/35.56	WWWWW-14
-Y14	2 X 14	1.300/33.02	1.400/35.56	WWWWW-14	-Y15LF	2 X 15	1.500/38.10	1.500/38.10	WWWWW-15
-Y15	2 X 15	1.400/35.56	1.500/38.10	WWWWW-15	-Y16LF	2 X 16	1.600/40.64	1.600/40.64	WWWWW-16
-Y16	2 X 16	1.500/38.10	1.600/40.64	WWWWW-16	-Y17LF	2 X 17	1.700/43.18	1.700/43.18	WWWWW-17
-Y17	2 X 17	1.600/40.64	1.700/43.18	WWWWW-17	-Y18LF	2 X 18	1.800/45.72	1.800/45.72	WWWWW-18
-Y18	2 X 18	1.700/43.18	1.800/45.72	WWWWW-18	-Y19LF	2 X 19	1.900/48.26	1.900/48.26	WWWWW-19
-Y19	2 X 19	1.800/45.72	1.900/48.26	WWWWW-19	-Y20LF	2 X 20	2.000/50.80	2.000/50.80	WWWWW-20
-Y20	2 X 20	1.900/48.26	2.000/50.80	WWWWW-20	-Y21LF	2 X 21	2.100/53.34	2.100/53.34	WWWWW-21
-Y21	2 X 21	2.000/50.80	2.100/53.34	WWWWW-21	-Y22LF	2 X 22	2.200/55.88	2.200/55.88	WWWWW-22
-Y22	2 X 22	2.100/53.34	2.200/55.88	WWWWW-22	-Y23LF	2 X 23	2.300/58.42	2.300/58.42	WWWWW-23
-Y23	2 X 23	2.200/55.88	2.300/58.42	WWWWW-23	-Y24LF	2 X 24	2.400/60.96	2.400/60.96	WWWWW-24
-Y24	2 X 24	2.300/58.42	2.400/60.96	WWWWW-24	-Y25LF	2 X 25	2.500/63.50	2.500/63.50	WWWWW-25
-Y25	2 X 25	2.400/60.96	2.500/63.50	WWWWW-25	-Y26LF	2 X 26	2.600/66.04	2.600/66.04	WWWWW-26
-Y26	2 X 26	2.500/63.50	2.600/66.04	WWWWW-26	-Y27LF	2 X 27	2.700/68.58	2.700/68.58	WWWWW-27
-Y27	2 X 27	2.600/66.04	2.700/68.58	WWWWW-27	-Y28LF	2 X 28	2.800/71.12	2.800/71.12	WWWWW-28
-Y28	2 X 28	2.700/68.58	2.800/71.12	WWWWW-28	-Y29LF	2 X 29	2.900/73.66	2.900/73.66	WWWWW-29
-Y29	2 X 29	2.800/71.12	2.900/73.66	WWWWW-29	-Y30LF	2 X 30	3.000/76.20	3.000/76.20	WWWWW-30
-Y30	2 X 30	2.900/73.66	3.000/76.20	WWWWW-30	-Y31LF	2 X 31	3.100/78.74	3.100/78.74	WWWWW-31
-Y31	2 X 31	3.000/76.20	3.100/78.74	WWWWW-31	-Y32LF	2 X 32	3.200/81.28	3.200/81.28	WWWWW-32
-Y32	2 X 32	3.100/78.74	3.200/81.28	WWWWW-32	-Y33LF	2 X 33	3.300/83.82	3.300/83.82	WWWWW-33
-Y33	2 X 33	3.200/81.28	3.300/83.82	WWWWW-33	-Y34LF	2 X 34	3.400/86.36	3.400/86.36	WWWWW-34
-Y34	2 X 34	3.300/83.82	3.400/86.36	WWWWW-34	-Y35LF	2 X 35	3.500/88.90	3.500/88.90	WWWWW-35
-Y35	2 X 35	3.400/86.36	3.500/88.90	WWWWW-35	66953-Y36LF	2 X 36	3.600/91.44	3.600/91.44	WWWWW-36
66953-Y36	2 X 36	3.500/88.90	3.600/91.44	WWWWW-36					

mat'l. code		surface / tolerance	projection	product family
ISO 1302		ISO 1101	ISO 1101	VCC
tolerances unless otherwise specified		title		
angles		INCH/MM		
0°±2'		scale 1:1		
dr M. FETROW		dwg no 66953 of 3 size A3		
enfr M. HAHN		VERT. CARD CONNECTOR		
chr M. HAHN		D/R .100/2.54 CC		
appd M. HAHN		type Product Customer Drawing		
sheet index	revision	sheet	sheet	sheet