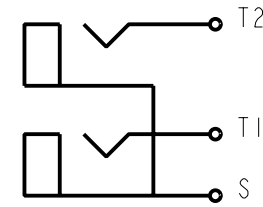
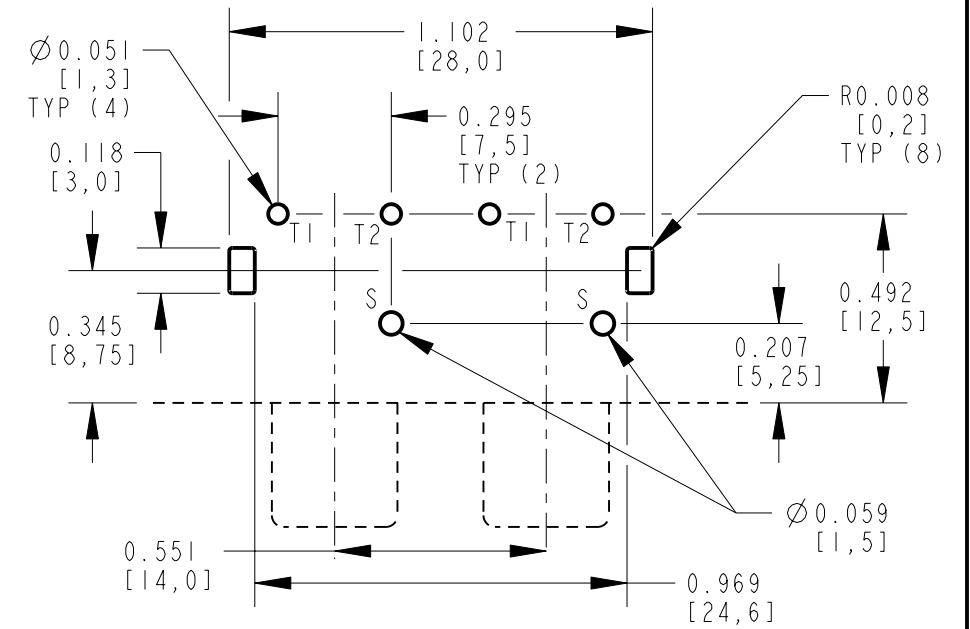


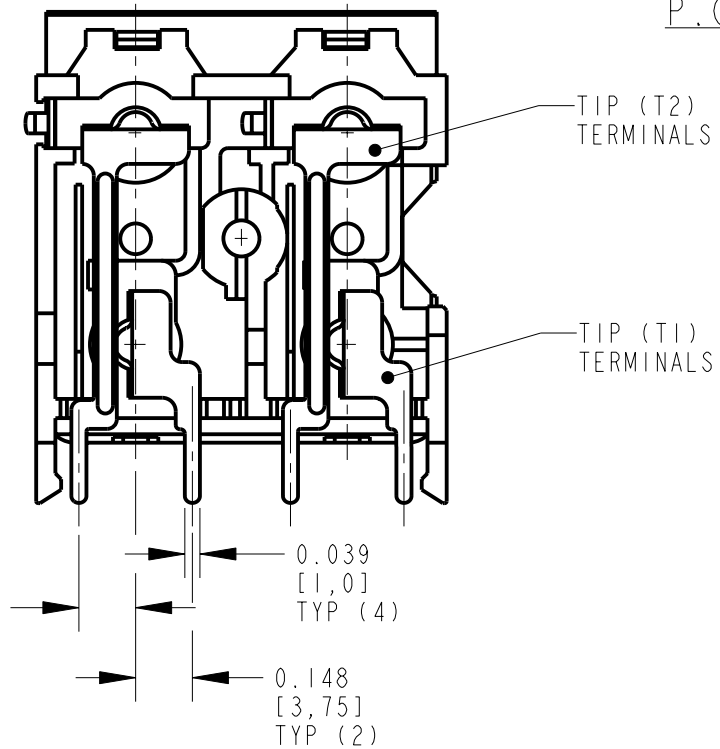
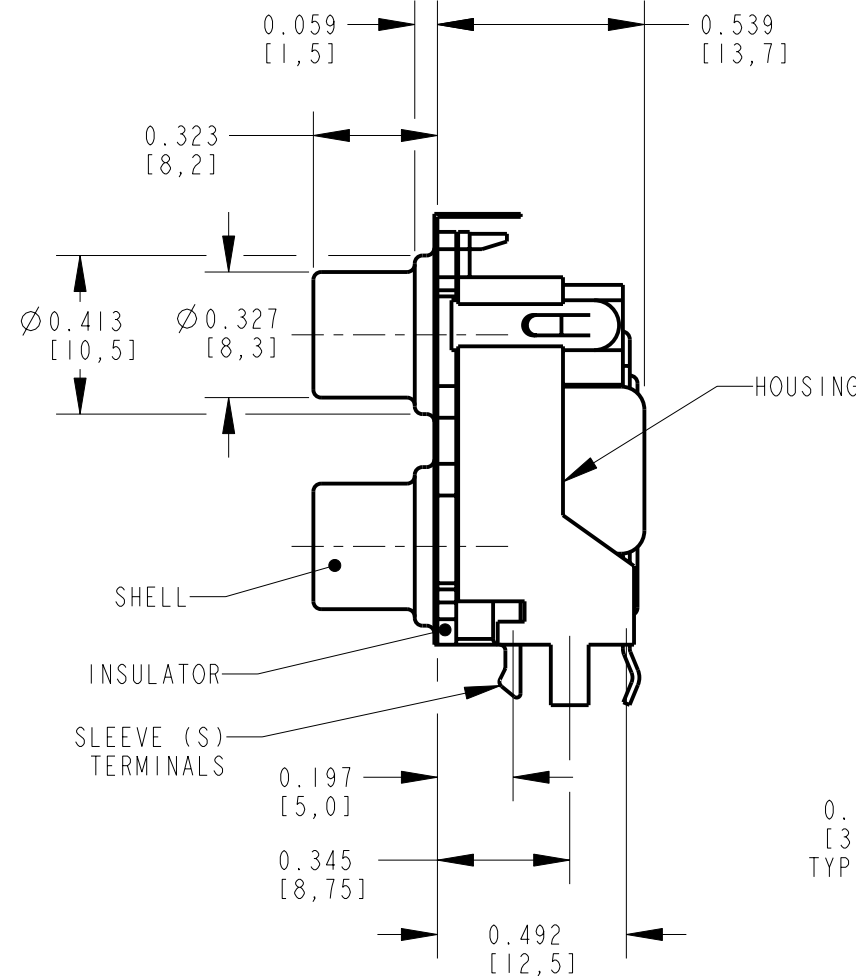
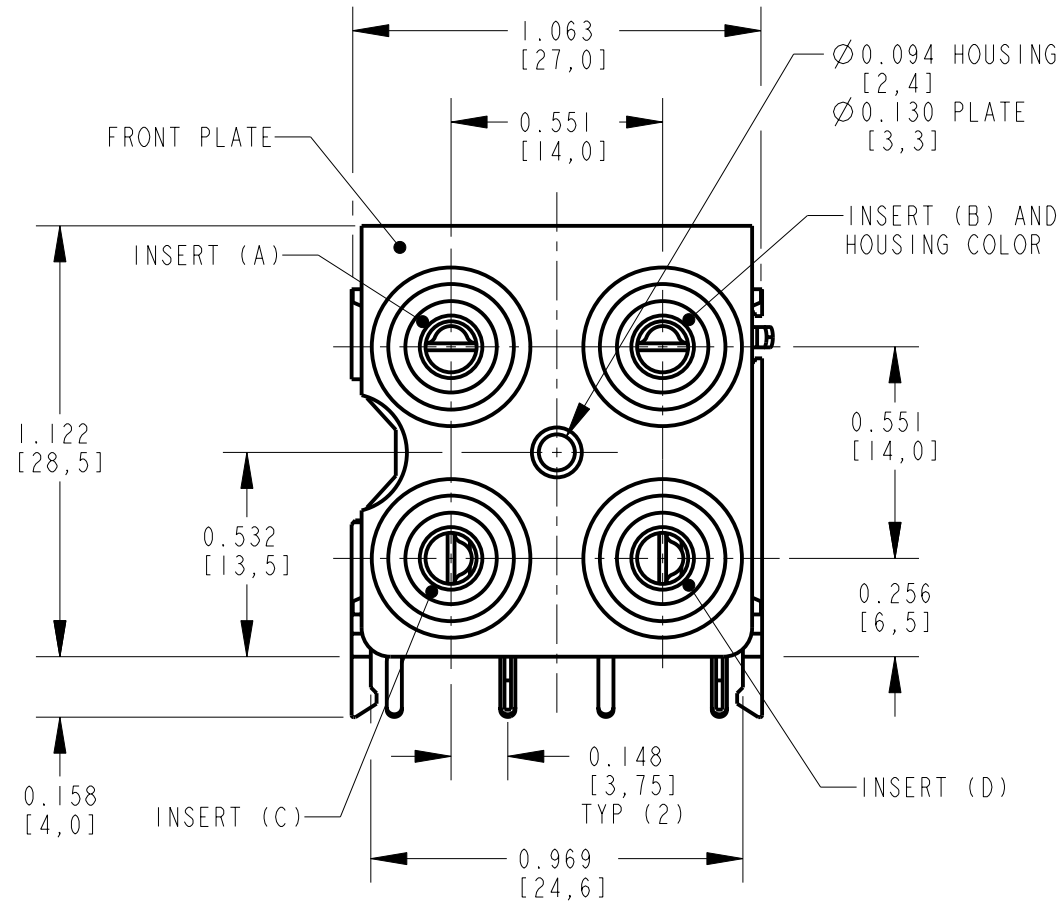
PART NUMBER	INSERT COLOR	INSERT COLOR	SHELL AND SLEEVE TERMINAL FINISH	TIP TERMINAL FINISH	FRONT PLATE FINISH
	A	B			
PJRAS2X2S01X	WHITE	WHITE	NICKEL PLATED	TIN PLATED	NICKEL PLATED
	RED	RED			
PJRAS2X2S01AUX	WHITE	WHITE	GOLD PLATED	TIN PLATED	NICKEL PLATED
	RED	RED			
PJRAS2X2S01AUALLX	WHITE	WHITE	GOLD PLATED	GOLD PLATED	GOLD PLATED
	RED	RED			



SCHEMATIC  
TYP (2) JACKS



P.C. BOARD LAYOUT  
COMPONENT SIDE



NOTES:

- ALL DIMENSIONS ARE REFERENCE.
- MATERIALS:  
HOUSING: ABS, UL-94HB  
COLOR INSERT: ABS, UL-94HB  
INSULATOR: ABS, UL-94HB  
SHELL & SLEEVE TERMINALS: COPPER ALLOY, SEE TABLE  
TIP TERMINALS: COPPER ALLOY, SEE TABLE  
FRONT PLATE: COPPER ALLOY, SEE TABLE
- THIS PART IS RoHS COMPLIANT

CUSTOMER DRAWING

					★ STAR SYMBOL DENOTES CRITICAL DIMENSION	THIS DRAWING DESCRIBES A DESIGN CONSIDERED PROPRIETARY IN NATURE, DEVELOPED AND MANUFACTURED BY SWITCHCRAFT INC. AND IS RELEASED ON A CONFIDENTIAL BASIS FOR IDENTIFICATION PURPOSES ONLY.					
					UNLESS OTHERWISE SPECIFIED	SIZE	WIDTH	MULT	LBS/M	TEMPER	
					1. ALL DIMENSIONS IN INCHES - TWO PLACE DECIMALS ±0.01 - THREE PLACE DECIMALS ±0.005 - ANGLES ±1° - ALL DIA. CONCENTRIC WITHIN 0.005 T.I.R.	FINISH		MATERIAL			
					2. FEATURES ON THE SAME CENTERLINE MUST BE ALIGNED WITHIN ±0.002	SPEC No.		SPEC No.			
					3. REMOVE ALL BURRS	FIRST USED ON		SCALE			
A	25181	1-13-06	JL	TJK	DATE DRAWN		BY	CHKD	APVD	<b>Switchcraft</b> <sup>®</sup>	
REV	ECO NUMBER	DATE	BY	APVD	13-Jan-06	JL	TJK	1-13-06	TJK		SHEET   OF
REVISIONS					DO NOT SCALE DRAWING					NAME	
					PHONO JACK, RIGHT ANGLE, 4 POS SCREW MOUNT, SHIELDED, RoHS					PART No. PJRAS2X2S_-X SERIES	
										REV A	

# Mouser Electronics

Authorized Distributor

Click to View Pricing, Inventory, Delivery & Lifecycle Information:

[Switchcraft:](#)

[PJRAS2X2S01X](#) [PJRAS2X2S01AU](#) [PJRAS2X2S01AUX](#)