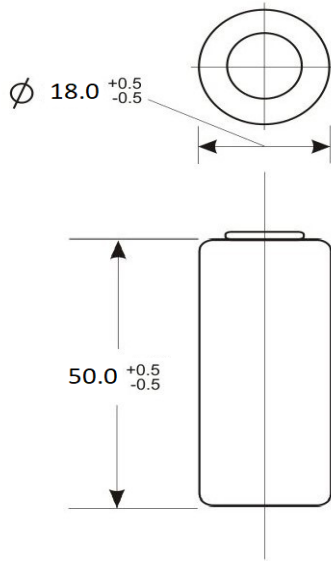


QBAT INDUSTRIAL ICR18500 1700mAh

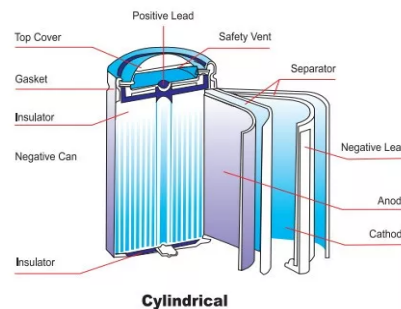
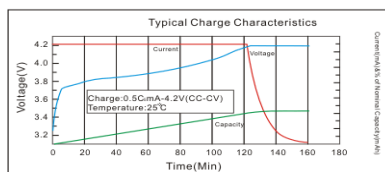
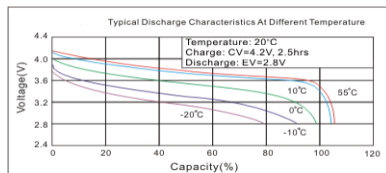
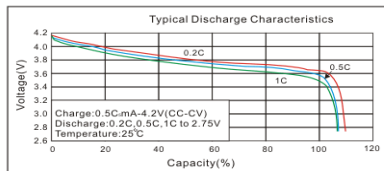
Li-ion Cylindrical Battery

Size: 18500

Typical Characteristics



QBAT INDUSTRIAL ICR18500 1700mAh			
Specifications			
Nominal Voltage (V)		3.6V	
Capacity	Discharge rate	C/5	1C
	Nominal (mAh)	1650	1570
	Typical (mAh)	1700	1620
Dimension	Diameter (mm)	$18.0^{+0.5}_{-0.5}$	
	Height (mm)	$65.0^{+0.5}_{-0.5}$	
Charging	Standard	170 mA x 15 hrs	
	Quick	1700 mA x 1.2 hrs $T_{max}=45^{\circ}C \quad -\Delta V = 5\sim 8mV$	
Operating Temperature ($^{\circ}C$)	Standard Charging	$0 \sim 45^{\circ}C$	
	Quick Charging	$10 \sim 40^{\circ}C$	
	Discharging	$-20 \sim 60^{\circ}C$	
	Storage	$-20 \sim 35^{\circ}C$	
Internal Resistance		$\leq 52m \text{ Ohm}$ (upon 50% discharge)	
Weight		Approx.38g	
Cuff-off Voltage (V)		2.8	



The data shown is correct at a temperature of 20±5°C Shutdown at $-\Delta V = 15mV$, after reaching 120% of the rated capacity or at a temperature above 55°C