

Figure 13 Part # LPF-S014331S

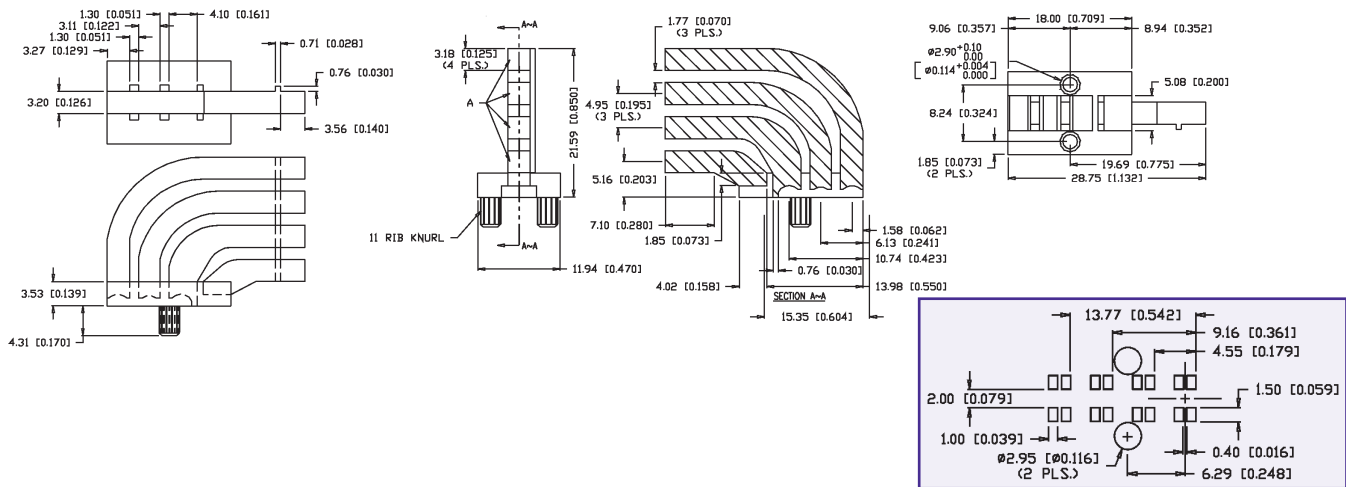


Figure 14 Part # LPF-C041304S

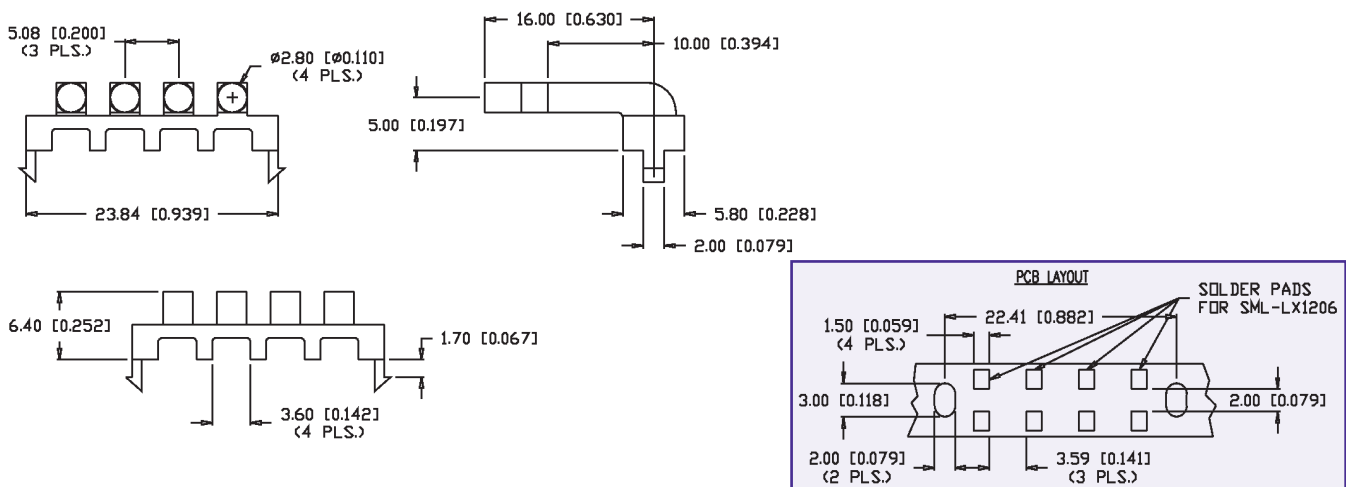
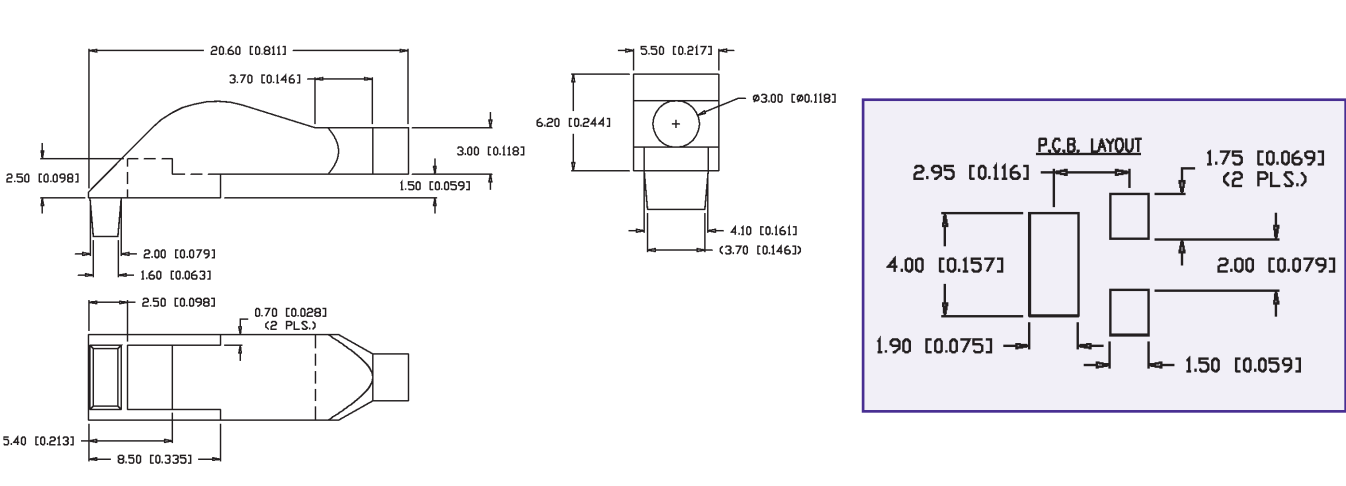


Figure 15 Part # LPF-C011301S



Mouser Electronics

Authorized Distributor

Click to View Pricing, Inventory, Delivery & Lifecycle Information:

Lumex:

[LPF-S014331S](#) [LPF-C011301S](#)