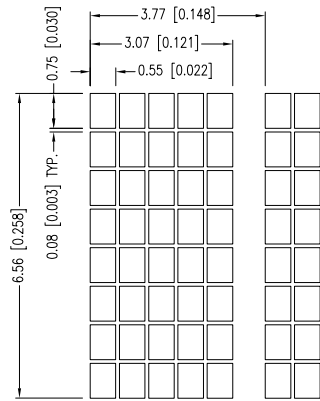
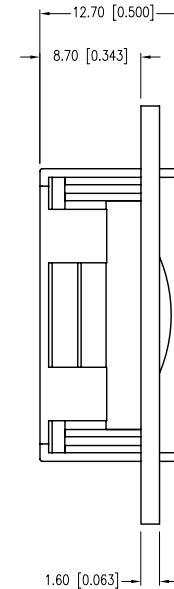
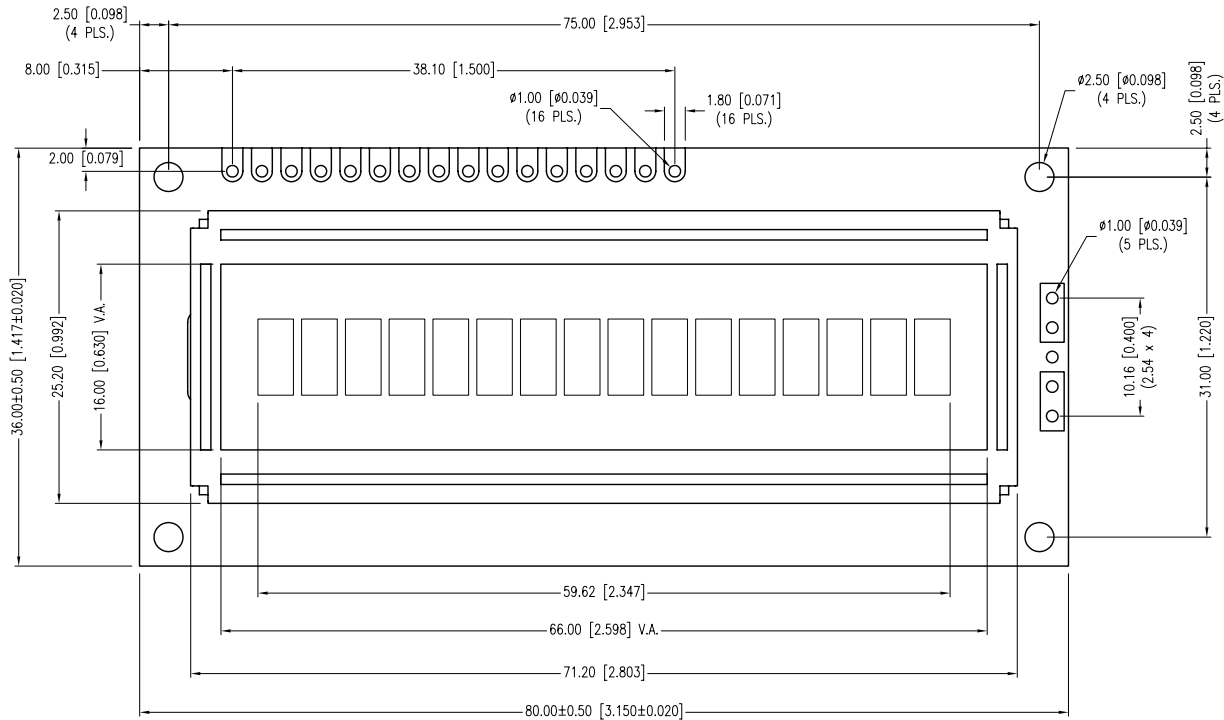
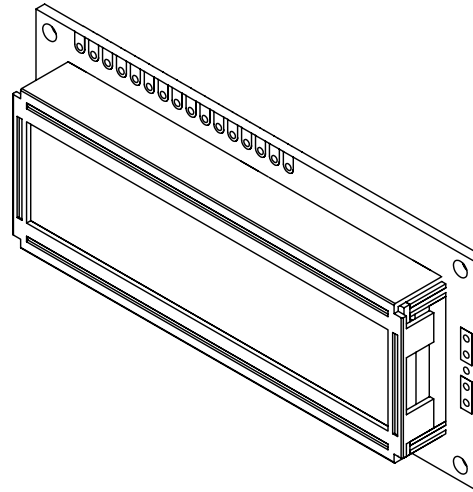


CHARACTER DETAIL



CAUTION: STATIC SENSITIVE DEVICE  
 FOLLOW PROPER E.S.D. HANDLING PROCEDURES  
 WHEN WORKING WITH THIS PART.



\*UNLESS OTHERWISE SPECIFIED TOLERANCES PER DECIMAL PRECISION ARE: X=±1 (±0.039), X.X=±0.5 (±0.020), X.XX=±0.25 (±0.010), X.XXX=±0.127 (±0.005). LEAD SIZE=±0.05 (±0.002), LEAD LENGTH=±0.75 (±0.030). MIN.= +DECIMAL PRECISION -0.00 DECIMAL PRECISION MAX.= +0.00 DECIMAL PRECISION



290 E. HELEN ROAD  
 PALATINE, IL 60067-6976  
 PHONE: +1.847.359.2790  
 FAX: +1.847.359.6538  
 WEB: WWW.LUMEX.COM

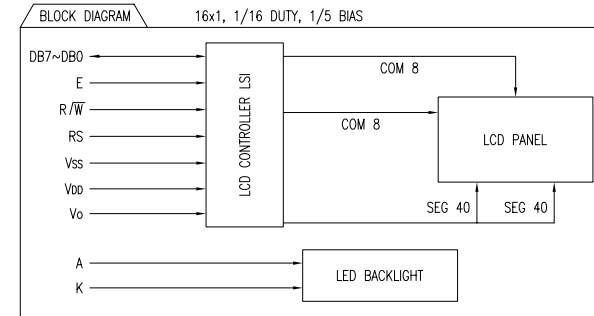
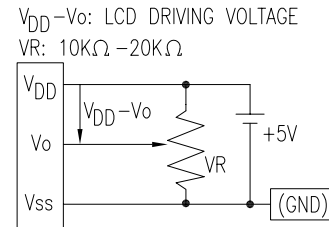
6.56mm CHAR HEIGHT, 5x8 DOT MATRIX, 16x1 LCD MODULE, 1/16 DUTY, 1/5 BIAS, YELLOW STN, LED BKLT.

\*\*THE SPECIFICATIONS MAY CHANGE AT ANY TIME WITHOUT NOTICE DUE TO NEW MATERIALS OR PRODUCT IMPROVEMENT.\*\*

CONFIDENTIAL INFORMATION  
 THE INFORMATION CONTAINED IN THIS DOCUMENT IS THE PROPERTY OF LUMEX INC. EXCEPT AS SPECIFICALLY AUTHORIZED IN WRITING BY LUMEX INC., THE HOLDER OF THIS DOCUMENT SHALL  
 KEEP ALL INFORMATION CONTAINED HEREIN CONFIDENTIAL AND SHALL PROTECT SAME IN WHOLE OR IN PART FROM DISCLOSURE AND DISSEMINATION TO ALL THIRD PARTIES.

DATE:	03.06.12	DRAWN BY:	AB
PAGE:	1 OF 2	CHKD BY:	KF
SCALE:	NTS	APRVD BY:	KF
UNIT:	mm [INCH]		Ⓟ

PIN CONFIGURATION			
PIN NO.	SYMBOL	LEVEL	FUNCTION
1	Vss	-	POWER SUPPLY GND (0V) 5V FOR LCD DRIVE
2	Vdd	-	
3	Vo	-	
4	RS	H/L	REGISTER SELECT SIGNAL H: DATA INPUT L: INSTRUCTION INPUT
5	R/W	H/L	H: DATA READ (MODULE-->MPU) L: DATA WRITE (MODULE<--MPU)
6	E	H,H->L	ENABLE
7~14	DB0~DB7	H/L	DATA BUS--SOFTWARE SELECTABLE 4 OR 8 BIT MODE
15	A	-	LED BACKLIGHT
16	K	-	LED BACKLIGHT



ELECTRICAL CHARACTERISTICS  $V_{DD}=4.7V$  to  $5.3V$ ,  $T_a=25^\circ C$

ITEM	SYMBOL	CONDITION	STANDARD VALUE			UNIT
			MIN	TYP	MAX	
SUPPLY VOLTAGE FOR LOGIC	$V_{DD}-V_{SS}$	-	-	5.0	-	V
SUPPLY CURRENT FOR LOGIC	$I_{DD}$	$V_{DD}=5V$	-	1.6	2.5	mA
INPUT VOLTAGE	HIGH	$V_{IH}$	-	2.2	-	$V_{DD}$ V
	LOW	$V_{IL}$	-	0	-	0.6 V
OUTPUT VOLTAGE	HIGH	$V_{OH}$	-	2.4	-	V
	LOW	$V_{OL}$	-	-	0.4	V
LED BACKLIGHT	VOLTAGE	$V_f$	$I_f=150mA$	-	4.2	4.6 V
	CURRENT	$I_f$	-	-	150	200 mA
	POWER CONSUMPTION	PD	-	-	630	- mW
	LUMINOUS	L	$I_f=150mA$	70	-	- cd/m <sup>2</sup>
COLOR	-	-	-	-	-	nm

ABSOLUTE MAXIMUM RATINGS

ITEM	SYMBOL	TEST CONDITION	STANDARD VALUE		UNIT
			MIN	MAX	
SUPPLY VOLTAGE FOR LOGIC	$V_{DD}-V_{SS}$	$T_a=25^\circ C$	4.7	5.3	V
SUPPLY VOLTAGE FOR LCD DRIVE	$V_{DD}-V_o$	-	4.2 AT 50°C	4.8 AT 0°C	V
INPUT VOLTAGE	$V_i$	$T_a=25^\circ C$	$V_{SS}$	$V_{DD}$	V
OPERATING TEMPERATURE	$T_{opr}$	LCM-S	0	+50	°C
STORAGE TEMPERATURE	$T_{stg}$	LCM-S	-20	+70	°C

\*UNLESS OTHERWISE SPECIFIED TOLERANCES PER DECIMAL PRECISION ARE: X=±1 (±0.039), X.X=±0.5 (±0.020), X.XX=±0.25 (±0.010), X.XXX=±0.127 (±0.005). LEAD SIZE=±0.05 (±0.002), LEAD LENGTH=±0.75 (±0.030). MIN= <sup>+DECIMAL PRECISION</sup> -0.00 MAX.= <sup>+0.00</sup> -DECIMAL PRECISION

290 E. HELEN ROAD  
 PALATINE, IL 60067-6976  
 PHONE: +1.847.359.2790  
 FAX: +1.847.359.6538  
 WEB: WWW.LUMEX.COM

6.56mm CHAR HEIGHT, 5x8 DOT MATRIX, 16x1 LCD MODULE, 1/16 DUTY, 1/5 BIAS, YELLOW STN, LED BKL.

\*\*THE SPECIFICATIONS MAY CHANGE AT ANY TIME WITHOUT NOTICE DUE TO NEW MATERIALS OR PRODUCT IMPROVEMENT.\*\*

CONFIDENTIAL INFORMATION  
 THE INFORMATION CONTAINED IN THIS DOCUMENT IS THE PROPERTY OF LUMEX INC. EXCEPT AS SPECIFICALLY AUTHORIZED IN WRITING BY LUMEX INC., THE HOLDER OF THIS DOCUMENT SHALL KEEP ALL INFORMATION CONTAINED HEREIN CONFIDENTIAL AND SHALL PROTECT SAME IN WHOLE OR IN PART FROM DISCLOSURE AND DISSEMINATION TO ALL THIRD PARTIES.

DATE:	03.06.12	DRAWN BY:	AB
PAGE:	2 OF 2	CHKD BY:	KF
SCALE:	NTS	APRVD BY:	KF
UNIT:	mm [INCH]		

# Mouser Electronics

Authorized Distributor

Click to View Pricing, Inventory, Delivery & Lifecycle Information:

[Lumex:](#)

[LCM-S01601DSF-Y](#)