

## FEATURES

- 316 Stainless Steel hose nipple, fully threaded
- 150 lb fitting
- Screwed BSPT (Tapered) connection
- Barbed hose tail connection
- Various sizes, from 3/8" (9.5 mm) up to 2" (51 mm)

## RS PRO Stainless Steel Hexagon Hose Nipple 1-1/4in R(T) Male Male 2.76in

RS Stock No.: 499-3782



RS Professionally Approved Products bring to you professional quality parts across all product categories. Our product range has been tested by engineers and provides a comparable quality to the leading brands without paying a premium price.

## Product Description

Brought to you by RS Pro, a series of stainless steel threaded fittings, suitable for applications requiring a secure and reliable pipe connection. Heavily used within the plumbing industry, water and gas will flow through in a tightly sealed construction. These pipe fittings are made from a durable 316 stainless steel material and are available in various sizes to make sure there's a perfect fit. All models are highly reliable and excellent quality.

## General Specifications

<b>Connection 1</b>	1-1/4 in R Male
<b>Connection 2</b>	32mm Barbed Male
<b>Shape</b>	Hexagon
<b>Fitting Type</b>	Hose Nipple
<b>Thread Size 1</b>	1-1/4in
<b>Connection Gender 1</b>	Male
<b>Connection Gender 2</b>	Male
<b>Thread Standard 1</b>	R (taper)
<b>Material</b>	S/S 316
<b>Application</b>	All throughout the home (bathroom, kitchen etc.)Any building with running water, heating or gas; Sewage and underground networks; Ships and boats; Car engines

## Mechanical Specifications

<b>Length</b>	2.76in
---------------	--------



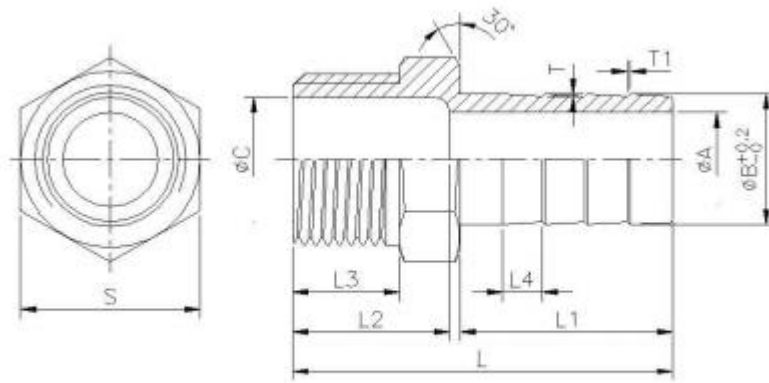


Figure 1

A	B	C	L	L1	L2	L3	L4	S	T	T1	Weight (kg)
26.5	32	34	70	37	28	22	7.1	45	0.5	0.5	N/A