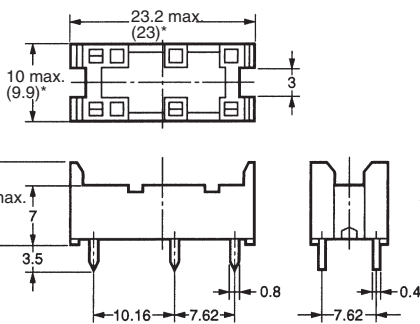
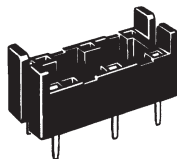
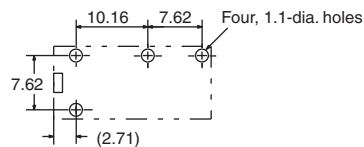


Accessories

Back Connecting Socket P6B-04P

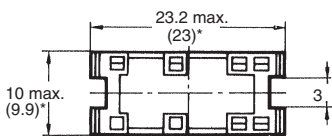
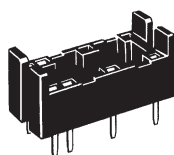


Mounting Holes (Bottom View)

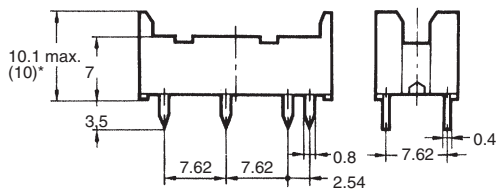
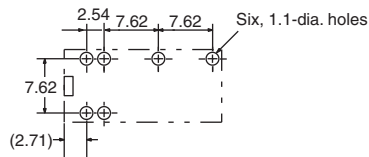


*Average value

P6B-06P

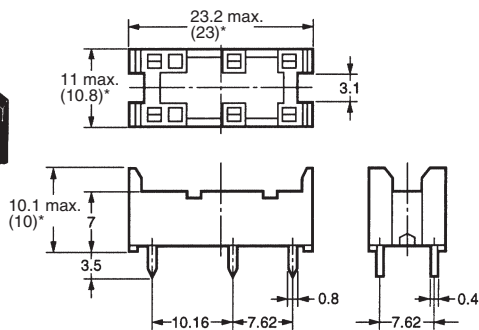
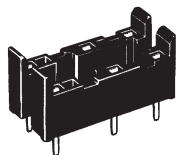


Mounting Holes (Bottom View)

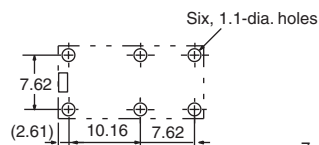


*Average value

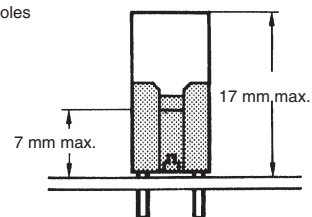
P6B-26P



Mounting Holes (Bottom View)



Mounting Height of Relay with Connecting Socket

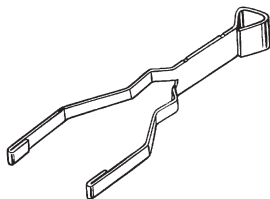


Note: Rated current of socket is 5 A max.

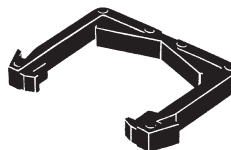
Note: Height of G6B-1174P-US is 19.5 mm max.

*Average value

Removal Tool P6B-Y1



Hold-down Clips P6B-C2



Note: P6B-C2 Hold-down Clips cannot be used for G6B-1174P-US.