

REV.	DESCRIPTION	DRAWN	CHECKED	APPROVED
A	NEW RELEASE	YCH 09/07/10'	~	

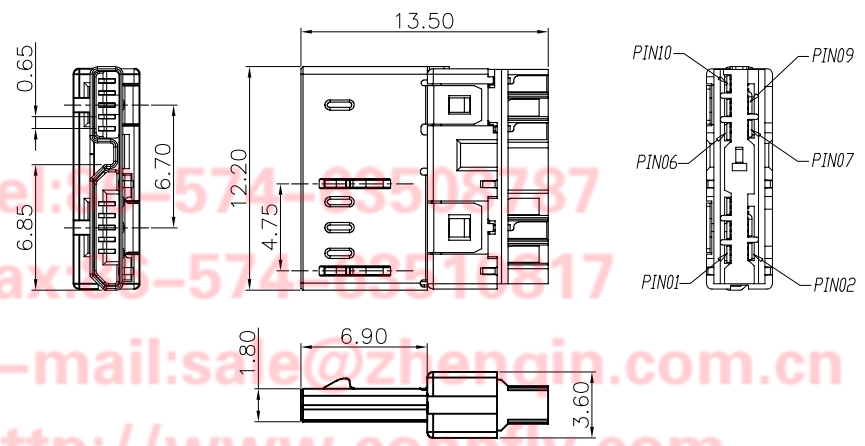
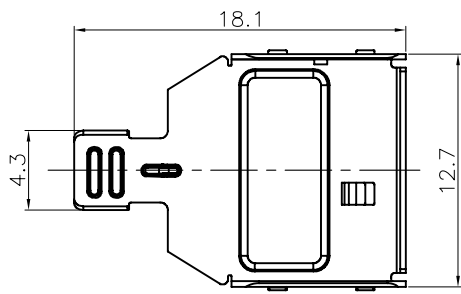
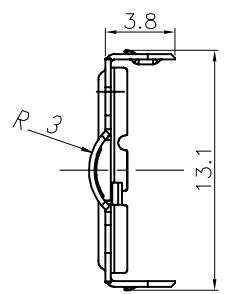
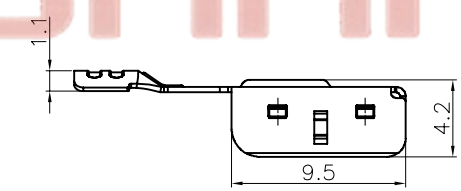
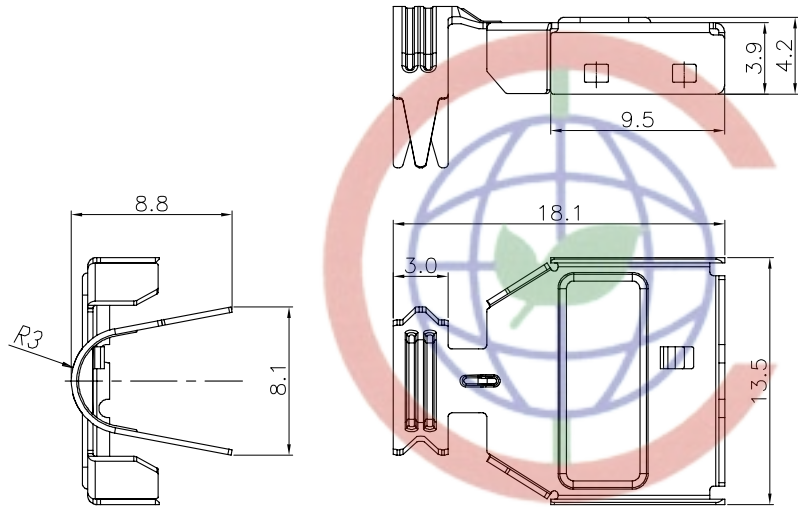
NOTES:


- 1.1 INSULATOR RESISTANCE: 100MΩ Min. AT 100V DC.
- 1.2 CURRENT RATING: 1.8A FOR PIN1 AND PIN4.
0.25A FOR ALL OTHER PINS.
- 1.3 DIELECTRIC STRENGTH: AC 100V FOR 1 Minute.
- 1.4 HOUSING: THERMOPLASTIC (UL 94-0).
- 1.5 CONTACT: COPPER ALLOY
- 1.6 SHELL: COPPER ALLOY.
- 1.7 PRODUCT NUMBER CODE:
DS1105-02 - X X X

CONTACT PLATED:
 0: Selective Gold Flash
 C: 3u" Gold
 3: 30u" Gold

SHELL PLATED:
 N: Nickel
 6: Tin

COLOR OF HOUSING:
 L: Blue
 W: White
 B: Black



GENERAL TOLERANCE		ANGLE TOLERANCE		PROJECTION	TITLE	MICRO USB 3.0 MALE	
X.	±0.60	X.	±5°	mm		10P SOLDER TYPE	
.X	±0.38	.X	±3°	SHEET SIZE	A4	SERIES	DS1105-02 SERIES
.XX	±0.25	.XX	±2°	 晨翔电子有限公司 CONNFLY CONNFLY ELECTRONIC CO. LTD			
DRAWING TYPE		CUSTOMER					
SCALE	1:1	SHEET	1 OF 1				
DRAWING NO.		C-DS1105-02-XXX					