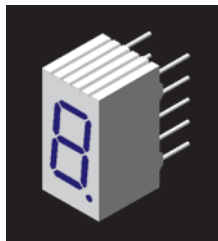


LED Displays ~ Seven Segment ~ Numeric



Single Digit



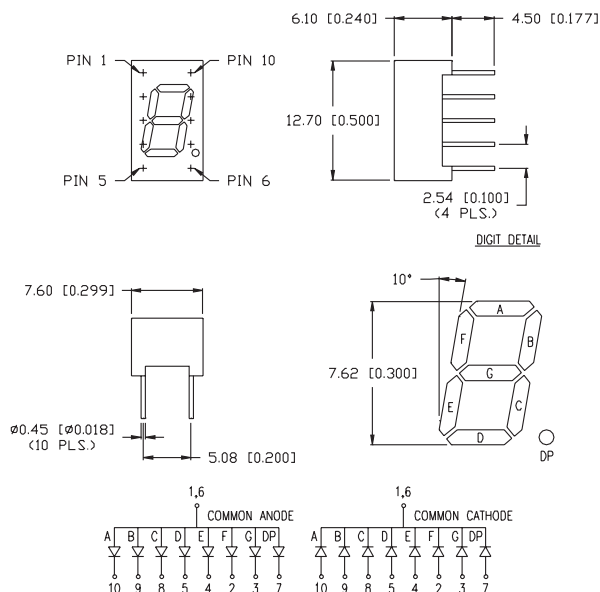
Features/Options

- ▶ Standard and high brightness chips
- ▶ Intensity grading available
- ▶ Custom sizes at minimal tooling
- ▶ Face and segment off colors in grey and milky white

Applications/Uses

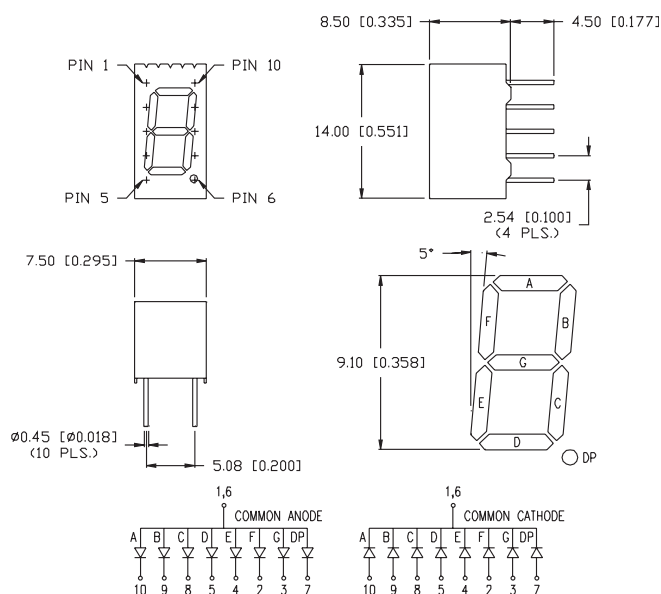
- ▶ Test instruments
- ▶ Diagnostic equipment
- ▶ Instrument and control panels
- ▶ Monitoring displays

0.30" single digit



Part Number	Wave Length (nm)	Brightness (µcd) @ 10mA	Vf (typ) 10mA	Vf (max) 10mA	Emitted Color	Polarity (common)
LDS-A352RI	565	2500	2.2	2.6	Green	Anode
LDS-A354RI	635	2500	2.0	2.5	Red	Anode
LDS-A356RI	660	8000	1.7	2.2	Red	Anode
LDS-A352RI-SUG	574	7000	2.2	2.6	Green	Anode
LDS-A354RI-SI	636	15000	2.0	2.6	Red	Anode
LDS-A357RI-USB	470	6000	3.5	4.0	Blue	Anode
LDS-C352RI	565	2500	2.2	2.6	Green	Cathode
LDS-C354RI	635	2500	2.0	2.5	Red	Cathode
LDS-C356RI	660	8000	1.7	2.2	Red	Cathode
LDS-C352RI-SUG	574	7000	2.2	2.6	Green	Cathode
LDS-C354RI-SI	636	15000	2.0	2.6	Red	Cathode
LDS-C357RI-USB	470	6000	3.5	4.0	Blue	Cathode

0.36" single digit



Part Number	Wave Length (nm)	Brightness (µcd) @ 10mA	Vf (typ) 10mA	Vf (max) 10mA	Emitted Color	Polarity (common)
LDS-A322RI	565	2500	2.2	2.6	Green	Anode
LDS-A324RI	635	2500	2.0	2.5	Red	Anode
LDS-A326RI	660	8000	1.7	2.2	Red	Anode
LDS-A322RI-SUG	574	7000	2.2	2.6	Green	Anode
LDS-A324RI-SI	636	15,000	2.0	2.6	Red	Anode
LDS-A327RI-USB	470	6000	3.5	4.0	Blue	Anode
LDS-C322RI	565	2500	2.2	2.6	Green	Cathode
LDS-C324RI	635	2500	2.0	2.5	Red	Cathode
LDS-C326RI	660	8000	1.7	2.2	Red	Cathode
LDS-C322RI-SUG	574	7000	2.2	2.6	Green	Cathode
LDS-C324RI-SI	636	15,000	2.0	2.6	Red	Cathode
LDS-C327RI-USB	470	6000	3.5	4.0	Blue	Cathode



USA/Canada +1-800-278-5666
 Europe +49-6081-964380
 Asia +886-3-5821124



www.lumex.com



USA/Canada +1-847-359-8904
 Europe +49-6081-964381
 Asia +886-3-5821154

Mouser Electronics

Authorized Distributor

Click to View Pricing, Inventory, Delivery & Lifecycle Information:

[Lumex:](#)

[LDS-A352RI](#) [LDS-A354RI](#) [LDS-A326RI](#) [LDS-A356RI](#) [LDS-C354RI](#) [LDS-A322RI](#)