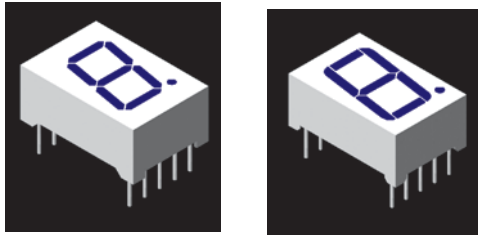


LED Displays ~ Seven Segment ~ Numeric



Single Digit



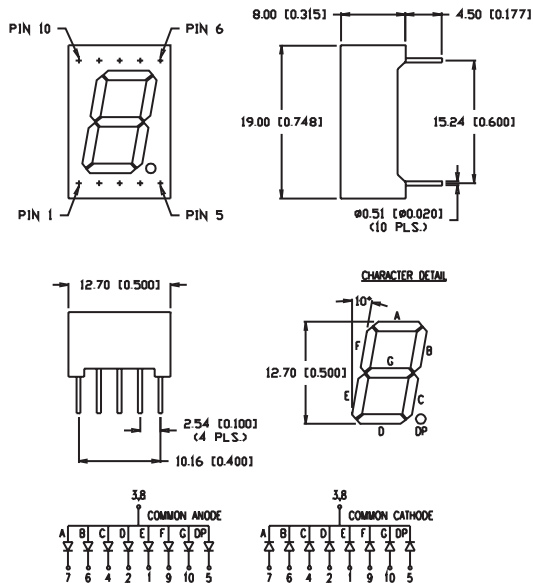
Features/Options

- ▶ Standard and high brightness chips
- ▶ Intensity grading available
- ▶ Custom sizes at minimal tooling
- ▶ Face and segment off colors in grey and milky white

Applications/Uses

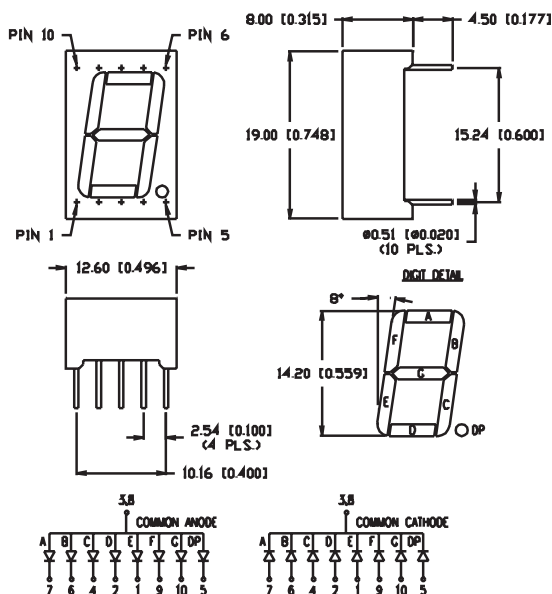
- ▶ Test instruments
- ▶ Diagnostic equipment
- ▶ Instrument and control panels
- ▶ Monitoring displays

0.50" single digit



Part Number	Wave Length (nm)	Brightness (μcd) @ 10mA	Vf (typ) 10mA	Vf (max) 10mA	Emitted Color	Polarity (common)
LDS-A502RI	565	2500	2.2	2.6	Green	Anode
LDS-A504RI	635	2500	2.0	2.5	Red	Anode
LDS-A506RI	660	8000	1.7	2.2	Red	Anode
LDS-A502RI-SUG	574	7000	2.2	2.6	Green	Anode
LDS-A504RI-SI	636	15,000	2.0	2.6	Red	Anode
LDS-A507RI-USB	470	6000	3.5	4.0	Blue	Anode
LDS-C502RI	565	2500	2.2	2.6	Green	Cathode
LDS-C504RI	635	2500	2.0	2.5	Red	Cathode
LDS-C506RI	660	8000	1.7	2.2	Red	Cathode
LDS-C502RI-SUG	574	7000	2.2	2.6	Green	Cathode
LDS-C504RI-SI	636	15,000	2.0	2.6	Red	Cathode
LDS-C507RI-USB	470	6000	3.5	4.0	Blue	Cathode

0.56" single digit



Part Number	Wave Length (nm)	Brightness (μcd) @ 10mA	Vf (typ) 10mA	Vf (max) 10mA	Emitted Color	Polarity (common)
LDS-A512RI	565	2500	2.2	2.6	Green	Anode
LDS-A514RI	635	2500	2.0	2.5	Red	Anode
LDS-A516RI	660	8000	1.7	2.2	Red	Anode
LDS-A512RI-SUG	574	7000	2.2	2.6	Green	Anode
LDS-A514RI-SI	636	15,000	2.0	2.6	Red	Anode
LDS-A517RI-USB	470	6000	3.5	4.0	Blue	Anode
LDS-C512RI	565	2500	2.2	2.6	Green	Cathode
LDS-C514RI	635	2500	2.0	2.5	Red	Cathode
LDS-C516RI	660	8000	1.7	2.2	Red	Cathode
LDS-C512RI-SUG	574	7000	2.2	2.6	Green	Cathode
LDS-C514RI-SI	636	15,000	2.0	2.6	Red	Cathode
LDS-C517RI-USB	470	6000	3.5	4.0	Blue	Cathode



USA/Canada +1-800-278-5666
Europe +49-6081-964380
Asia +886-3-5821124



www.lumex.com



USA/Canada +1-847-359-8904
Europe +49-6081-964381
Asia +886-3-5821154

Mouser Electronics

Authorized Distributor

Click to View Pricing, Inventory, Delivery & Lifecycle Information:

[Lumex:](#)

[LDS-A512RI](#) [LDS-A504RI](#) [LDS-A516RI](#) [LDS-C502RI](#) [LDS-C512RI](#) [LDS-A502RI](#)