

## FEATURES

- 316 Stainless Steel
- 150 lbs fitting
- BSPT tapered & BSPP parallel connections
- Various sizes available
- Octagan nipple (straight union)

# RS PRO Stainless Steel Octagan Straight Union 1/2in G(P) Female x 1/2in G(P) Female 1.52in

RS Stock No.: 499-3495



RS Professionally Approved Products bring to you professional quality parts across all product categories. Our product range has been tested by engineers and provides a comparable quality to the leading brands without paying a premium price.

## Product Description

Brought to you by RS Pro, a series of stainless steel threaded fittings, suitable for applications requiring a secure and reliable pipe connection. Heavily used within the plumbing industry, water and gas will flow through in a tightly sealed construction. These octagon nipple fittings are made from a durable 316 stainless steel to ensure a simple and secure connection for pipe and hose work. All models are highly reliable and excellent quality.

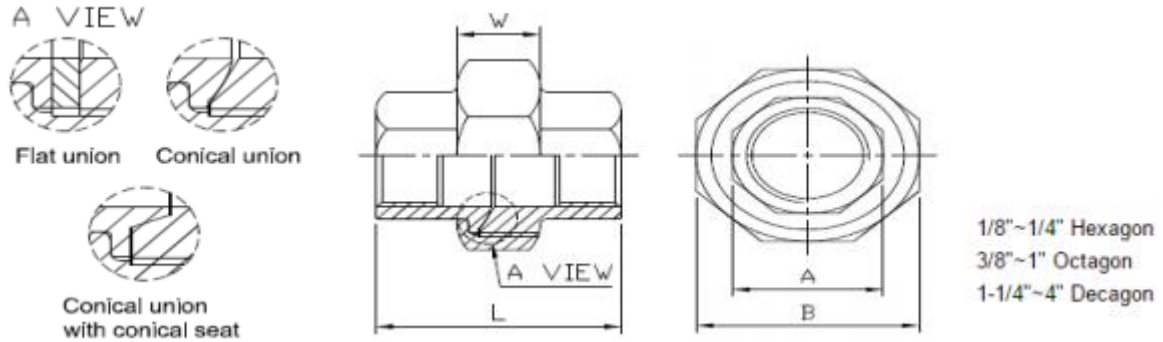
## General Specifications

<b>Connection 1</b>	1/2 in G Female
<b>Connection 2</b>	1/2 in G Female
<b>Shape</b>	Octagon
<b>Fitting Type</b>	Union
<b>Fitting Direction</b>	Straight
<b>Thread Size 1</b>	1/2in
<b>Thread Size 2</b>	1/2in
<b>Connection Gender 1</b>	Female
<b>Connection Gender 2</b>	Female
<b>Thread Standard 1</b>	G (parallel)
<b>Thread Standard 2</b>	G (parallel)
<b>Material</b>	316 Stainless Steel
<b>Application</b>	All throughout the home (bathroom, kitchen etc.) Any building with running water, heating or gas; Sewage and underground networks; Ships and boats; Car engines

## Mechanical Specifications

<b>Length</b>	1.52in
---------------	--------





### Standard Pattern

SIZE	1/8"		1/4"		3/8"		1/2"		3/4"		1"		1-1/4"		1-1/2"		2"		2-1/2"		3"		4"	
	mm	in	mm	in	mm	in	mm	in	mm	in	mm	in	mm	in	mm	in	mm	in	mm	in	mm	in	mm	in
L	34.5	1.36	34.5	1.36	37.6	1.48	38.6	1.52	44	1.73	51	2.01	58	2.28	59	2.32	61.5	2.42	71	2.8	90	3.54	97	3.82
A	17.2	0.68	17.5	0.69	20.5	0.81	26.5	1.04	31.2	1.23	38	1.5	47.5	1.87	54	2.13	67	2.64	83	3.27	96	3.78	122.5	4.82
B	28	1.1	28	1.1	34	1.34	39.2	1.54	46	1.81	55	2.17	63.2	2.49	71	2.8	85	3.35	105.5	4.15	123.7	4.87	153.5	6.04
W	12.2	0.48	12.2	0.48	15	0.59	15	0.59	15	0.59	17	0.67	20	0.79	20	0.79	20.8	0.82	24	0.94	28	1.1	33	1.3

Tolerance:  $\pm 0.5\text{mm}$  (1/8"~2")  
 $\pm 0.8\text{mm}$  (2-1/2"~4")

### Economic Pattern

SIZE	1/8"		1/4"		3/8"		1/2"		3/4"		1"		1-1/4"		1-1/2"		2"		2-1/2"		3"		4"	
	mm	in	mm	in	mm	in	mm	in	mm	in	mm	in	mm	in	mm	in	mm	in	mm	in	mm	in	mm	in
L	34.5	1.36	34.5	1.36	37.6	1.48	38.6	1.52	44	1.73	51	2.01	58	2.28	59	2.32	61.5	2.42	71	2.8	90	3.54	97	3.82
A	16.5	0.65	16.5	0.65	20	0.79	25	0.98	30	1.18	36	1.42	45	1.77	52	2.05	64	2.52	80	3.15	93	3.66	118	4.65
B	27	1.06	27	1.06	30	1.18	36	1.42	41	1.61	50	1.97	57.5	2.26	65	2.56	77	3.03	96	3.78	112	4.41	138	5.43
W	12.2	0.48	12.2	0.48	15	0.59	15	0.59	15	0.59	17	0.67	20	0.79	20	0.79	20.8	0.82	24	0.94	28	1.1	33	1.3

Tolerance:  $\pm 0.5\text{mm}$  (1/8"~2")  
 $\pm 0.8\text{mm}$  (2-1/2"~4")