

## FEATURES

- 316 Stainless Steel
- 150 lbs fitting
- BSPT tapered screw end
- Various sizes available
- S/40 pipe Hexagon plug

## RS PRO Stainless Steel Hexagon Plug 1/4in R(T) Male 0.71in

RS Stock No.: 499-3394



RS Professionally Approved Products bring to you professional quality parts across all product categories. Our product range has been tested by engineers and provides a comparable quality to the leading brands without paying a premium price.

## Product Description

Brought to you by RS Pro, a series of stainless steel threaded fittings, suitable for applications requiring a secure and reliable pipe connection. Heavily used within the plumbing industry, water and gas will flow through in a tightly sealed construction. These hexagon plug fittings are made from a durable 316 stainless steel to ensure a simple and secure connection for pipe and hose work. All models are highly reliable and excellent quality.

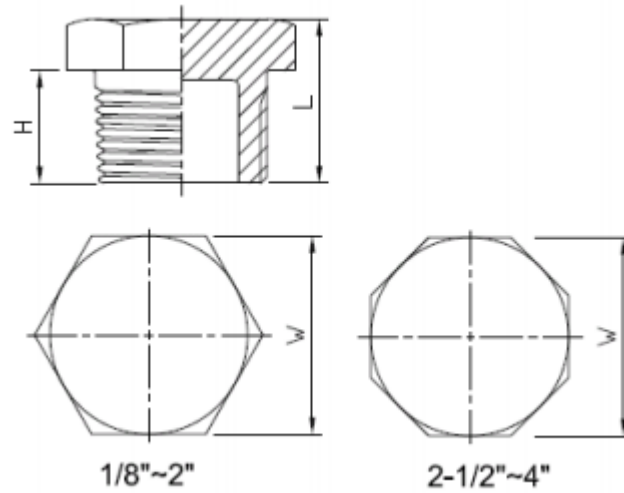
## General Specifications

<b>Connection 1</b>	1/4 in R Male
<b>Shape</b>	Hexagon
<b>Fitting Type</b>	Plug
<b>Thread Size 1</b>	1/4in
<b>Connection Gender 1</b>	Male
<b>Thread Standard 1</b>	R (taper)
<b>Material</b>	316 Stainless Steel
<b>Application</b>	All throughout the home (bathroom, kitchen etc.)Any building with running water, heating or gas; Sewage and underground networks; Ships and boats; Car engines

## Mechanical Specifications

<b>Length</b>	0.71in
---------------	--------





### Standard Pattern

SIZE	1/8"		1/4"		3/8"		1/2"		3/4"		1"		1-1/4"		1-1/2"		2"		2-1/2"		3"		4"	
	mm	in	mm	in	mm	in	mm	in	mm	in	mm	in	mm	in	mm	in	mm	in	mm	in	mm	in	mm	in
H	10.5	0.41	12	0.47	13.5	0.53	16	0.63	16.5	0.65	19	0.75	21	0.83	21	0.83	22.8	0.9	29	1.14	29.3	1.15	30.8	1.21
L	16.2	0.64	18	0.71	19.5	0.77	22.6	0.89	23.3	0.92	26.8	1.06	30.5	1.2	30.8	1.21	34	1.34	40.5	1.59	41.7	1.64	44.8	1.76
W	13.2	0.52	16.6	0.65	19.3	0.76	25.2	0.99	29.7	1.17	36.5	1.44	45.3	1.78	51.4	2.02	62.5	2.46	79.5	3.13	92	3.62	117.5	4.63

Tolerance:  $\pm 0.5\text{mm}$ (1/8"~2")

$\pm 0.8\text{mm}$ (2-1/2"~4")