



Series CMRD60

35-65Amp • 600 Vac • AC Output

- Zero Voltage Turn-On Switching
- DIN Rail & Panel Mount

Featuring state-of-the-art Surface Mount Technology, these SPST-NO relays deliver proven reliability in the most demanding applications. Output consists of an SCR AC switch and is available in zero-cross version.

Manufactured in Crydom's ISO 9002 Certified facility for optimum product performance and reliability.

MODEL NUMBERS	CMRD6035	CMRD6045	CMRD6055	CMRD6065
OUTPUT SPECIFICATIONS ①				
Nominal Line Voltage ($\pm 10\%$) [Vrms]	600	600	600	600
Operating Voltage (47-63 Hz) [Vrms]24-140	48-660	48-660	48-660	48-660
Max. Load Current @ 25°C Ambient Temperature [Arms]	35	45	55	65
Min. Load Current, [mArms]	0.15	0.15	0.25	0.25
Transient Overvoltage [Vpk]	1200	1200	1200	1200
Max. Surge Current, (16.6ms) [Apk]120	250	625	1000	1200
Max. On-State Voltage Drop @ Rated Current [Vpk]	1.7	1.7	1.7	1.7
Thermal Resistance Junction to Case ($R_{\theta JC}$) [°C/W]	1.02	0.63	0.31	0.28
Maximum $I^2 t$ for Fusing, (8.3 msec.) [$A^2 \text{sec}$]	260	1620	4150	6000
Max. Off-State Leakage Current @ Rated Voltage [mArms]	1	1	1	1
Min. Off-State dv/dt @ Max. Rated Voltage [V/ μsec]②	500	500	500	500
Max. Turn-On Time	1/2 Cycle (DC Control), 10.0 msec (AC Control)			
Max. Turn-Off Time	1/2 Cycle (DC Control), 40.0 msec (AC Control)			
Power Factor (Min.) with Max. Load	0.5	0.5	0.5	0.5

INPUT SPECIFICATIONS ①	DC CONTROL
Control Voltage Range	4-32 Vdc
Max. Reverse Voltage	32 Vdc
Max. Turn-On Voltage	4.0 Vdc
Min. Turn-Off Voltage	1.0 Vdc
Max. Input Current	30.0mA③
Typical Input Current	14mA @ 5 Vdc

GENERAL SPECIFICATIONS	
Dielectric Strength 50/60Hz Input/Output/Base	4000 Vrms
Insulation Resistance (Min.) @ 500 Vdc	10^9 Ohm
Max. Capacitance Input/Output	8 pF
Ambient Operating Temperature Range	-40 to 80°C
Ambient Storage Temperature Range	-40 to 125°C

MECHANICAL SPECIFICATIONS	
Weight: (typical)	9.2 oz. (260g)
Encapsulation:	Thermally Conductive Epoxy
Terminals:	Cage Type

©1998 CRYDOM CORP, Specifications subject to change without notice.

GENERAL NOTES

- ① All parameters at 25°C unless otherwise specified.
- ② Off-State dv/dt test method per EIA/NARM standard RS-443, paragraph 13.11.1
- ③ Input circuitry incorporates active current limiter.

For recommended applications and more information contact:

USA: (800) 8 CRYDOM • (800) 827-9366 • (619) 715-7200 • fax (619)715-7280
9525 Chesapeake Drive, San Diego, CA 92123 • e-mail: sales@crydom.com

WEB SITE: <http://www.crydom.com> FASTFAX Product Information: (888) 267-9191

UK: (0)1202 897969 • fax (0)1202 891918

7 Cobham Road, Ferndown Industrial Estate, Wimborne, Dorset, England BH21 7PE

GERMANY: (0)871 935405 • fax (0)871 935407, Aussere Parkstr.5, D-84032 Altdorf, Germany



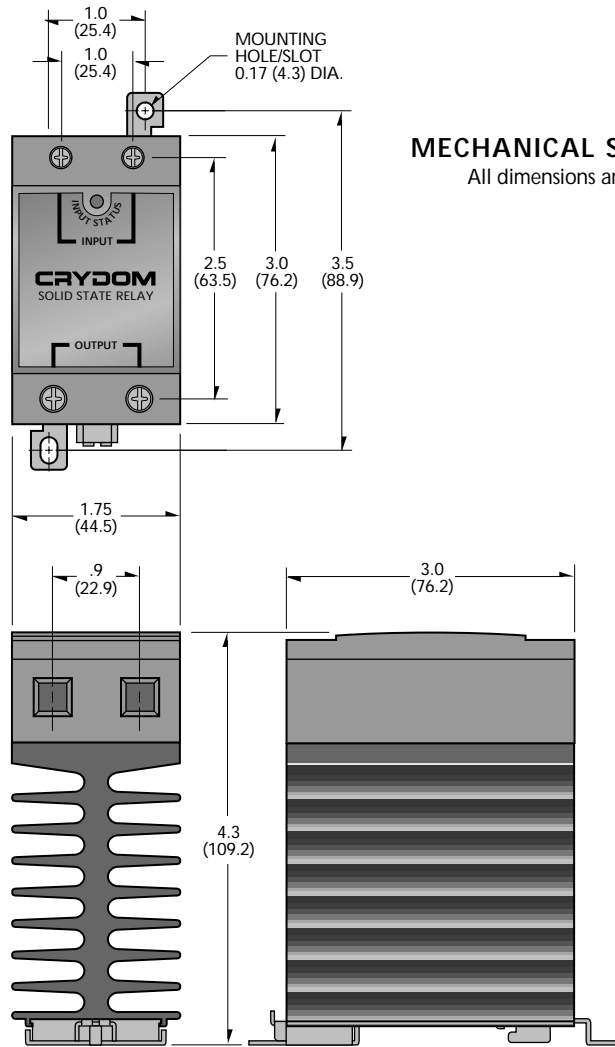


Series CMRD60

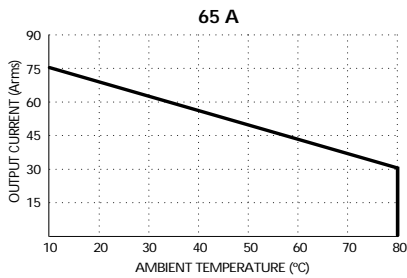
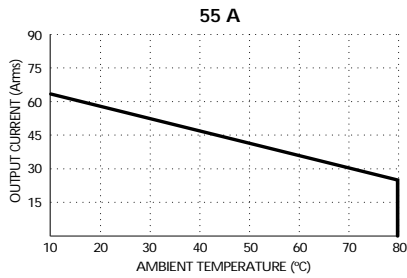
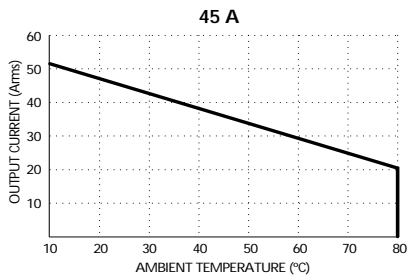
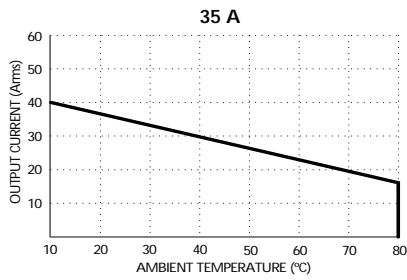
35-65Amp • 600 Vac • AC Output

MECHANICAL SPECIFICATIONS

All dimensions are in inches (millimeters)



CURRENT DERATING CURVES



APPROVALS

UL PENDING
 CSA PENDING
 VDE PENDING

