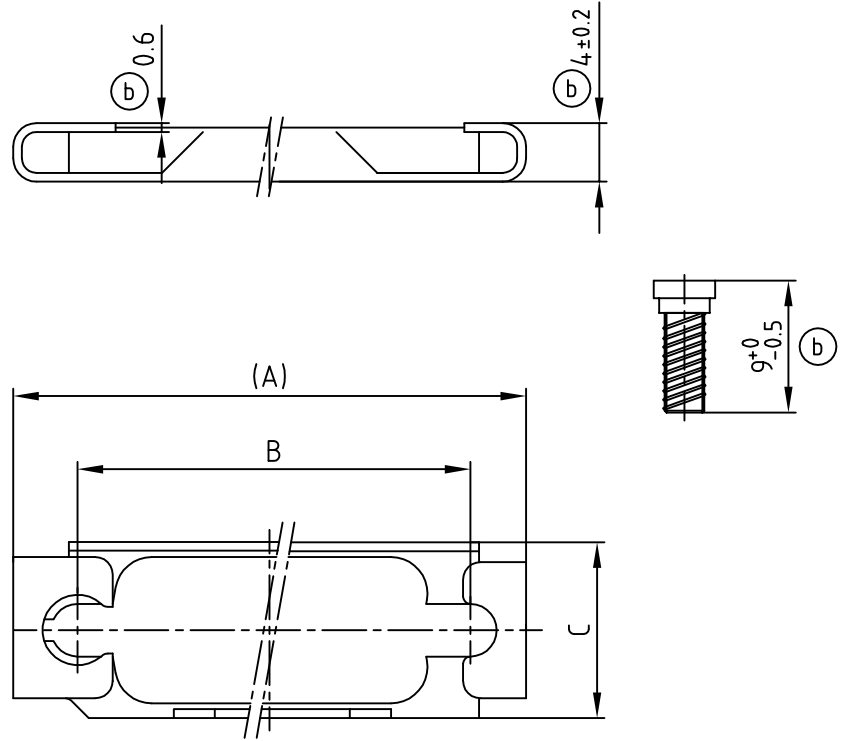


used for: D-SUB



(b) A set consists of:
1 frame
2 screws

(b) Material and plating:
frame - stainless steel
screws; 5-7µ Zn thickfilm passivated

No. of Pos.	(b) A	(b) B	(b) C	Part No.
9	35.0	27.4	12.0	160X10159X
15	43.3	35.7	11.5	160X10169X
25	57.0	49.4	12.0	160X10179X
37	74.4	65.9	12.0	160X10189X
50	72.0	63.5	15.0	160X10199X

Directive 2002/95/EC
„RoHS“
Compliant

THIS DRAWING MAY NOT BE COPIED OR REPRODUCED IN ANY WAY, AND MAY NOT BE PASSED ON TO A THIRD PARTY WITHOUT WRITTEN PERMISSION. OWNERSHIP AND COPYRIGHT OF CONEC GmbH DO NOT ALTER CAD DRAWING BY HAND

tolerance DIN ISO 2768-m				scale: 2:1	
2002		date		material: SEE NOTES	
drawn		12.03.		name	
appd.		12.03.		Schmidt	
norm				Mickenbecker	
d-old		KAT1X5A		title:	
8 x b		Ä 3055		14.07.2008	
a		Origin		Lehmen.	
rev.		description		date	
				name	



material: SEE NOTES

title: Slide-lock Typ 3
with locking bolt
9 - 50 pos.

dwg no: AutoCAD 2000 DIN-A
16K1A602 4

part no: SEE TABLE sh: 1/1

Mouser Electronics

Authorized Distributor

Click to View Pricing, Inventory, Delivery & Lifecycle Information:

[Amphenol:](#)

[160X10159X](#) [160X10169X](#) [160X10179X](#)