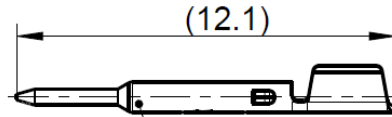
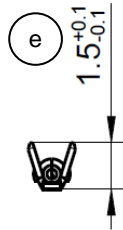


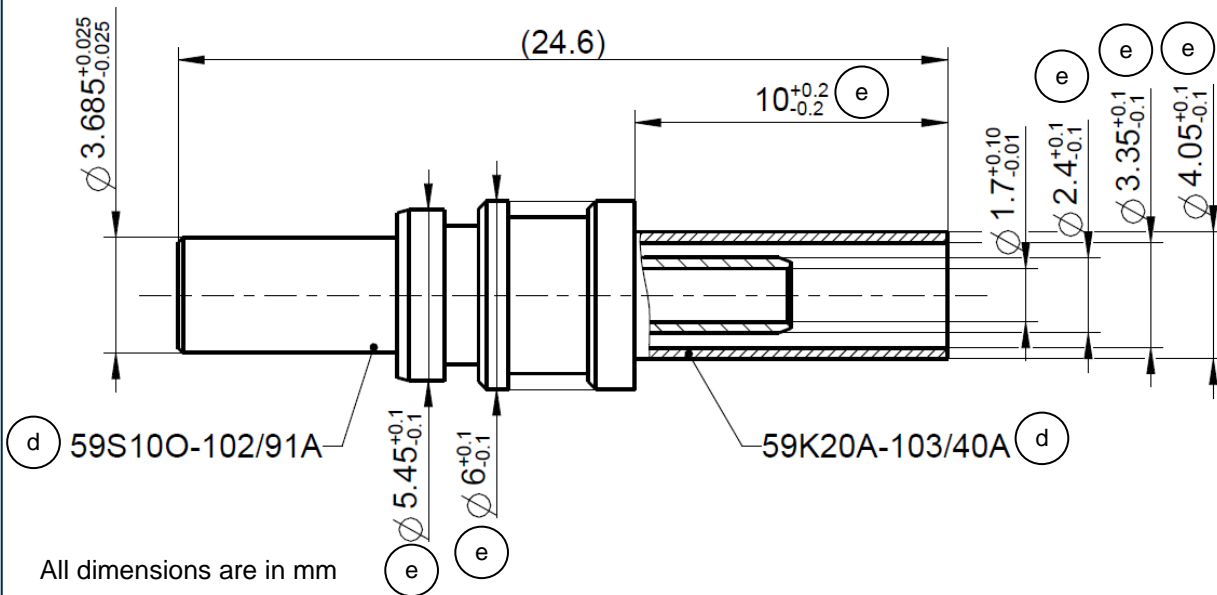
FAKRA -
HF

STRAIGHT PLUG

59S100-103A4



59S10L-102/20E (d)



All dimensions are in mm

Interface

According to

DIN 72594-1, USCAR 17

Documents

Assembly instruction

MA_59V058

Material and plating

Connector parts

Center contact
Outer contact
Dielectric
Crimping ferrule

Material

Spring bronze
Brass
PA 12
Copper

Plating

Gold, min. 0.8 μ m, over nickel
Nickel, 3-6 μ m
Nickel, 3-6 μ m

Electrical data

Impedance	50 Ω
Frequency	DC to 6 GHz
Return loss	≥ 30 dB, DC to 1 GHz ≥ 24 dB, DC to 3 GHz ≥ 15 dB, DC to 6 GHz
Insertion loss	≤ 0.1x √f(GHz)dB
Insulation resistance	≥ 1x10 ³ MΩ
Center contact resistance	≤ 5 mΩ
Outer contact resistance	≤ 5 mΩ
Test voltage	750 V rms
Working voltage	335 V rms
Power current	≤ 1 A DC
RF-leakage	≥ 65 dB up to 1 GHz

- Limitations are possible due to the used cable type -

Mechanical data

Mating cycles	≥ 25
Engagement force	≤ 25 N
Disengagement force	≥ 2 N

Environmental data

Temperature range	-40°C to +105°C
Thermal shock	DIN 72594-2 clause 8.2
Temperature and humidity	DIN 72594-2 clause 8.3
Vibration and mechanical shock	DIN 72594-2 clause 8.1
Dry heat	DIN 72594-2 clause 8.4

2002/95/EC (RoHS) compliant

Tooling

Crimping tool	11W150-000
Crimp insert outer contact	11W15B-503
Crimp insert center contact	11W161-800

Suitable cables

Cable type RG 179 B/U-d , Shikoku 1.5 DS- QFB - (TA) , RG 316 /U-d FEP ,
RG 316/ U-d LSZH
Sumitomo 1.5 DS-GXC-SP

Packing

Standard 10 / 500 / 5.000 / 20.000 pcs in box; center contact on reel
Weight 2.0 g/ pce

Dieses Dokument ist urheberrechtlich geschützt • This document is protected by copyright • Rosenberger Hochfrequenztechnik GmbH & Co. KG

RF_35/09_20/6.3

Change History

Rev.	Date	Change
c00	13.04.2013	Environmental data specification changed from 6.2 to 8.2, 6.3 to 8.3, 6.1 to 8.1, 6.4 to 8.4 and changed 2002/95/EC (RoHS) to RoHS Crimp insert outer contact changed from 11W150-308 to 11W15B-503
d00	15.04.2021	add component names
e00	29.09.2021	add general tolerances

Dieses Dokument ist urheberrechtlich geschützt • This document is protected by copyright • Rosenberger Hochfrequenztechnik GmbH & Co. KG

While the information has been carefully compiled to the best of our knowledge, nothing is intended as representation or warranty on our part and no statement herein shall be construed as recommendation to infringe existing patents. In the effort to improve our products, we reserve the right to make changes judged to be necessary.

For the installation of the electrotechnical equipment, particular electrotechnical expertise is required.



Draft	Date	Approved	Date	Rev.	Engineering change number	Name	Date
R. Bippus	19.01.07	J. Lamprecht	29.09.21	e00	21-1811	S. Guggenberger	29.09.21

RF_35/09_20/6.3

Mouser Electronics

Authorized Distributor

Click to View Pricing, Inventory, Delivery & Lifecycle Information:

[Rosenberger:](#)

[59S100-103A4](#)