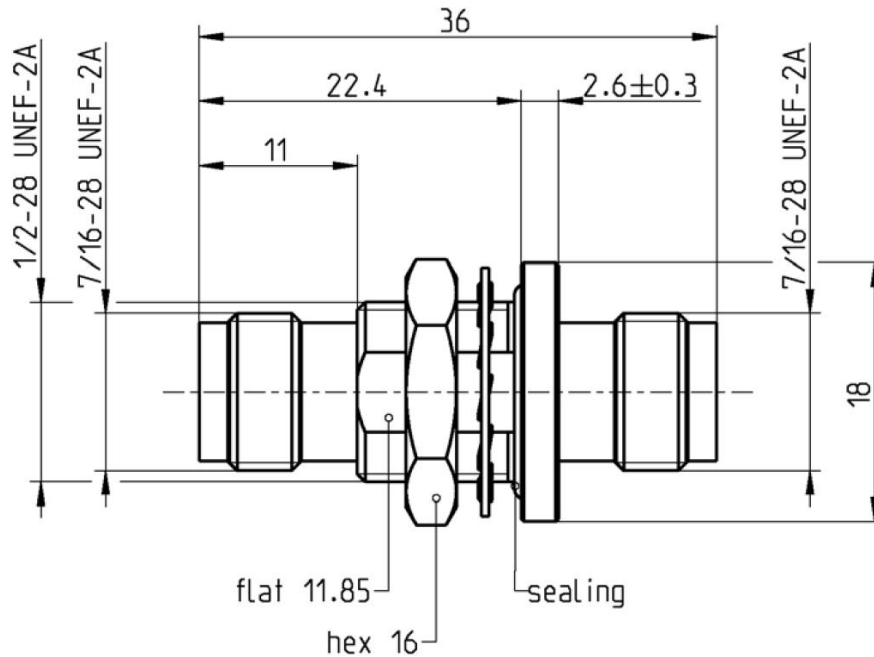


TNC 50 Ω

ADAPTOR
JACK - JACK

56K501-K00N5



All dimensions are in mm; tolerances according to ISO 2768 m-H

Interface

According to IEC 60169-17, MIL-PRF-39012, DIN EN 122200

Documents

Panel piercing B 3

Material and plating

Connector parts

- Center contact
- Outer contact
- Body
- Dielectric
- Gasket

Material

- CuBe
- Brass
- Brass
- PTFE
- NBR

Plating

- AuroDur®, gold plated
- Flash white bronze over silver(e.g. Optargen®)
- Flash white bronze over silver(e.g. Optargen®)

Dieses Dokument ist urheberrechtlich geschützt • This document is protected by copyright • Rosenberger Hochfrequenztechnik GmbH & Co. KG

RF_35/08.13/6.1

TNC 50 Ω

ADAPTOR
JACK - JACK

56K501-K00N5

Electrical data

Impedance 50 Ω
 Frequency DC to 10 GHz
 Return loss ≥ 30 dB @ DC to 2.5 GHz
 ≥ 20 dB @ 2.5 GHz to 6 GHz
 Insertion loss ≤ 0.05 x √ f [GHz] dB, DC to 6 GHz
 Insulation resistance ≥ 5 GΩ
 Center contact resistance ≤ 1.5 mΩ
 Outer contact resistance ≤ 1 mΩ
 Test voltage (at sea level) 1500 V rms
 Working voltage (at sea level) 500 V rms
 Power handling (at 20 °C, sea level, VSWR 1.0) 80 W @ 2 GHz

Mechanical data

Mating cycles ≥ 500
 Center contact captivation: axial ≥ 15 N
 Coupling test torque ≤ 1.7 Nm
 Recommended torque 0.46 Nm to 0.69 Nm

Environmental data

Temperature range -25 °C to +110 °C
 Thermal shock MIL-STD-202, Method 107, Condition B
 Corrosion MIL-STD-202, Method 101, Condition B
 Vibration MIL-STD-202, Method 204, Condition B
 Shock MIL-STD-202, Method 213, Condition G
 Moisture resistance MIL-STD-202, Method 106
 Degree of protection (mated pair) IEC 60529, IP 68 (assembled in housing)
 RoHS compliant

Tooling

N/A

Suitable cables

N/A

Weight

Weight 22.1 g/pce

While the information has been carefully compiled to the best of our knowledge, nothing is intended as representation or warranty on our part and no statement herein shall be construed as recommendation to infringe existing patents. In the effort to improve our products, we reserve the right to make changes judged to be necessary.

For the installation of the electrotechnical equipment, particular electrotechnical expertise is required.



Dieses Dokument ist urheberrechtlich geschützt • This document is protected by copyright • Rosenberger Hochfrequenztechnik GmbH & Co. KG

RF_35/08_13/6.1

Draft	Date	Approved	Date	Rev.	Engineering change number	Name	Date
Inge Mühlauer	10.08.04	Chr. Janßen	28.01.21	e00	20-1927	S. Huber-Siegl	28.01.21

Rosenberger Hochfrequenztechnik GmbH & Co. KG P.O.Box 1260 D-84526 Tittmoning Germany www.rosenberger.com				Tel. : +49 8684 18-0 Email : info@rosenberger.com		Page 2 / 2	
--	--	--	--	--	--	---------------	--

Mouser Electronics

Authorized Distributor

Click to View Pricing, Inventory, Delivery & Lifecycle Information:

[Rosenberger:](#)

[56K501-K00N5](#)