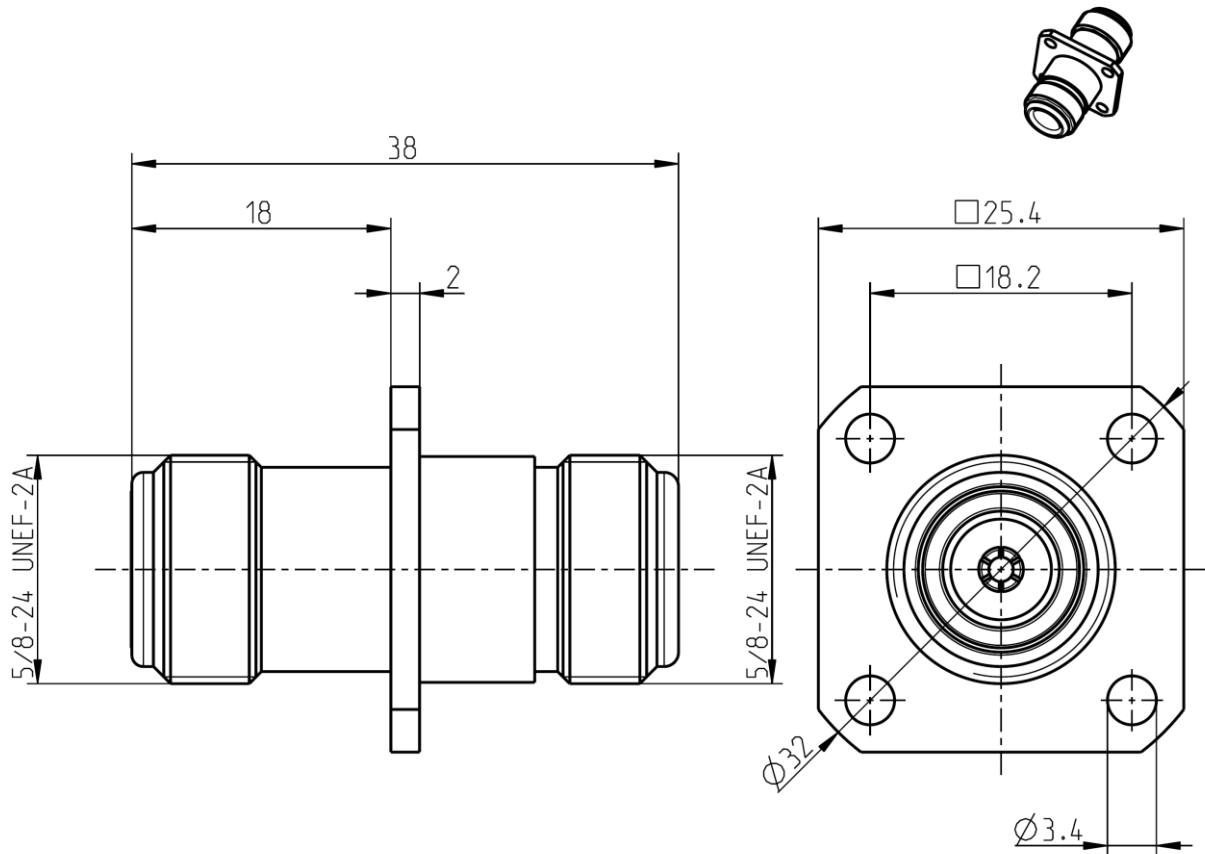


N 50 Ω

Adaptor  
N 50 Ω Jack – Jack

**53K401-K00N5**



All dimensions are in mm; tolerances according to ISO 2768 m-H

**Interface**

According to

IEC 61169-16, MIL-PRF-39012, CECC 22210

**Documents**

Panel piercing

B 12

**Material and plating**

**Connector parts**

- Center contact
- Outer contact
- Body
- Dielectric

**Material**

- Spring bronze
- Brass
- Brass
- PTFE

**Plating**

- AuroDur®, gold plated
- Flash white bronze over silver(e.g. Optargen®)
- Flash white bronze over silver(e.g. Optargen®)

N 50 Ω

Adaptor  
N 50 Ω Jack – Jack

**53K401-K00N5**

**Electrical data**

Impedance 50 Ω  
 Frequency DC to 11 GHz  
 Return loss ≥ 32 dB, DC to 2 GHz  
 ≥ 25 dB, 2 to 4 GHz  
 ≥ 22 dB, 4 to 9 GHz  
 Insertion loss ≤ 0.05 dB, DC to 9 GHz  
 Insulation resistance ≥ 5 x10<sup>3</sup> MΩ  
 Center contact resistance ≤ 1 mΩ  
 Outer contact resistance ≤ 0.25 mΩ  
 Working voltage 500 V rms  
 Power handling (at 20 °C, sea level, VSWR 1.0) 1000 W @ 1 GHz  
 700 W @ 2 GHz  
 RF-leakage ≥ 128 dB up to 1 GHz  
 Intermodulation (3<sup>rd</sup> order) ≤ -115 dBm @ 2 x 20 W

**Mechanical data**

Mating cycles min. 500  
 Center contact captivation: axial ≥ 28 N  
 Coupling test torque max. 1.7 Nm  
 Recommended torque 0.7 Nm to 1.1 Nm

**Environmental data**

Temperature range -45°C to +85°C  
 Thermal shock MIL-STD-202, Meth. 107, Cond. B  
 Corrosion MIL-STD-202, Meth. 101, Cond. B  
 Vibration MIL-STD-202, Meth. 204, Cond. B  
 Shock MIL-STD-202, Meth. 213, Cond. I  
 Moisture resistance MIL-STD-202, Meth. 106  
 Degree of protection (mated pair) IEC 60529, IP67  
 RoHS compliant

**Tooling**

N/A

**Suitable cables**

N/A

**Weight**

Weight 46.6 g/pce

While the information has been carefully compiled to the best of our knowledge, nothing is intended as representation or warranty on our part and no statement herein shall be construed as recommendation to infringe existing patents. In the effort to improve our products, we reserve the right to make changes judged to be necessary.

For the installation of the electrotechnical equipment, particular electrotechnical expertise is required.



Draft	Date	Approved	Date	Rev.	Engineering change number	Name	Date
Inge Mühlauer	22.06.04	Chr. Janßen	19.01.21	i00	20-1927	S. Huber-Siegl	19.01.21

Rosenberger Hochfrequenztechnik GmbH & Co. KG  
 P.O.Box 1260 D-84526 Tittmoning Germany  
[www.rosenberger.com](http://www.rosenberger.com)

Tel. : +49 8684 18-0  
 Email : [info@rosenberger.com](mailto:info@rosenberger.com)

Page  
2 / 2

# Mouser Electronics

Authorized Distributor

Click to View Pricing, Inventory, Delivery & Lifecycle Information:

[Rosenberger:](#)

[53K401-K00N5](#)