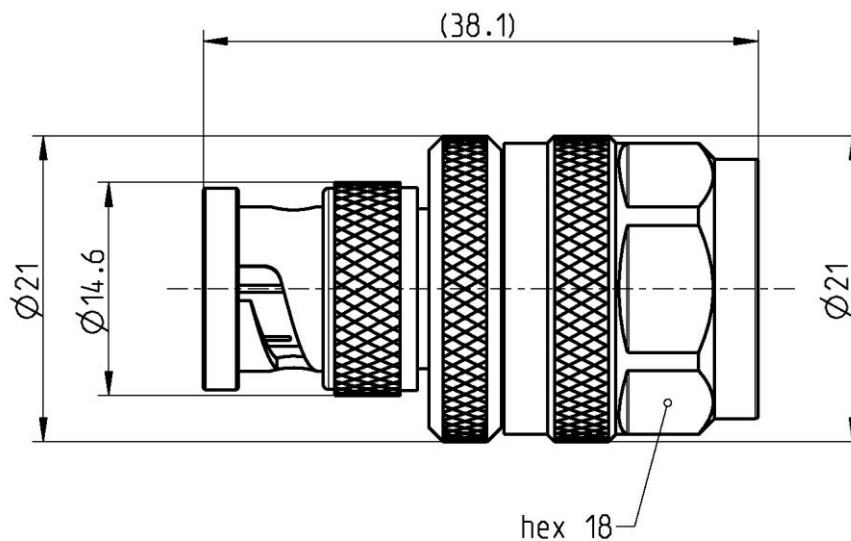


# Technical Data Sheet

# Rosenberger

BNC 50 Ω Adaptor  
 BNC 50 Ω Plug –  
 N 50 Ω Plug

**51S153-S00N5**



All dimensions are in mm; tolerances according to ISO 2768 m-H

### Interface

According to	BNC side:	DIN EN 61169-8
	N side:	IEC 61169-16, MIL-PRF-39012, CECC 22210

### Documents

N/A

### Material and plating

#### Connector parts

Center contact BNC and N side  
 Outer contact BNC and N side  
 Body  
 Dielectric  
 Gasket

#### Material

Brass  
 Brass  
 Brass  
 PTFE  
 Silicone

#### Plating

AuroDur®, gold plated  
 Flash white bronze over silver(e.g. Optargen®)  
 Flash white bronze over silver(e.g. Optargen®)

Dieses Dokument ist urheberrechtlich geschützt • This document is protected by copyright • Rosenberger Hochfrequenztechnik GmbH & Co. KG

RFB00035/12.20/6.4

BNC 50 Ω Adaptor  
BNC 50 Ω Plug –  
N 50 Ω Plug

**51S153-S00N5**

**Electrical data**

Impedance 50 Ω  
 Frequency DC to 10 GHz  
 Return loss ≥ 35 dB, DC to 2.5 GHz  
 ≥ 25 dB, 2.5 to 4 GHz  
 Insertion loss ≤ 0.05 x √f [GHz] dB  
 Insulation resistance ≥ 5 x10<sup>3</sup> MΩ  
 Center contact resistance ≤ 1.5 mΩ, BNC side; ≤ 1 mΩ, N side  
 Outer contact resistance ≤ 1 mΩ, BNC side; ≤ 0.25 mΩ, N side  
 Test voltage 1500 V rms  
 Working voltage 400 V rms  
 Power handling (at 20 °C, sea level, VSWR 1.0) ≤ 80 W @ 2 GHz

**Mechanical data**

	BNC side	N side
Mating cycles	min. 500	min. 500
Coupling nut retention	N/A	≥ 450 N
Center contact captivation: axial	≥ 28 N	≥ 28 N
Coupling test torque	N/A	max. 1.7 Nm
Recommended torque	N/A	0.7 Nm to 1.1 Nm

**Environmental data**

Temperature range -55°C to +155°C  
 Thermal shock MIL-STD-202, Meth. 107, Cond. B  
 Corrosion MIL-STD-202, Meth. 101, Cond. B  
 Vibration MIL-STD-202, Meth. 204, Cond. B  
 Shock MIL-STD-202, Meth. 213, Cond. G  
 Moisture resistance MIL-STD-202, Meth. 106  
 RoHS compliant

**Tooling**

N/A

**Suitable cables**

N/A

**Weight**

Weight 44.9 g/pce

While the information has been carefully compiled to the best of our knowledge, nothing is intended as representation or warranty on our part and no statement herein shall be construed as recommendation to infringe existing patents. In the effort to improve our products, we reserve the right to make changes judged to be necessary.

For the installation of the electrotechnical equipment, particular electrotechnical expertise is required.



Draft	Date	Approved	Date	Rev.	Engineering change number	Name	Date
Chr. Entsfellner	17.07.08	Chr. Janßen	21.12.20	f00	20-1927	S. Huber-Siegl	21.12.20
Rosenberger Hochfrequenztechnik GmbH & Co. KG P.O.Box 1260 D-84526 Tittmoning Germany <a href="http://www.rosenberger.com">www.rosenberger.com</a>					Tel. : +49 8684 18-0 Email : <a href="mailto:info@rosenberger.com">info@rosenberger.com</a>		Page 2 / 2

# Mouser Electronics

Authorized Distributor

Click to View Pricing, Inventory, Delivery & Lifecycle Information:

[Rosenberger:](#)

[51S153-S00N5](#)