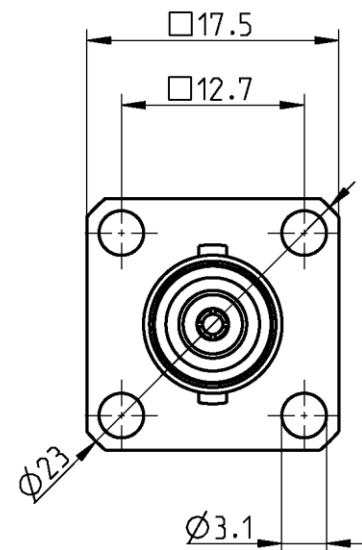
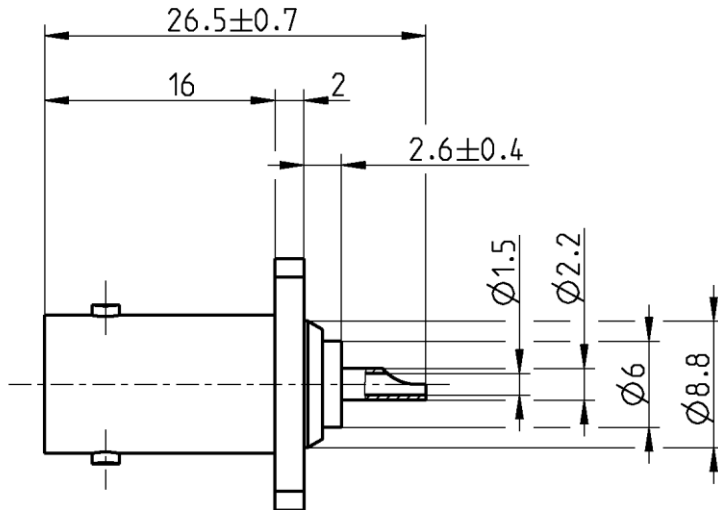


BNC 50 Ω Panel Jack Solder End

**51K404-200N5**



All dimensions are in mm; tolerances according to ISO 2768 m-H

**Interface**

According to DIN EN 61169-8

**Documents**

Panel piercing B 6

**Material and plating**

**Connector parts**

Center contact	CuBe
Outer contact	Brass
Body	Brass
Dielectric	PTFE

**Plating**

AuroDur®, gold plated  
Flash white bronze over silver(e.g. Optargen®)  
Flash white bronze over silver(e.g. Optargen®)

Dieses Dokument ist urheberrechtlich geschützt • This document is protected by copyright • Rosenberger Hochfrequenztechnik GmbH & Co. KG

RFB00035/12.20/6.4

BNC 50 Ω Panel Jack  
Solder End

**51K404-200N5**

**Electrical data**

Impedance 50 Ω  
 Frequency DC to 10 GHz  
 Return loss ≥ 35 dB, DC to 1 GHz  
 ≥ 25 dB, 1 to 2.5 GHz  
 ≥ 20 dB, 2.5 to 4 GHz  
 Insertion loss ≤ 0.05 x √f [GHz]dB, DC to 4 GHz  
 Insulation resistance ≥ 5 x10<sup>3</sup> MΩ  
 Center contact resistance ≤ 1.5 mΩ  
 Outer contact resistance ≤ 1 mΩ  
 Test voltage 1500 V rms  
 Working voltage 400 V rms  
 Power handling (at 20 °C, sea level, VSWR 1.0) ≤ 80 W @ 2 GHz

**Mechanical data**

Mating cycles ≥ 500  
 Center contact captivation: axial ≥ 15 N

**Environmental data**

Temperature range -55°C to +155°C  
 Thermal shock MIL-STD-202, Meth. 107, Cond. B  
 Corrosion MIL-STD-202, Meth. 101, Cond. B  
 Vibration MIL-STD-202, Meth. 204, Cond. B  
 Shock MIL-STD-202, Meth. 213, Cond. G  
 Moisture resistance MIL-STD-202, Meth. 106  
 RoHS compliant

**Tooling**

N/A

**Suitable cables**

N/A

**Weight**

Weight 9.9 g/pce

While the information has been carefully compiled to the best of our knowledge, nothing is intended as representation or warranty on our part and no statement herein shall be construed as recommendation to infringe existing patents. In the effort to improve our products, we reserve the right to make changes judged to be necessary.

For the installation of the electrotechnical equipment, particular electrotechnical expertise is required.



Draft	Date	Approved	Date	Rev.	Engineering change number	Name	Date
Inge Mühlauer	13.07.04	Chr. Janßen	03.12.20	d00	20-1927	S. Huber-Siegl	03.12.20

Rosenberger Hochfrequenztechnik GmbH & Co. KG  
 P.O.Box 1260 D-84526 Tittmoning Germany  
<http://www.rosenberger.com/>

Tel. : +49 8684 18-0  
 Email : [info@rosenberger.com](mailto:info@rosenberger.com)

Page  
 2 / 2

# Mouser Electronics

Authorized Distributor

Click to View Pricing, Inventory, Delivery & Lifecycle Information:

[Rosenberger:](#)

[51K404-200N5](#)