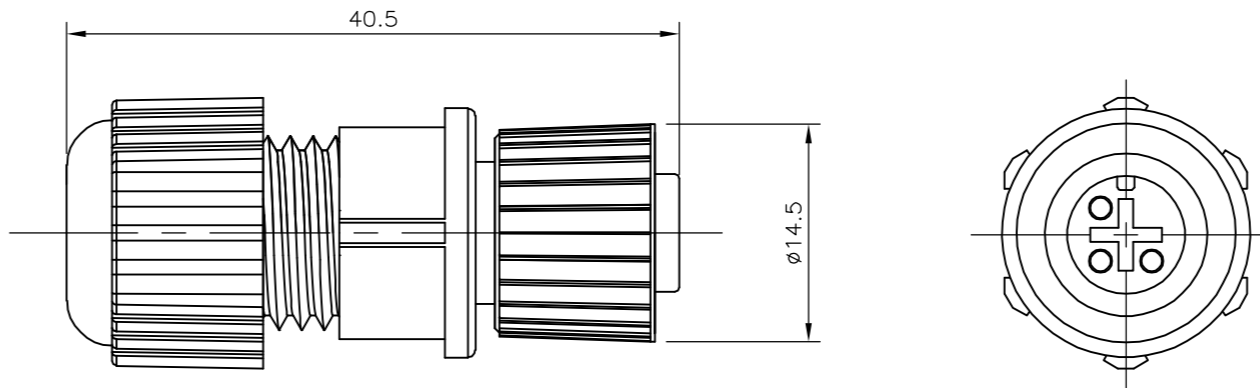
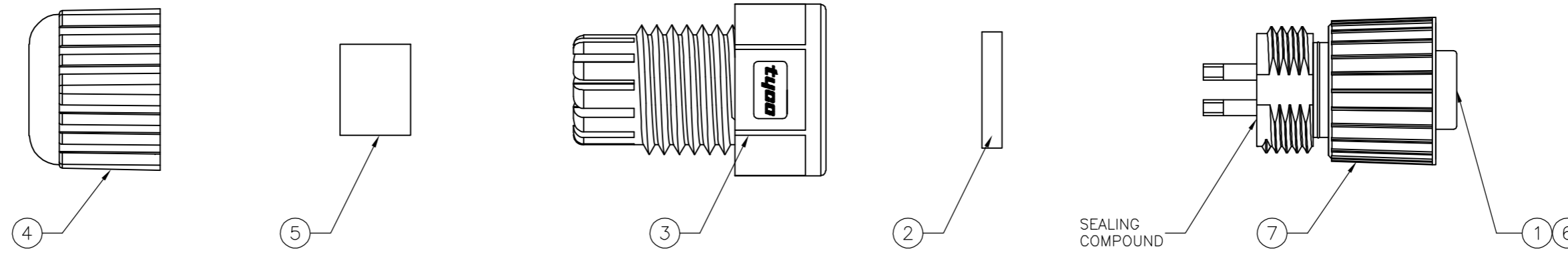


THIS DRAWING IS UNPUBLISHED. RELEASED FOR PUBLICATION 14MAR, 2006.
 © COPYRIGHT 2006 BY TYCO ELECTRONICS CORPORATION. ALL RIGHTS RESERVED.

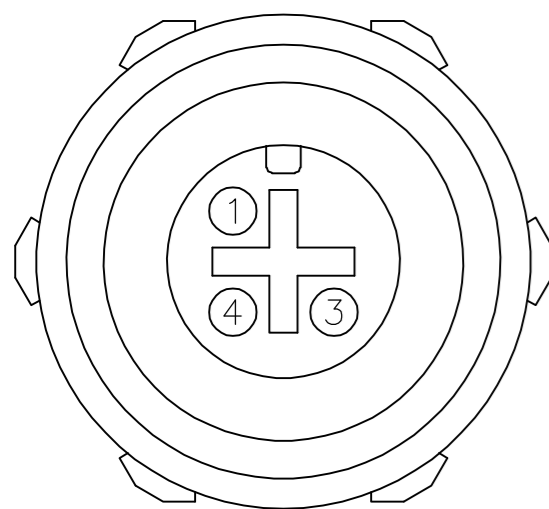
LOC	DIST	REVISIONS					
E	B	P	LTR	DESCRIPTION	DATE	DWN	APVD
		C		ECR-07-004803	23FEB07	AM	FWK

- NOTES:
- ELECTRICAL DATA: CONTACT RESISTANCE: 10 mOhm MAX
 INSULATION RESISTANCE: 100 MOhm MIN at 500VDC
 CURRENT RATING: 5 AMPS (FOR 3, 4 AND 5 POSITIONS) AND 2 AMPS (FOR 8 POSITION ONLY)
 BREAKDOWN VOLTAGE: 500 VAC MIN PER MINUTE
 - ENVIRONMENTAL: OPERATING TEMPERATURE: -25°C TO +90°C
 SEALING REQUIREMENTS: IP67
 - PACKAGING: 107-3334
 - SEAL FOR CABLE OD: ϕ 4.5mm - ϕ 6.5mm
 - FOR TECHNICAL DATA REFER TO YOUR LOCAL TYCO ELECTRONICS SALES OFFICE.
 - ALL DIMENSIONS ARE FOR NOMINAL REFERENCE ONLY UNLESS OTHERWISE STATED.

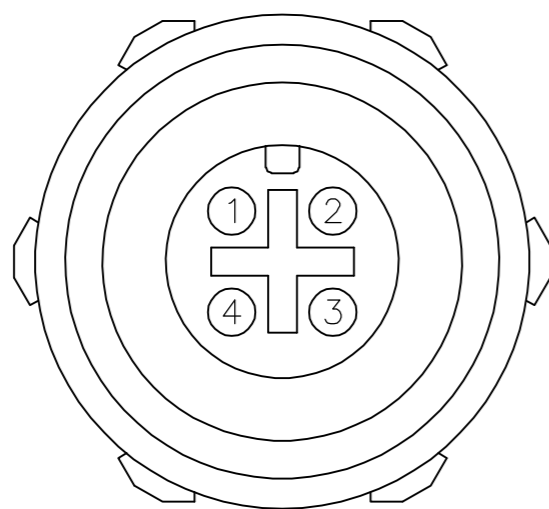
ITEM	DESCRIPTION	MATERIAL	FINISH/COLOUR	QUANTITY / ITEM		
				-1	-2	-3
1	CONNECTOR HOUSING	GF NYLON	BLACK	1	1	1
2	GASKET	SILICONE	BLACK	1	1	1
3	CONNECTOR BODY	GF NYLON	BLACK	1	1	1
4	SEALING NUT	GF NYLON	BLACK	1	1	1
5	SEAL	EPDM	BLACK	1	1	1
6	SOCKET CONTACT	BRASS	0.15 μ m GOLD OVER NICKEL	3	4	5
7	SCREW NUT	ZINC DIE CAST	2.5 μ m NICKEL PLATED	1	1	1
8	'O' RING	VITON	GREEN	1	1	1



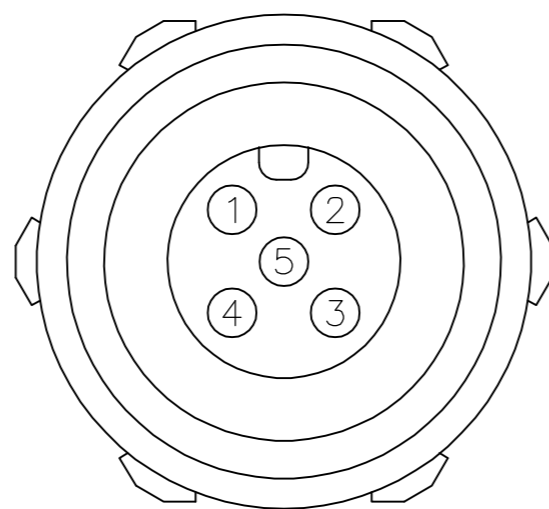
1838274-1
PIN ASSIGNMENTS
FRONT VIEW



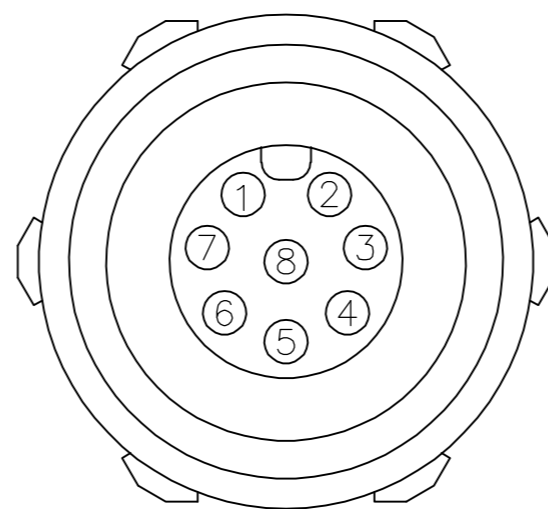
1838274-2
PIN ASSIGNMENTS
FRONT VIEW



1838274-3
PIN ASSIGNMENTS
FRONT VIEW



1838274-4
PIN ASSIGNMENTS
FRONT VIEW



M12 FIELD SERVICEABLE CONNECTOR, FEMALE SOCKET, SOLDER TYPE	8	1838274-4
M12 FIELD SERVICEABLE CONNECTOR, FEMALE SOCKET, SOLDER TYPE	5	1838274-3
M12 FIELD SERVICEABLE CONNECTOR, FEMALE SOCKET, SOLDER TYPE	4	1838274-2
M12 FIELD SERVICEABLE CONNECTOR, FEMALE SOCKET, SOLDER TYPE	3	1838274-1

THIS DRAWING IS A CONTROLLED DOCUMENT.

DIMENSIONS: mm	TOLERANCES UNLESS OTHERWISE SPECIFIED	DWN A. Morey 14MAR06	Tyco Electronics Corporation Bideford, UK, EX39 4HE
		CHK F. Wheeler-King 12APR06	
		APVD F. Wheeler-King 12APR06	NAME
		MATERIAL	M12 FIELD SERVICEABLE CONNECTOR, FEMALE SOCKET, SOLDER TYPE
		FINISH	SIZE A2 CAGE CODE 00779 DRAWING NO. C=1838274 RESTRICTED TO
		WEIGHT	SCALE NTS SHEET 1 OF 1 REV C
		CUSTOMER DRAWING	