

## FEATURES AND SPECIFICATIONS

### Features and Benefits

- Sizes 2 to 6 circuits
- Accommodates up to .062, .093 and .125 board thicknesses; for other board thicknesses contact your Molex representative
- Surface Mount Compatible (SCMC)
- Available in solder tail lengths of 3.81mm (.150") and 5.33mm (.210")
- Optional board lock features offered in .062, .093 and .125 lengths

### Reference Information

Product Specification: PS-44441-9999  
 Packaging: Bag and tray  
 UL File No.: E29179 and UL1950  
 CSA File No.: LR19980  
 Mates With: 44441 housing  
 Designed In: Inches

### Electrical

Voltage: 1000V  
 Current: 18A  
 Contact Resistance: 10mΩ max.  
 Dielectric Withstanding Voltage: 4000V  
 Insulation Resistance: 1000 MΩ min.

### Mechanical

Insertion Force to PCB: 5 lb max.  
 Mating Force: 3 lb max.  
 Unmating Force: 1 lb min.

Normal Force: 3 lb nominal  
 Durability: 25 cycles

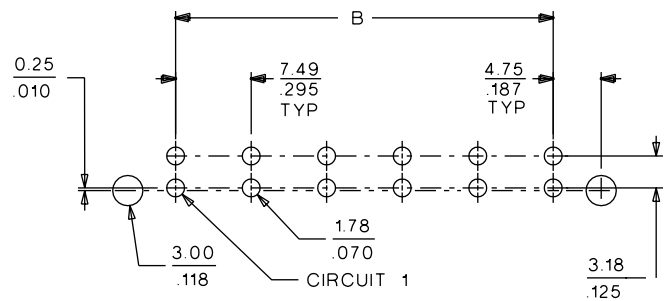
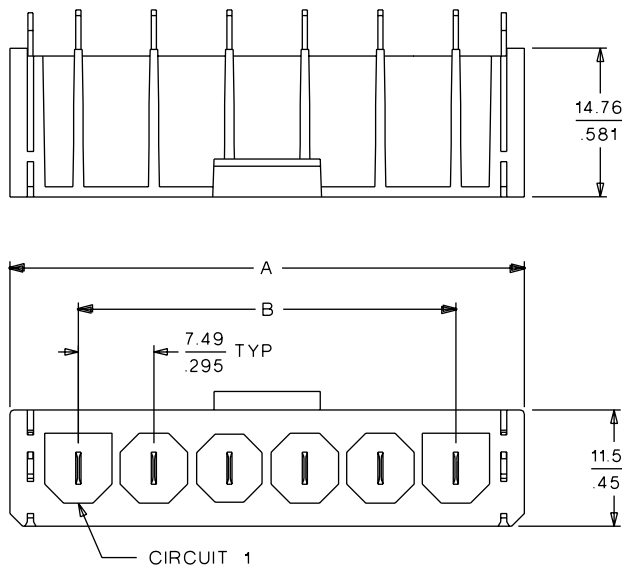
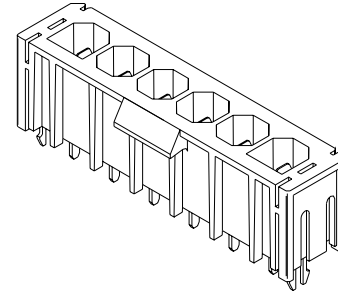
### Physical

Housing: Black glass-filled nylon, UL 94V-0  
 Contact: Brass  
 Plating: Tin (contact factory for Gold)  
 Temperature: -40 to +130°C

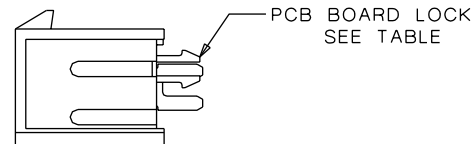
# molex® 7.50mm (.295") Pitch Sabre™ Wire-to-Board Header

## 43160

## Vertical, Single Row, SMC With and without Board Lock



PCB LAYOUT: COMPONENT SIDE  
 RECOMMENDED PCB THICKNESS SEE TABLE



## ORDERING INFORMATION AND DIMENSIONS

Circuits	Order No.	Without Board Lock		
		Dimension		
		A	B	C
2	43160-0102	21.08 (.830)	7.49 (.295)	3.81 (.150)
2	43160-0302	21.08 (.830)	7.49 (.295)	5.33 (.210)
3	43160-0103	28.58 (1.125)	14.99 (.590)	3.81 (.150)
3	43160-0303	28.58 (1.125)	14.99 (.590)	5.33 (.210)
4	43160-0104	36.07 (1.420)	22.48 (.885)	3.81 (.150)
4	43160-0304	36.07 (1.420)	22.48 (.885)	5.33 (.210)
5	43160-0105	43.56 (1.715)	29.97 (1.180)	3.81 (.150)
5	43160-0305	43.56 (1.715)	29.97 (1.180)	5.33 (.210)
6	43160-0106	51.05 (2.010)	37.47 (1.475)	3.81 (.150)
6	43160-0306	51.05 (2.010)	37.47 (1.475)	5.33 (.210)

Circuits	Order No.	PCB Thickness	With Board Lock		
			Dimension		
			A	B	C
2	43160-2102	.062	21.08 (.830)	7.49 (.295)	3.81 (.150)
2	43160-4302	.093	21.08 (.830)	7.49 (.295)	5.33 (.210)
2	43160-6302	.125	21.08 (.830)	7.49 (.295)	5.33 (.210)
3	43160-2103	.062	28.58 (1.125)	14.99 (.590)	3.81 (.150)
3	43160-4303	.093	28.58 (1.125)	14.99 (.590)	5.33 (.210)
3	43160-6303	.125	28.58 (1.125)	14.99 (.590)	5.33 (.210)
4	43160-2104	.062	36.07 (1.420)	22.48 (.885)	3.81 (.150)
4	43160-4304	.093	36.07 (1.420)	22.48 (.885)	5.33 (.210)
4	43160-6304	.125	36.07 (1.420)	22.48 (.885)	5.33 (.210)
5	43160-2105	.062	43.56 (1.715)	29.97 (1.180)	3.81 (.150)
5	43160-4305	.093	43.56 (1.715)	29.97 (1.180)	5.33 (.210)
5	43160-6305	.125	43.56 (1.715)	29.97 (1.180)	5.33 (.210)
6	43160-2106	.062	51.05 (2.010)	37.47 (1.475)	3.81 (.150)
6	43160-4306	.093	51.05 (2.010)	37.47 (1.475)	5.33 (.210)
6	43160-6306	.125	51.05 (2.010)	37.47 (1.475)	5.33 (.210)

Power Connectors

