

BERNSTEIN



Electronic-Tools

SPANNFIX vices for industry, laboratories and workshops



CLAMPING VICES SPANNFIX

BERNSTEIN clamping vices SPANNFIX constructed on ball-and-socket joints are rotatable easily in all directions and capable of being set securely with maximum working capacity by simple operation. A set screw below the ball socket allows an individual adjusting of the ball power. Long life is guaranteed by highest powder-coated Alu-casting and surface-refined steel-parts.

SMALL VICE SPANNFIX

The Spannfix vice simplifies many jobs in precision engineering, in laboratories, in test rooms, in all mechanical and electronical workshops as well as in different medical areas.

9-205 **BERNSTEIN SPANNFIX screw-on vice**

for work benches with a max. table thickness of 80 mm. The small vice with ball-and-socket joint can be mounted quickly and easily onto a work bench or table. Slight pressure on the lever is sufficient, and the clamped workpiece can be moved into any suitable position.

Technical data:	Clamping pressure	150 kp
	Clamping capacity	70 mm
	Clamping depth	38 mm
	Jaw width	50 mm
	Jaws (interchangeable) plastic	
Weight: 1.450 kg	Alu-jaws on request	

9-215 **BERNSTEIN SPANNFIX for permanent mounting using bolts**

Technical data as 9-205
Size of base: 150 x 105 mm
Weight: 1.350 kg

9-220 **BERNSTEIN SPANNFIX VICE WITH VACUUM BASE for portable applications**

(consisting of 9-211 and 9-215)
Technical data as 9-205
Size of base: 150 x 105 mm
Weight: 2.000 kg

SPANNFIX FOR SPECIAL POSITIONINGS

The universal Spannfix ball-and-socket joint base enables an exact and secure adjustment in all directions, e. g. of optoelectronic measuring instruments, of monitors and observation cameras.

9-251 **Universal clamp mounting ball joint base with threaded stud M 12 x 1.5 for screwing onto work benches with a max. table thickness of 80 mm**

Weight: 0.950 kg

SPANNFIX bench mounted base with universal ball joint and threaded stud M 12 x 1.5 for permanent mounting using bolts

9-261 Size of base: 150 x 105 mm
Weight: 0.800 kg

9-281 Size of base: 110 x 72 mm
with four bore-holes of 6 mm Ø for covered inside screwing
Weight: 0.750 kg

9-210 **SPANNFIX VACUUM BASE with ball joint and threaded stud M 12 x 1.5**

(consisting of 9-211 and 9-261)
Weight: 1.500 kg

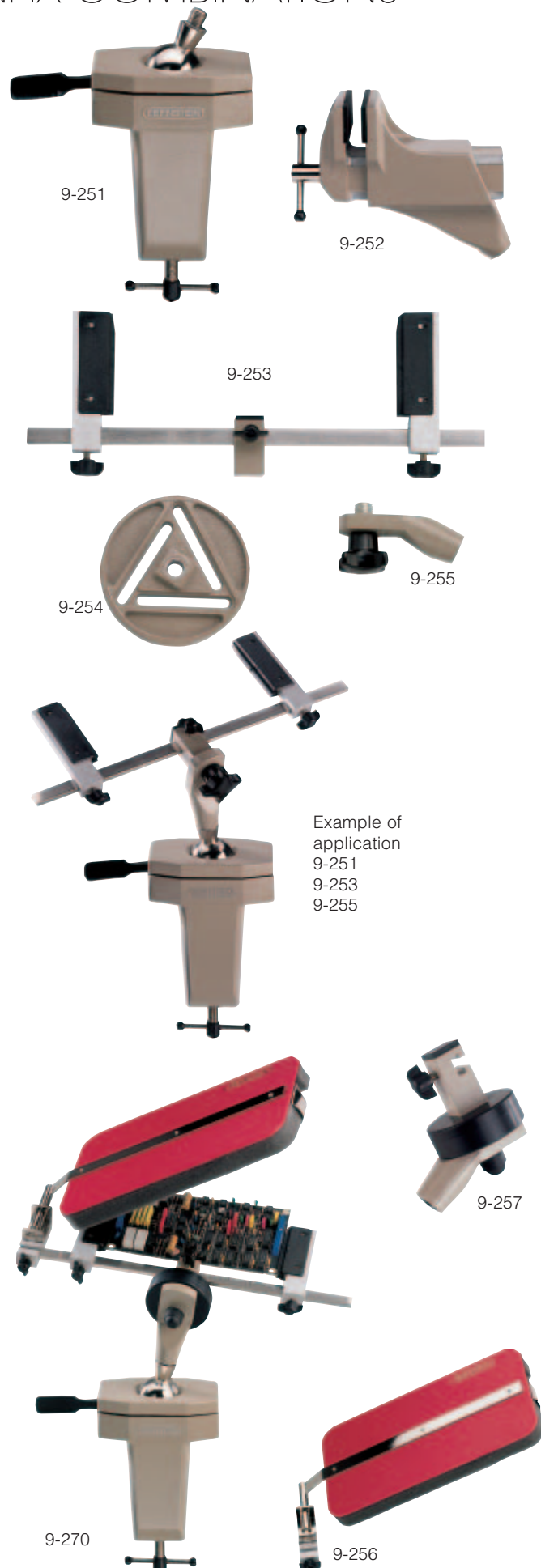
9-211 **SPANNFIX VACUUM BASE only**
to be used in conjunction with 9-215 or 9-261
Weight: 0.650 kg



CLAMPING EQUIPMENT SPANNFIX COMBINATIONS

Individual components

- 9-251 **Universal clamp mounting ball joint base with threaded stud M 12 x 1.5**
for screwing onto work benches with a max. table thickness of 80 mm
Weight: 0.950 kg
- 9-252 **Screw-on mounting vice**
Technical data:
Clamping pressure 150 kp
Clamping capacity 70 mm
Clamping depth 38 mm
Jaw width 50 mm
Jaws (interchangeable) plastic
Weight: 0.560 kg
- 9-253 **Circuit board holder**
adjustable from 25 mm to 270 mm clamping capacity, correct setting by adjusting the centre position, firm clamping of the printed circuit by built-in resilience in the locating arms, height of locating arms 70 mm.
Weight: 0.280 kg
If the circuit board holder is to be used with universal ball joint base 9-251, we recommend that the combination is used with angular adapter 9-255 or with rapid turning device 9-257 in order to obtain a larger turning circle.
- 9-254 **Universal screw-on plate**
Slots made for commonly used standard bolts, for holding of e. g. tuner, line output transformer, small loudspeaker etc. or prototypes
Weight: 0.120 kg
- 9-255 **Angular adapter**
to be used as an additional attachment with every work mount, permits an even larger turning circle.
Weight: 0.095 kg
- 9-256 **Clamping lid for circuit boards with components**
covered with 20 mm thick foamed ESD plastic.
Components of different sizes are pressed in such a way that soldering can be carried out correctly after the circuit board holder has been turned.
Size of cover: 240 x 130 mm
Use: in conjunction with circuit board holder 9-253
Weight: 0.260 kg
- 9-257 **Rapid turning device**
with permanently connected angular adapter, permits swift rotation of the circuit board holder with the PCB and clamping lid through 180°.
Weight: 0.270 kg
- 9-250 **BERNSTEIN SPANNFIX-VARIO assembly vice**
5 piece set
with following interchangeable screw-on work mounts
9-251, 9-252, 9-253, 9-254 and 9-255
Weight: 2.000 kg
- 9-260 **BERNSTEIN SPANNFIX-VARIO assembly vice**
5-piece set
with following interchangeable screw-on work mounts
9-261, 9-252, 9-253, 9-254 and 9-255
Weight: 1.900 kg
- 9-270 **BERNSTEIN SPANNFIX-VARIO-PLUS clamping combination**
Tailor-made combination of the following individual components:
9-251, 9-257, 9-253, 9-256
Weight: 1.800 kg



CLAMPING VICES SPANNFIX MAXI

Heavy-duty vice SPANNFIX MAXI on ball-and-socket joint rotatable in any direction and capable of being set securely.

The same operations, the same flexibility and the universal use as the Spannfix small vice also distinguish the large models. Suitable for working on larger and heavier workpieces, e. g. in the metal working and wood processing industry.



9-225

9-225 **BERNSTEIN SPANNFIX VICE MAXI screw-on**

for work benches with a max. table thickness of 85 mm.

Technical data: Clamping pressure 300 kp
Clamping capacity 100 mm
Clamping depth 50 mm
Jaw width 100 mm
interchangeable steel jaws
smooth and fluted
Alu- and plastic jaws on request

Weight: 4.000 kg



9-226

9-226 **BERNSTEIN SPANNFIX VICE MAXI for permanent mounting using bolts**

Technical data: as 9-225
Size of base: 190 x 155 mm

Weight: 3.600 kg



9-227

SPANNFIX MAXI FOR SPECIAL POSITIONINGS

The Spannfix MAXI ball-and-socket joint base enables an exact and secure adjustment e. g. for heavy instruments in all directions.

9-227 **SPANNFIX MAXI universal clamp mounting ball joint base with threaded stud M 12 x 1.5 for screwing onto work benches with a max. table thickness of 85 mm**

Weight: 2.220 kg



9-228

9-228 **SPANNFIX MAXI bench mounted base with universal ball joint and threaded stud M 12 x 1.5 for permanent mounting using bolts**

Size of base: 190 x 155 mm

Weight: 1.850 kg