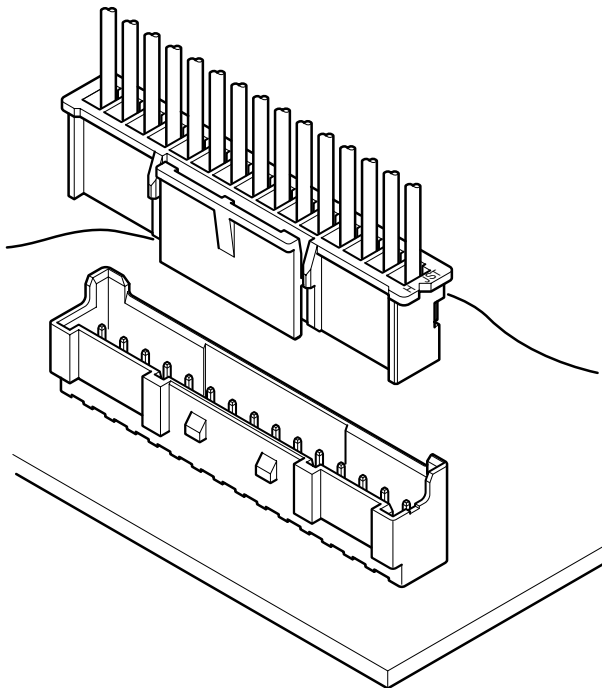


JST

Crimp

2.0mm
(.079") pitch

PA CONNECTOR

Disconnectable Crimp style connectors

Features

• **Locking device**

The housing has a locking device to securely hold the header, preventing accidental disconnection because of external forces that might result from the routing of wires during assembly process or of vibration.

• **Reliable contacts**

The box contact supplies stable contact performance even under conditions of vibration, distortion, low voltage or low current.

• **Low insertion force**

Header pins are reflow-treated, which provides low insertion force.

• **Insertion guide mechanism**

Header has housing insertion guides for easy and secure insertion.

• **Flanged press pin**

Top entry type header has flanged press pins, preventing accidental removal of the pins that might result from the distorted unmating especially in the case of small no. of circuits.

• **Polarizing boss**

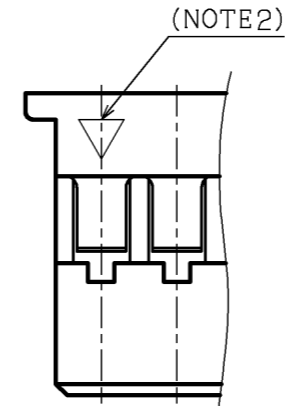
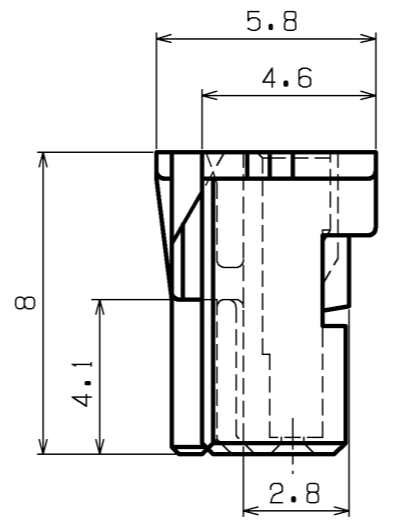
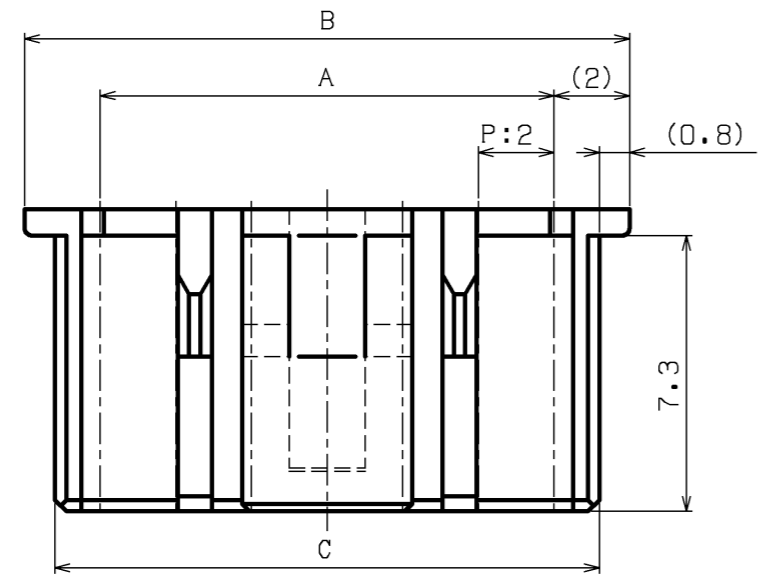
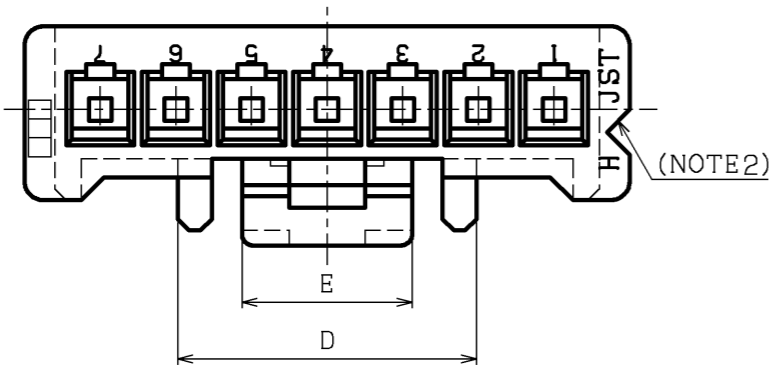
Top entry type headers with polarizing bosses are also available.

Specifications

- Current rating: 3A AC, DC (AWG#22)
 - Voltage rating: 250V AC, DC
 - Temperature range: -25°C to +85°C
(including temperature rise in applying electrical current)
 - Relative humidity: 0 to 80%
 - Contact resistance: Initial value/10m Ω max.
After environmental testing/20m Ω max.
 - Insulation resistance: 1,000M Ω min.
 - Withstanding voltage: 800V AC/minute
 - Applicable wire: AWG #28 to #22
 - Applicable PC board thickness: 1.6mm(.063")
- * Contact JST for details.

A
B
C
D
E
F

1 2 3 4 5 6 7 8

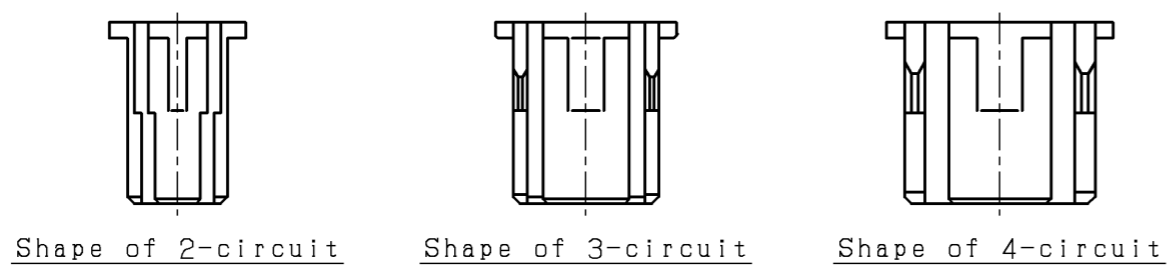


REV.	DESCRIPTION	DATE	DESIGNED
①	Circuits are added.	FEB.19.1999	S.TAKADA
②	Circuits are added.	MAR. 5.1999	S.TAKADA
③	Error correction.	JUN.17.2002	M.ISHIGAMI

NOTE
 1. Unless otherwise specified, tolerances are $0 < L \leq 5.0 : \pm 0.3$
 $5.0 < L : \pm 0.4$
 2. Indicating hole No.1

Color	Part No.
Natural (White)	PAP-()V-S
Black	PAP-()V-K

Cir- cuits	Dimensions				
	A	B	C	D	E
2	2.0	6.0	4.4	4.4	2.6
3	4.0	8.0	6.4	6.4	3.8
4	6.0	10.0	8.4	8.4	4.5
5	8.0	12.0	10.4	①7.9	4.5
6	10.0	14.0	12.4	7.9	4.5
7	12.0	16.0	14.4	7.9	4.5
①8	14.0	18.0	16.4	7.9	4.5
②9	16.0	20.0	18.4	7.9	4.5



HOUSING		66NYLON		UL94V-0	
No.	PART NAME	MATERIAL		SURFACE FINISH	REMARKS
SIZE	UNIT	SCALE	PROJECTION	DATE	CUSTOMER
A3	METRIC	5:1		NOV.18.1998	
APPROVED	CHECKED	DESIGNED	DRAWN	SERIES NAME	PA CONNECTOR (2~9 circuits)
S.KOYAMA	E.NAKAYAMA	M.ISHIGAMI	M.YONEDA	PART No.	
JST J.S.T.MFG.CO.,LTD.				DRAWING No.	KRD-22575

THIS DRAWING CONTAINS INFORMATION THAT IS PROPRIETARY TO J.S.T. AND SHOULD NOT BE USED WITHOUT WRITTEN PERMISSION.

EC4109-2