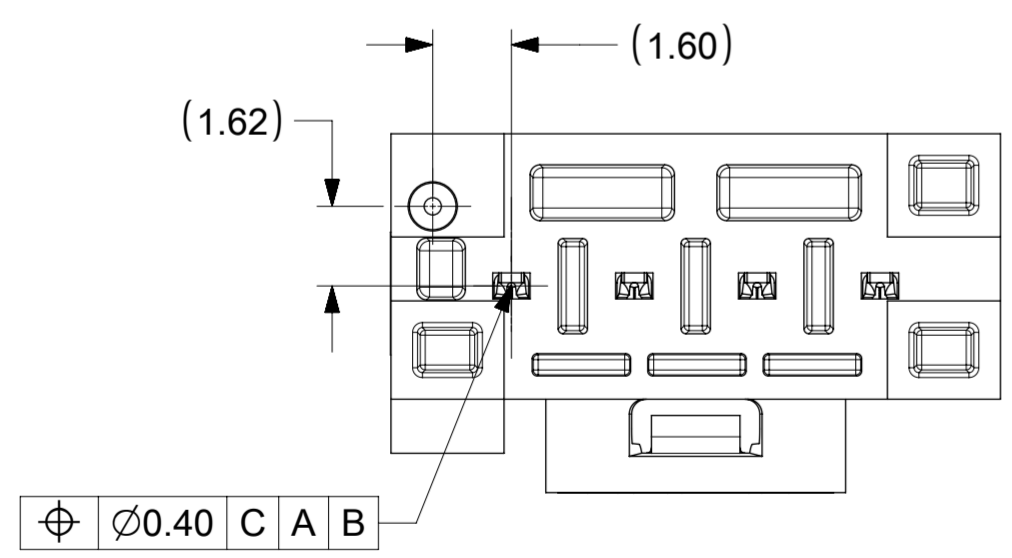
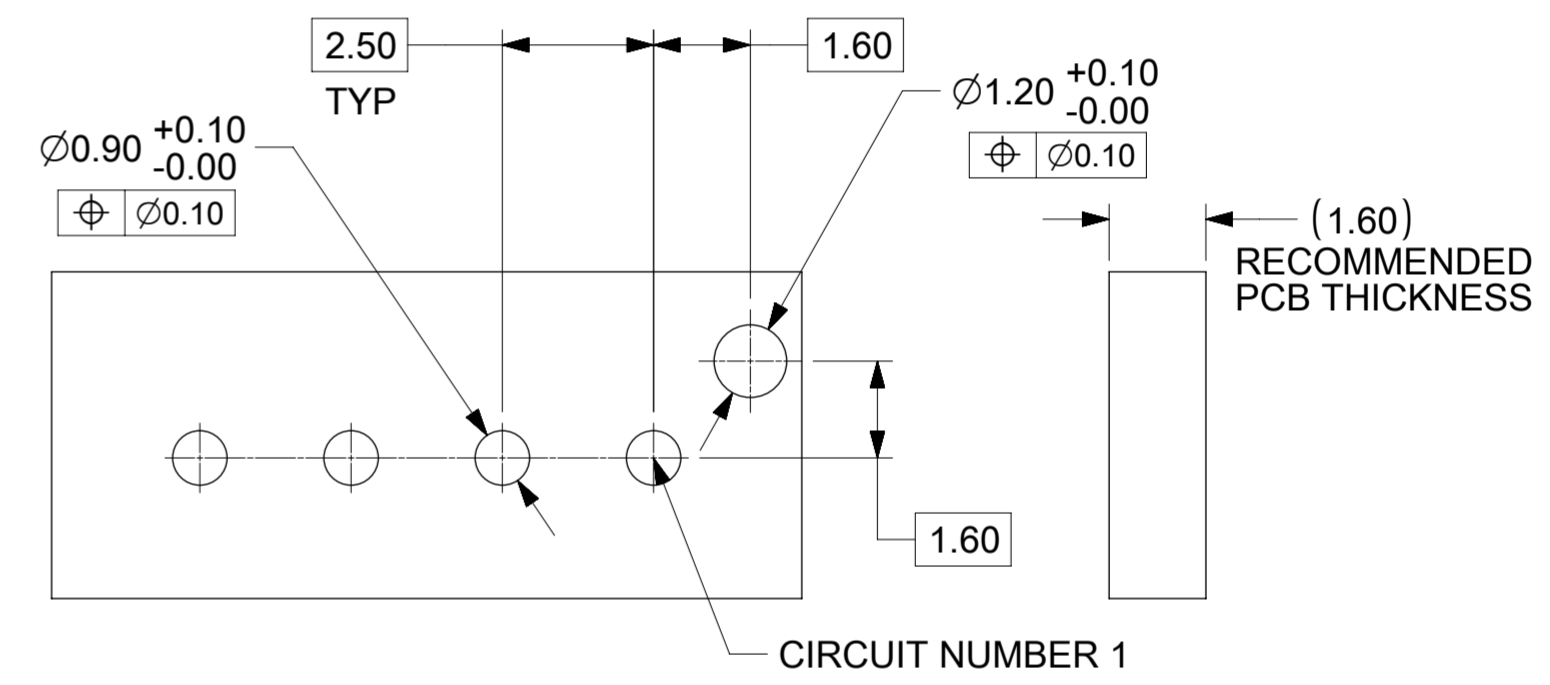
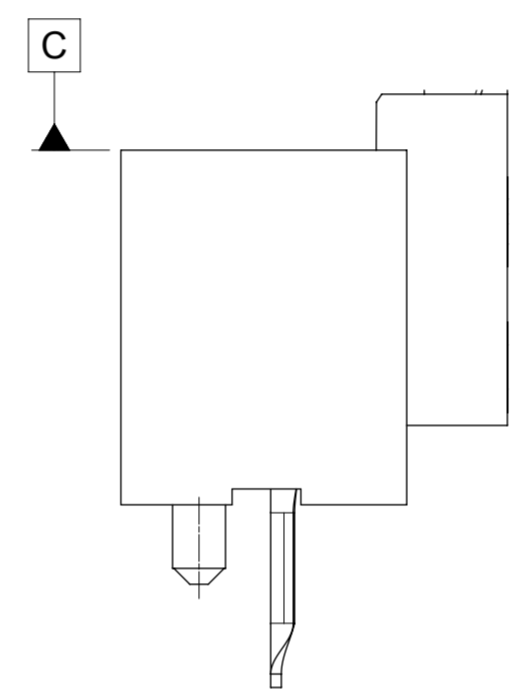
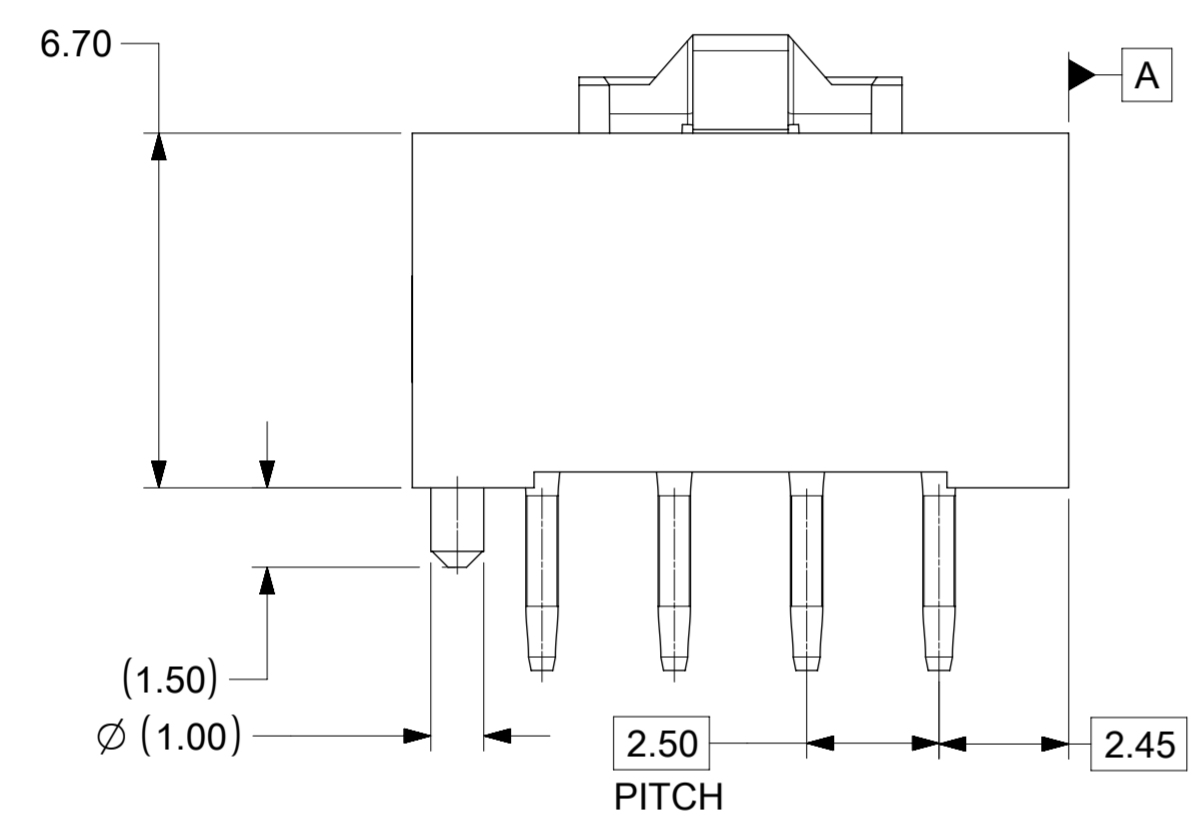


ISOMETRIC VIEW FOR  
4 CKT HEADER ASSEMBLY



CKT SIZE	HEADER ASSEMBLY P/N	DIM. B
2	2078430002	8.00
3	2078430003	9.90
4	2078430004	12.40
5	2078430005	14.90
6	2078430006	17.40
7	2078430007	19.90
8	2078430008	22.40

- NOTES:
- MATERIAL:
    - HOUSING: LIQUID CRYSTAL POLYMER, RATED UL 94V-0, COLOUR - BLACK
    - TERMINAL: BRASS ALLOY PLATING: TIN OVER NICKEL OVERALL.
  - PRODUCT SPECIFICATION: 2079020001-PS
  - PACKAGING SPECIFICATION: 2078430000-PK
  - COSMETIC SPECIFICATION: PS-45499-002 CLASS B

SYMBOLS	THIS DRAWING CONTAINS INFORMATION THAT IS PROPRIETARY TO MOLEX ELECTRONIC TECHNOLOGIES, LLC AND SHOULD NOT BE USED WITHOUT WRITTEN PERMISSION		
	DIMENSION UNITS	SCALE	CURRENT REV DESC:
▽ = 0	mm	6:1	EC NO: 622818 DRWN: GJEEVANSURES 2019/08/21 CHK'D: SCS02 2019/08/22 APPR: ISHWARG 2019/08/23
▽ = 0	GENERAL TOLERANCES (UNLESS SPECIFIED)		
▽ = 0	ANGULAR TOL ± °		INITIAL REVISION: DRWN: SUDAYGUNAGI 2018/06/19 APPR: ISHWARG 2019/04/16
▽ = 0	4 PLACES ±		
▽ = 0	3 PLACES ±		DOCUMENT NUMBER: 2078430004-SD DOC TYPE: PSD DOC PART: 000 REVISION: A3
▽ = 0	2 PLACES ± 0.25		
▽ = 0	1 PLACE ± 0.3		MATERIAL NUMBER: 207843 CUSTOMER: 1 OF 2
▽ = 0	0 PLACES ±		
▽ = 0	DRAFT WHERE APPLICABLE MUST REMAIN WITHIN DIMENSIONS		THIRD ANGLE PROJECTION
▽ = 0	DRAWING		SERIES
A2-SIZE		207843	

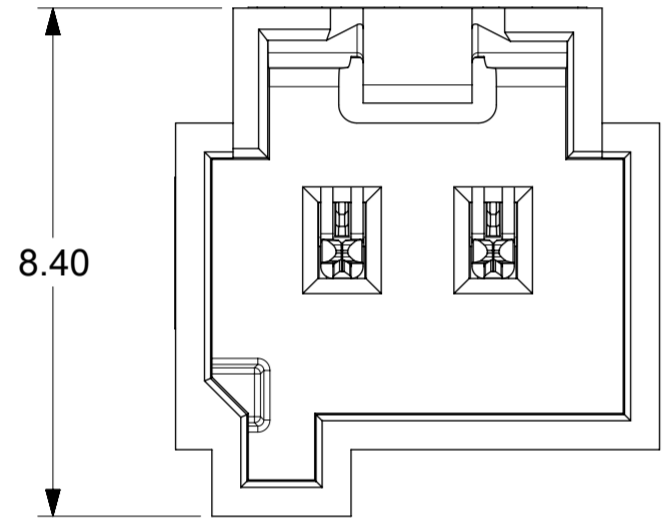
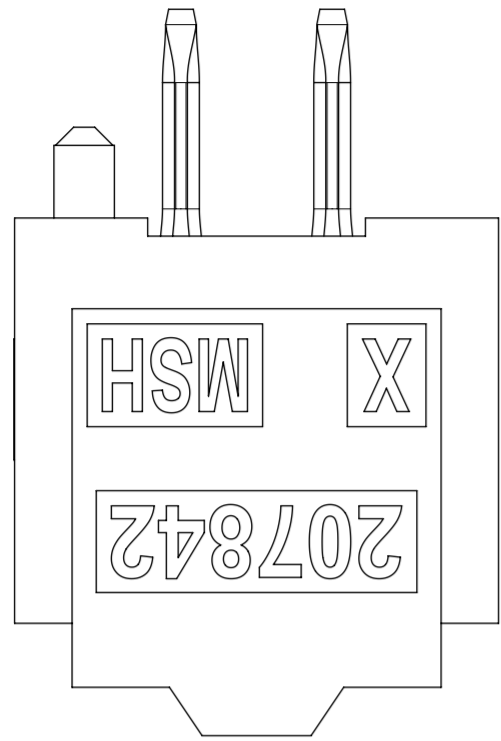


HEADER ASSEMBLY FOR L1NK 250

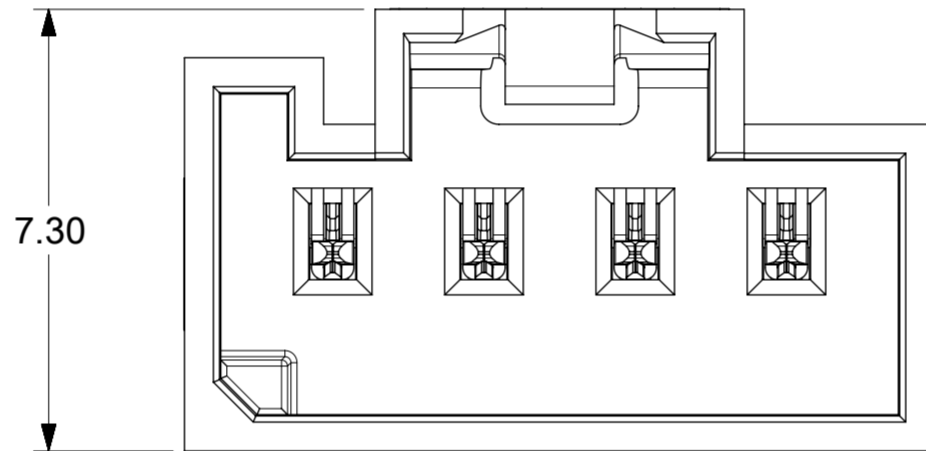
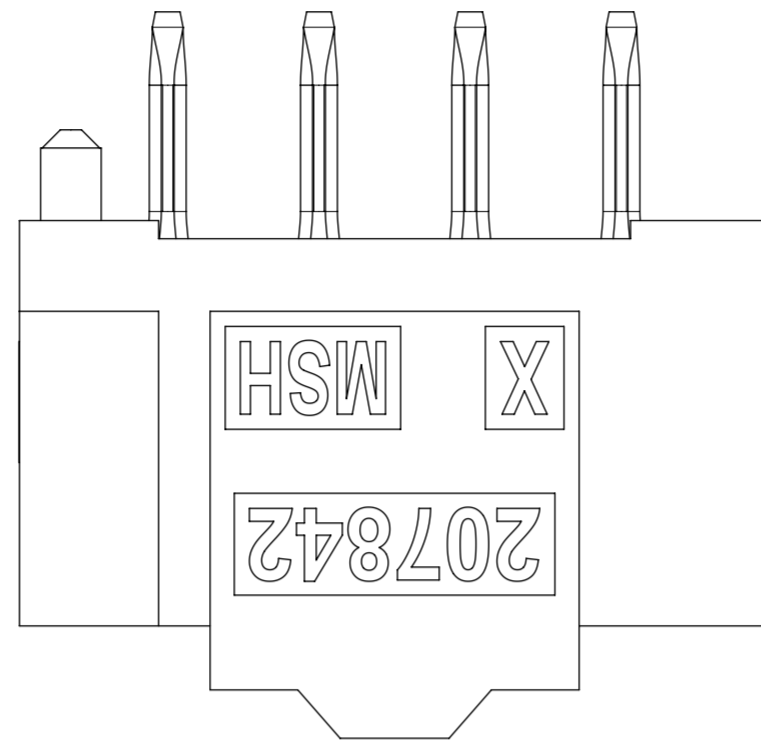
PRODUCT CUSTOMER DRAWING

POLARIZATION

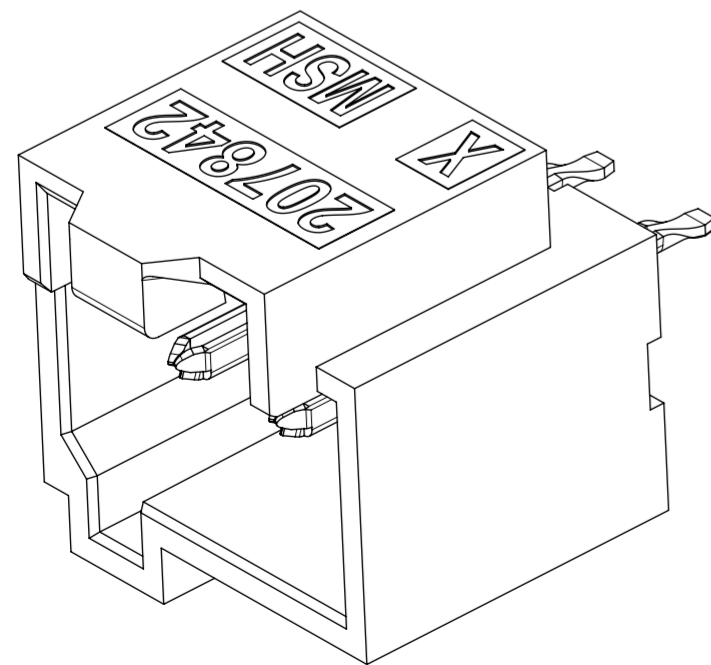
2 & 3CKT



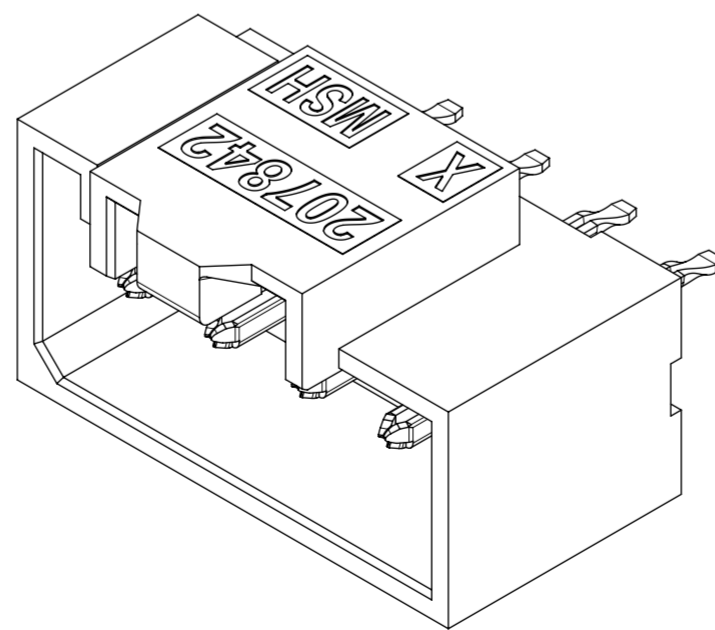
4 CKT TO 10 CKT





ISOMETRIC VIEW FOR 2 & 3CKT



ISOMETRIC VIEW FOR 4 CKT TO 10 CKT



SYMBOLS										THIS DRAWING CONTAINS INFORMATION THAT IS PROPRIETARY TO MOLEX ELECTRONIC TECHNOLOGIES, LLC AND SHOULD NOT BE USED WITHOUT WRITTEN PERMISSION											
DIMENSION UNITS		SCALE		CURRENT REV DESC:										 HEADER ASSEMBLY FOR L1NK 250							
mm		8:1		EC NO: 622818 DRWN: GJEEVANSURES 2019/08/21 CHK'D: SCS02 2019/08/22 APPR: ISHWARG 2019/08/23																	
GENERAL TOLERANCES (UNLESS SPECIFIED)		INITIAL REVISION:										DOCUMENT NUMBER				DOC TYPE		DOC PART		REVISION	
ANGULAR TOL ± °		4 PLACES ± 3 PLACES ± 2 PLACES ± 0.25 1 PLACE ± 0.3 0 PLACES ±										2078430004-SD				PSD		000		A3	
DRAFT WHERE APPLICABLE MUST REMAIN WITHIN DIMENSIONS		THIRD ANGLE PROJECTION		DRAWING		SERIES		MATERIAL NUMBER		CUSTOMER		SHEET NUMBER									
				A2-SIZE		207843						2 OF 2									