

38002

2

3

4

5

6

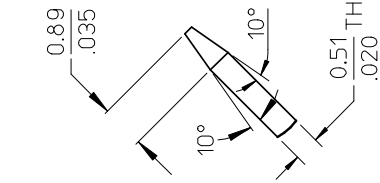
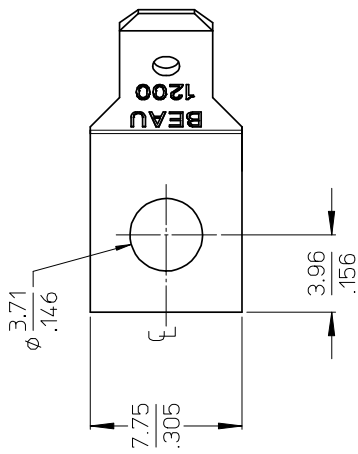
7

8

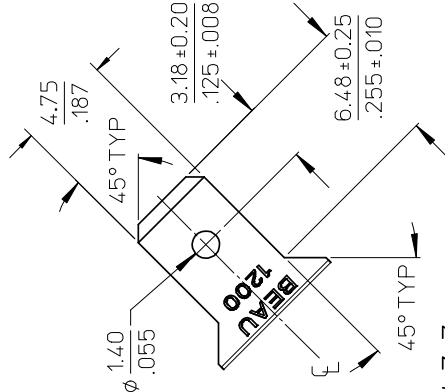
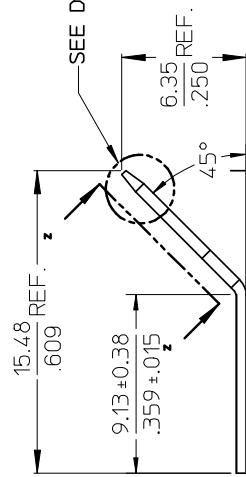
9

10

MATERIAL NO. 380020022	ENGINEERING NO. 1214	DESCRIPTION TERMINAL, FAST-TAB SLANT	MATERIAL BRASS	FINISH TIN OVER COPPER PLATED
---------------------------	-------------------------	---	-------------------	----------------------------------



DETAIL A  
SCALE 10:1



VIEW Z-Z

QUALITY SYMBOLS	GENERAL TOLERANCES (UNLESS SPECIFIED)	SCALE	DESIGN UNITS	THIRD ANGLE PROJECTION
$\blacktriangle = 0$ $\triangle = 0$	4 PLACES ± --- INCH 3 PLACES ± --- INCH 2 PLACES ± 0.13 INCH 1 PLACE ± 0.3 INCH ANGULAR ± 2°	4:1	INCH	

DRAWN BY J. ENCINAS 2008/07/15		DATE 2008/07/15		TITLE TERMINAL, .187 FAST-TAB 45/SLANT, TIN PLATE (CAT# 1214)	
CHECKED BY C. YORK 2008/07/17		DATE 2008/07/17		MATERIAL NO. SD-38002-060	
APPROVED BY JMACNEIL 2008/07/18		DATE 2008/07/18		DOCUMENT NO. MOLEX INCORPORATED	
DRAFT WHERE APPLICABLE MUST REMAIN WITHIN DIMENSIONS		SEE CHART		SHEET NO. 1 OF 1	
THIS DRAWING CONTAINS INFORMATION THAT IS PROPRIETARY TO MOLEX INCORPORATED AND SHOULD NOT BE USED WITHOUT WRITTEN PERMISSION					

NOTES:  
1. PART IS ROHS COMPLIANT.