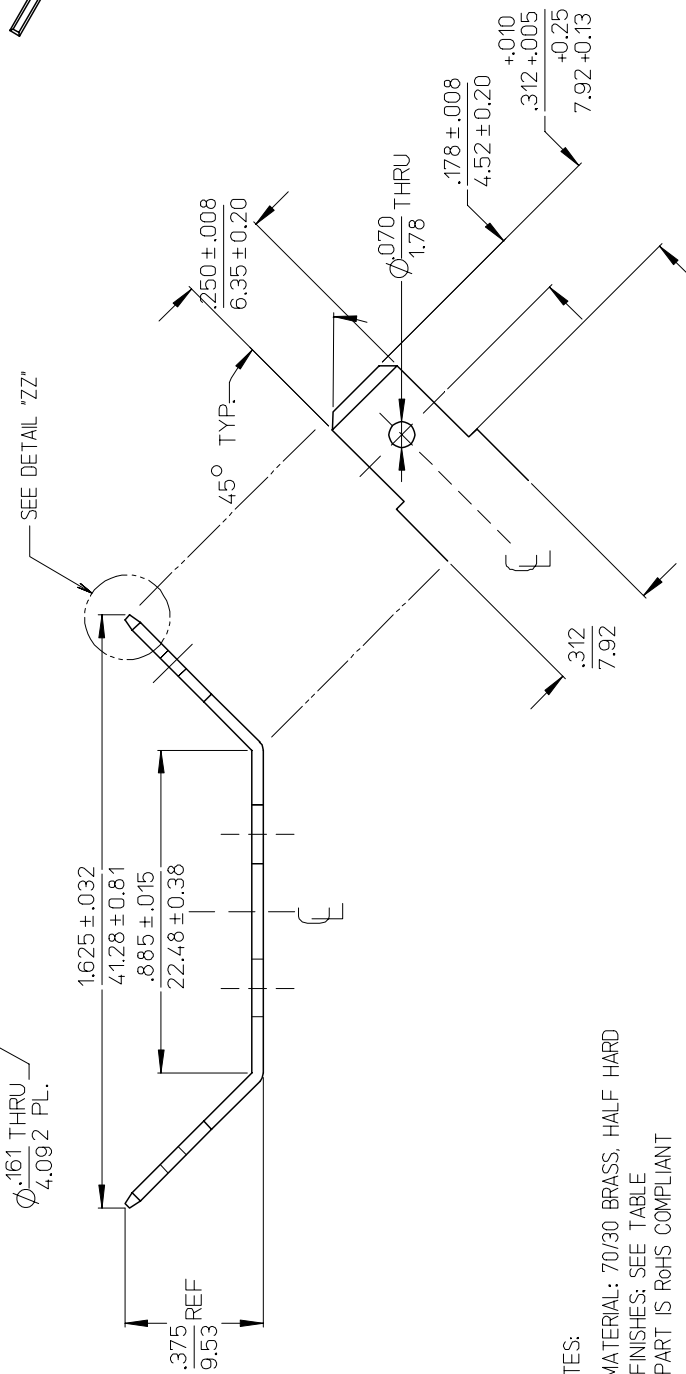
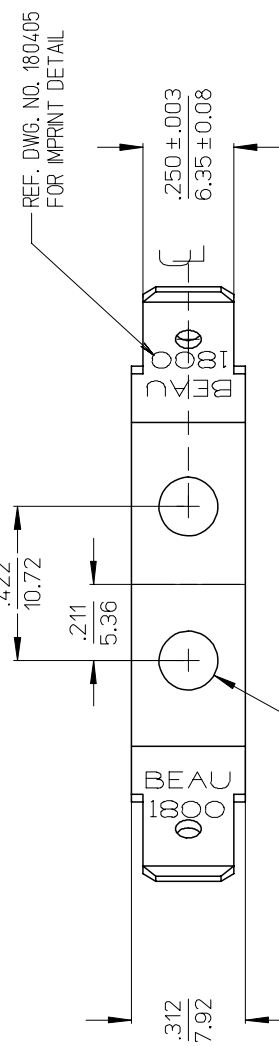
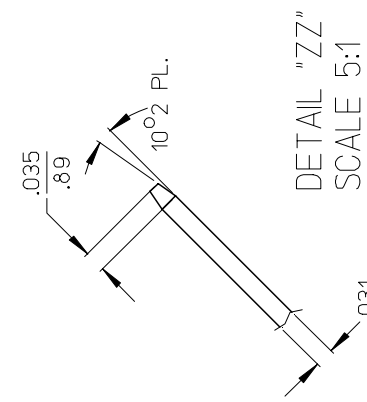
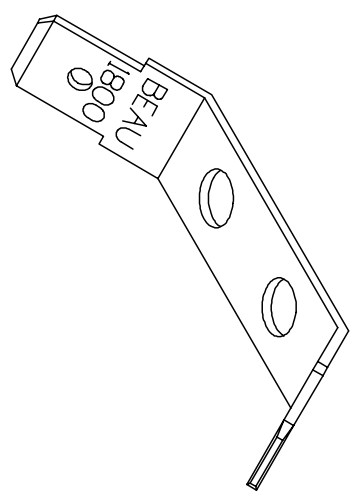


38002 2 3 4 5 6 7 8 9 10



- NOTES:
 1. MATERIAL: 70/30 BRASS, HALF HARD
 2. FINISHES: SEE TABLE
 3. PART IS RoHS COMPLIANT

QUALITY SYMBOLS	GENERAL TOLERANCES (UNLESS SPECIFIED)	DIMENSION STYLE	SCALE	DESIGN UNITS	THIRD ANGLE PROJECTION
=0 =0	mm ± --- INCH ± 0.015 4 PLACES ± --- INCH ± 0.005 3 PLACES ± 0.038 INCH ± 0.005 2 PLACES ± 0.13 INCH ± 0.01 1 PLACE ± 0.25 INCH ± --- ANGULAR ± 2 °	IN/MM DATE 69/05/12 DRAWN BY HCH DATE 69/05/12 CHECKED BY DATE APPROVED BY RN DATE 69/05/12	3:1	INCH	THIRD ANGLE PROJECTION TERMINAL, FAST TAB SLSL OPTION -1811
DESCRIPTION	MATERIAL NO.	DOCUMENT NO.	SHEET NO.		
NO CHANGE FROM C EC NO: ETC2007-0441 DRWN: CLYORK 2007/106/05 CHKD: JMACNELL 2007/106/10 APPR: JMACNELL 2007/106/11	SEE CHART	SD-38002-040	1 OF 1		
REV	THIS DRAWING CONTAINS INFORMATION THAT IS PROPRIETARY TO MOLEX INCORPORATED AND SHOULD NOT BE USED WITHOUT WRITTEN PERMISSION				
C1	INCORPORATED AND SHOULD NOT BE USED WITHOUT WRITTEN PERMISSION				

380020263	1804-0601-A500	380020261	TIN PLATED
380020261	1804-0601-A110	435870182	PLAIN
MATERIAL NO.	ENGINEERING NO.	MADE FROM	FINISH
1804-0601-A500			