



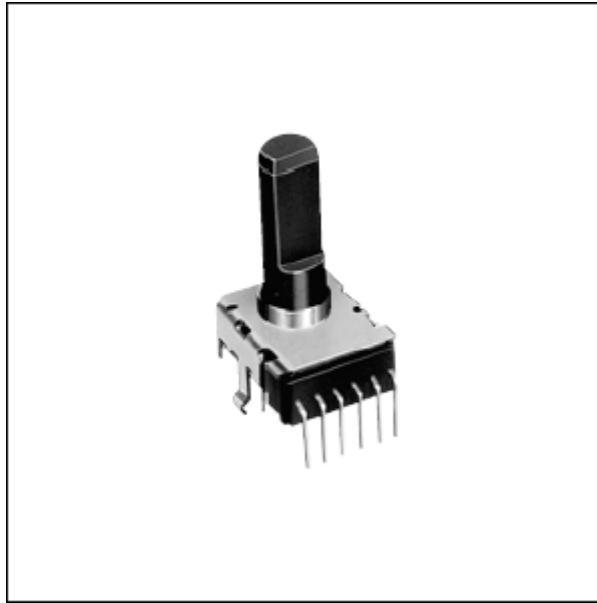
## 12mm Size Insulated Shaft Snap-in Type RK12L Series

### For the mixing console market

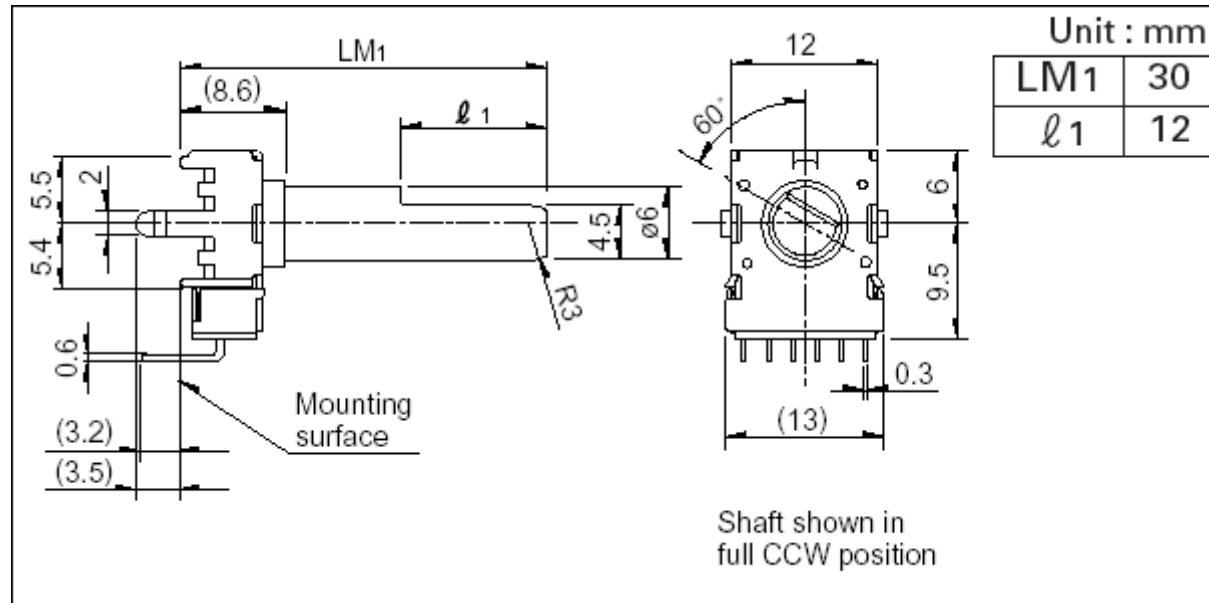
Part number	<b>RK12L1270009</b>	
Number of resistor elements	Dual-unit	
Mounting direction	Vertical type	
Shaft types	Flat	
Length of the shaft LM1	30mm	
Center detent	With	
Total resistance	20k $\Omega$	
Resistance taper	1B	
Operating temperature range	-10 $^{\circ}$ C to +70 $^{\circ}$ C	
Electrical Performance	Total resistance tolerance	$\pm 20\%$
	Rated power	0.05W
	Maximum operating voltage	50V AC for AC only
	Gang error	Within 2dB at center

	Insulation resistance	100MΩ min. 250V DC
	Voltage proof	300V AC for 1 minute
Mechanical Performance	Total rotational angle	300°±5°
	Rotational torque	2 to 15mN·m
	Stopper strength	0.5N·m
	Push-pull strength	80N max.
	Vibration	10 to 55 to 10Hz/min., the amplitude is 1.5mm for all the frequencies, in the 3 direction of X, Y and Z and for 2 hours respectively
Durability	Operating life	15,000 cycles
Minimum order unit (pcs.)	Japan	800
	Export	1,600

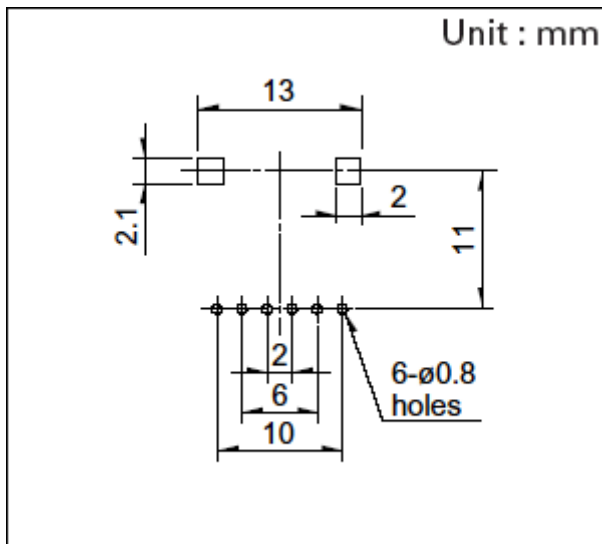
## Photo



Dimensions

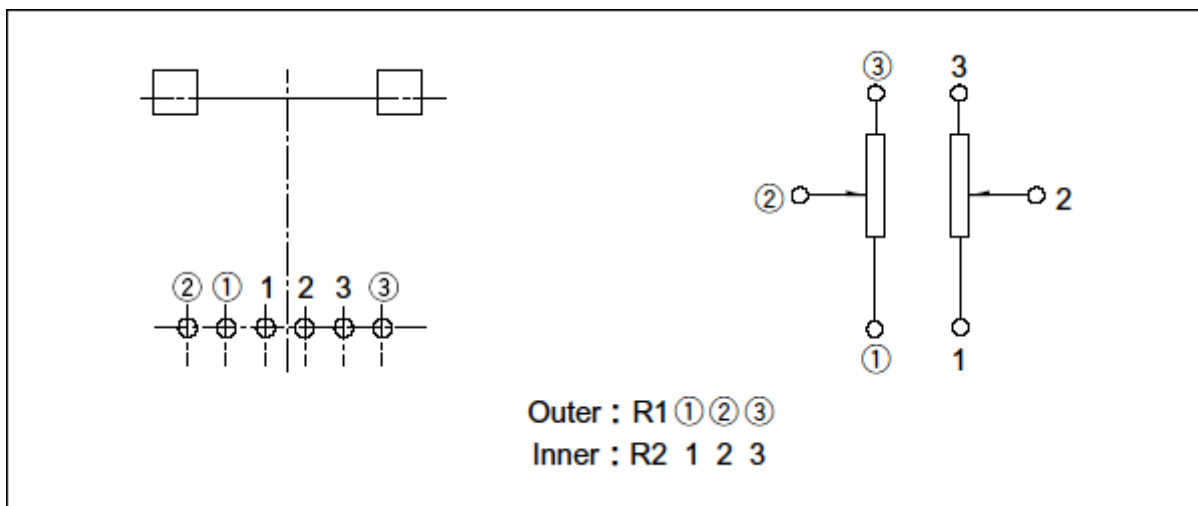


Mounting Hole Dimensions



Viewed from mounting side.

### Terminal Layout / Circuit Diagram



### Packing Specifications

#### Tray

Number of packages 1 case / Japan 800

(pcs.)	1 case / export packing	1,600
--------	----------------------------	-------

---

Export package measurements (mm)      374×532×240

---

## Soldering Conditions

### Reference for Dip Soldering

---

Preheating	Soldering surface temperature	100°C max.
	Heating time	1 min. max.
Dip soldering	Soldering temperature	260°C max.
	Soldering time	5s max.
No. of solders		2 time max.

---

### Reference for Hand Soldering

---

Tip temperature		350°C max.
Soldering time		3s max.
No. of solders		1 time

---

Notes are common to this series/models.

1. This site catalog shows only outline specifications. When using the products, please obtain formal specifications for supply.
2. Please place purchase orders per minimum order unit (integer).
3. Products other than those listed in above products are also available. Please contact us for details.

# Mouser Electronics

Authorized Distributor

Click to View Pricing, Inventory, Delivery & Lifecycle Information:

[Alps Alpine:](#)

[RK12L1270009](#)