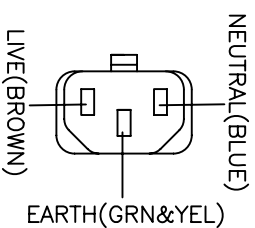
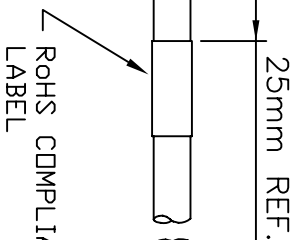
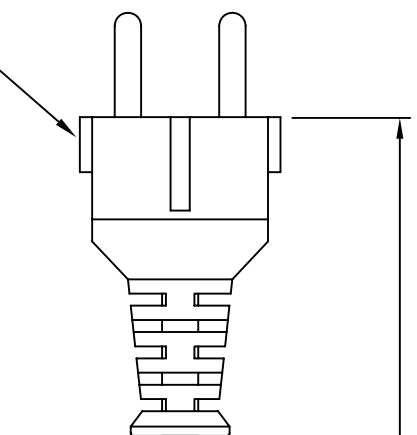
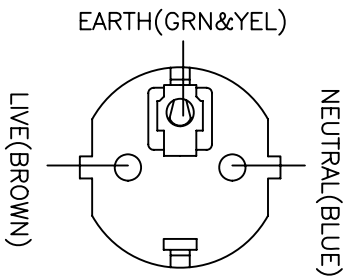


3000mm ±50mm

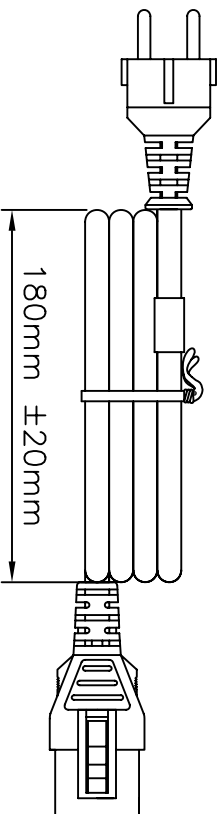


CONNECTOR: V-LOCK IEC60320 C-13  
WITH LOCKING TAB  
RATING: 10A/250V

PLUG: CEE7 SHEET VII  
"SCHUKO"  
RATING: 16A/250V

VOLEX RESERVES THE RIGHT TO ALTER NON-CRITICAL DIMENSIONS WITHOUT NOTICE.

PACKAGING: FOLD & TIE



- NOTES**
- 1) CORDAGE: H05VV-F 3 X 1mm, BLACK LEAD FREE
  - 2) APPROVALS:
  - 3) PACKAGING: 50 PIECES PER CARTON
  - 4) THIS ITEM IS A CORD ONLY. NO C-14 INLET INCLUDED.

REV	DESCRIPTION	DATE
1	C.U.D - NEW RELEASE	6/21/07

SCALE:	ECD:	ITEM DESCRIPTION
NDT TO SCALE	N/A	CORSET - EUROPEAN V-LOCK DETACHABLE POWER SUPPLY CORD (3M)

TOLERANCE UNLESS OTHERWISE SPECIFIED	APPROVED	DRAWN BY	DATE:
.XXX ± .005 .XX ± .02 .X ± .03 FRACT. ± 1/32 ANGULAR ± 1/2°	STC	STC	6/21/07

PART NO.
VL-1024-23-300



CUD

- Indianapolis, IN
- Conover, N.C.
- Freemont, CA
- Aguascalientes, MX
- Tijuana, Mexico
- Hermosillo, MX
- Clinton, AR
- Kanata, Canada

**Proprietary Notice:**  
This document is the property of Volex Incorporated. The information contained herein is not to be disclosed to anyone without the express written consent of Volex Inc.

**MATERIAL:**  
PLUG: PVC-BLACK  
CONNECTOR: PVC-BLACK  
JACKET: PVC-BLACK

**FINISH:**  
JACKET: SMOOTH

# Mouser Electronics

Authorized Distributor

Click to View Pricing, Inventory, Delivery & Lifecycle Information:

[Volex:](#)

[VL-1424-23-300](#) [VL-1024-23-300](#)