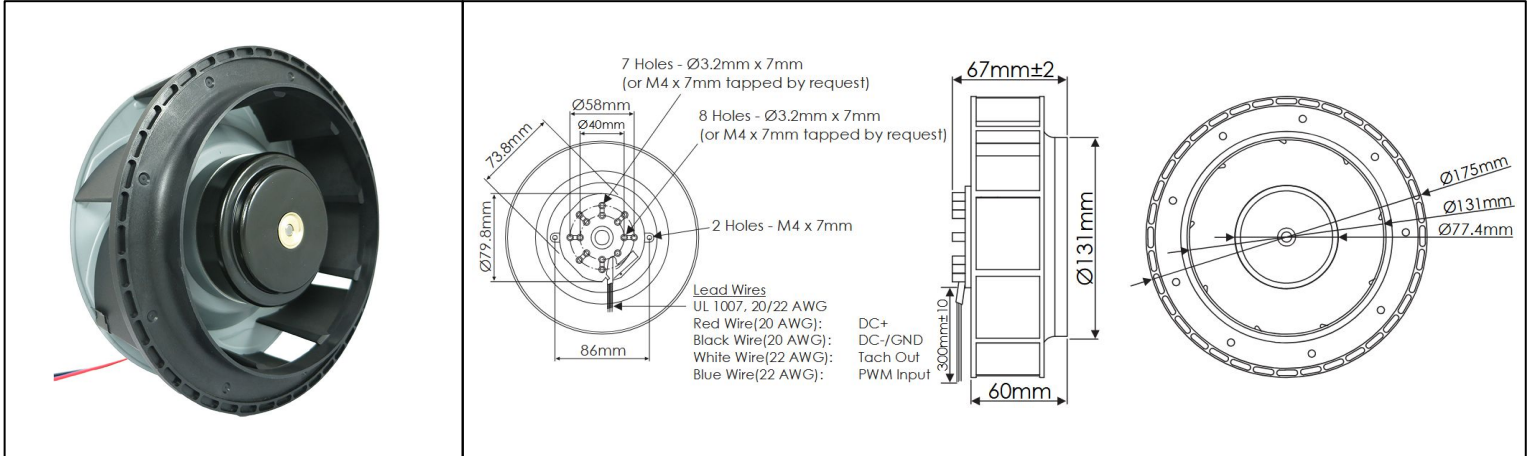


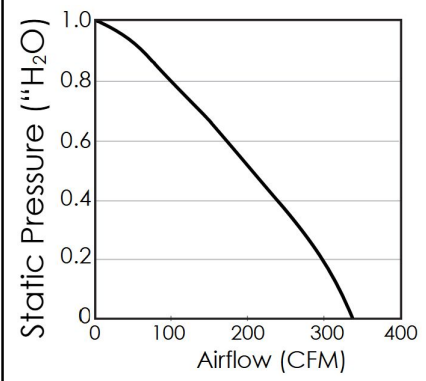
ODB17567 Series with PWM and Tach



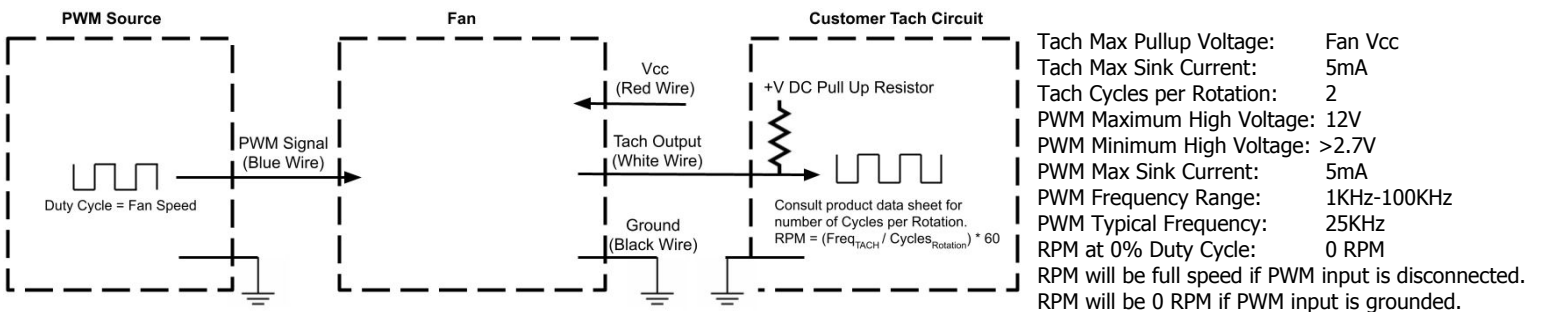
DC Centrifugal Fans - 12, 24, 48V
175mm x 67mm (6.9" x 2.6")



| | | |
|------------------------------|---|---|
| Frame | Die Cast Aluminum, Natural Finish | Operating Temperature -20°C ~ +65°C |
| Impeller | UL94 V-0 PA66 Plastic, SEEC Steel Impeller Base | Storage Temperature -20°C ~ +75°C |
| Connection | 4x Lead Wires, 20/22 AWG | Life Expectancy 90,000 Hours (L10 at 35°C) |
| Motor | Brushless DC, Auto Cutoff, Auto Restart, Electronically Protected, Polarity Protected | Installed Options PWM Speed Control Input Open Collector Tach Output |
| Bearing System | Ball Bearings | Available Options Intake Duct Ring P/N: DR1719D Alarm Output |
| Dielectric Strength | 500VDC/min, <1mA | Weight: 3.63 lbs |
| Insulation Resistance | ≥10MΩ @ 500 VDC | |



| Part Number | Rated Voltage (Volts DC) | Voltage Range (Volts DC) | Input Power (Watts) | Rated Current (Amps) | Rated Speed (RPM) | Max Airflow (CFM) | Noise Level (dBA) | Max Static Pressure (H ₂ O) |
|------------------|--------------------------|--------------------------|---------------------|----------------------|-------------------|-------------------|-------------------|--|
| ODB17567-12HB10A | 12 | 11 ~ 13.8 | 51 | 4.2 | 3000 | 337 | 65 | 1.07 |
| ODB17567-24HB10A | 24 | 22 ~ 26 | 51 | 2.1 | 3000 | 337 | 65 | 1.07 |
| ODB17567-48HB10A | 48 | 40 ~ 52 | 53 | 1.1 | 3000 | 337 | 65 | 1.07 |



Tach Max Pullup Voltage: Fan Vcc
 Tach Max Sink Current: 5mA
 Tach Cycles per Rotation: 2
 PWM Maximum High Voltage: 12V
 PWM Minimum High Voltage: >2.7V
 PWM Max Sink Current: 5mA
 PWM Frequency Range: 1KHz-100KHz
 PWM Typical Frequency: 25KHz
 RPM at 0% Duty Cycle: 0 RPM
 RPM will be full speed if PWM input is disconnected.
 RPM will be 0 RPM if PWM input is grounded.

Mouser Electronics

Authorized Distributor

Click to View Pricing, Inventory, Delivery & Lifecycle Information:

[Orion Fans:](#)

[ODB17567-12HB10A](#) [ODB17567-48HB10A](#) [ODB17567-24HB10A](#)