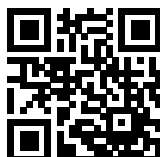


Versatile Filtered Power Entry Module



- Rated currents up to 6 A
- Single or dual-fuse holder
- Fuses Ø6.3 x 32 mm Ø5 x 20 mm
- 2-pole rocker switch
- General purpose application
- Optional medical versions (B type)



Performance indicators

Attenuation performance



Rated current [A]



Approvals & Compliances



The FN 380 power entry module combines an IEC inlet, a mains filter with a single or dual fuse holder and a 2-pole rocker switch. Choosing FN 380 product line brings you the rapid availability of a standard filter associated with the necessary safety acceptances. Standard IEC connector filters are a practical solution helping you to pass EMI system approval in a short time. A wide selection on amperage ratings, fuse options, mounting possibilities and filters for medical applications are designed to offer you the desired solution.

Features and Benefits

- Good conducted attenuation performance, based on chokes with high saturation resistance and excellent thermal behavior
- Front or snap-in mounting
- Single or dual-fuse holder
- USA Ø6.3 x 32 mm or EU Ø5 x 20 mm fuses
- 2-pole rocker switch

Technical Specifications

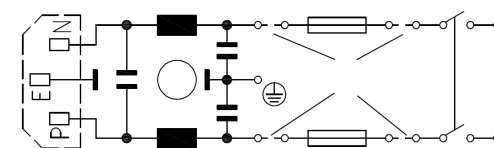
Maximum continuous operating voltage	250 VAC, 50/60 Hz
Operating frequency	50 to 400 Hz DC to 400 Hz
Rated currents	2 to 6 A @ 40°C max
High potential test voltage	P → PE 2000 VAC for 2 sec (standard types) P → PE 2500 VAC for 2 sec (B types) P → N 760 VAC for 2 sec
Protection category	IP 40 according to IEC 60529
Temperature range (operation and storage)	-25°C to +85°C (25/85/21)
Design corresponding to	UL 1283, CSA 22.2 No. 8 1986, IEC/EN 60939
Flammability corresponding to	UL 94 V-2 or better
MTBF @ 40°C/230 V (Mil-HB-217F)	550,000 hours
Function	2-pole, dark not illuminated Marking I - 0
Electrical specifications	Inrush current 51 A 6,000 on-off operations according to UL 1054, TV 5 10,000 on-off operations according to ENEC
Mechanical life	50,000 cycles
Switch ratings	
Europe (ENEC)	6 A (4 A), 250 VAC*
USA (UL)	6 A, 125 VAC; 4 A, 250 VAC; 1/10 HP
Canada (CSA)	6 A, 125 VAC; 4 A, 250 VAC; 1/10 HP

* Value in () relates to the inductive current charge: $\cos \varphi = 0.65$

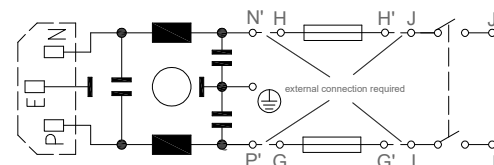
Typical Applications

- Portable electrical and electronic equipment
- Consumer goods
- EDP and office equipment
- Single-phase power supplies, switch-mode power supplies
- Test and measurement equipment
- Medical equipment

Typical electrical schematic (single fuse)



Typical electrical schematic (dual fuse)



Filter Selection Table

Filter*	Rated current @ 40°C (25°C) [A]	Leakage current** @ 230 VAC/50 Hz [µA]	Inductance*** L [mH]	Capacitance***		Resistance*** R [kΩ]	Fuses**** [Qty]	Weight [g]
				Cx [nF]	Cy [nF]			
FN 380-2-2 z	2 (2.4)	373	0.70	47	2.2		1	55
FN 380-4-2 z	4 (4.8)	373	0.30	47	2.2		1	55
FN 380-6-2 z	6 (7.2)	373	0.18	47	2.2		1	55
FN 382-2-2 z	2 (2.4)	373	0.70	47	2.2		2	55
FN 382-4-2 z	4 (4.8)	373	0.30	47	2.2		2	55
FN 382-6-2 z	6 (7.2)	373	0.18	47	2.2		2	55
FN 388-2-2 z	2 (2.4)	373	0.70	47	2.2		2	60
FN 388-4-2 z	4 (4.8)	373	0.30	47	2.2		2	60
FN 388-6-2 z	6 (7.2)	373	0.18	47	2.2		2	60
FN 389-2-2 z	2 (2.4)	373	2.00	47	2.2		2	70
FN 389-4-2 z	4 (4.8)	373	0.80	47	2.2		2	70
FN 389-6-2 z	6 (7.2)	373	0.50	47	2.2		2	70
FN 382 B-2-2 z	2 (2.4)	2	0.70	47		1000	2	55
FN 382 B-4-2 z	4 (4.8)	2	0.30	47		1000	2	55
FN 382 B-6-2 z	6 (7.2)	2	0.18	47		1000	2	55
FN 385 B-2-2 z	2 (2.4)	2	2.00	47		1000	2	65
FN 385 B-4-2 z	4 (4.8)	2	0.80	47		1000	2	65
FN 385 B-6-2 z	6 (7.2)	2	0.50	47		1000	2	65
FN 389 B-2-2 z	2 (2.4)	2	2.00	47		1000	2	70
FN 389 B-4-2 z	4 (4.8)	2	0.80	47		1000	2	70
FN 389 B-6-2 z	6 (7.2)	2	0.50	47		1000	2	70

* Select the requested fuse holder for fuse EUR-1 or USA-1 (z).

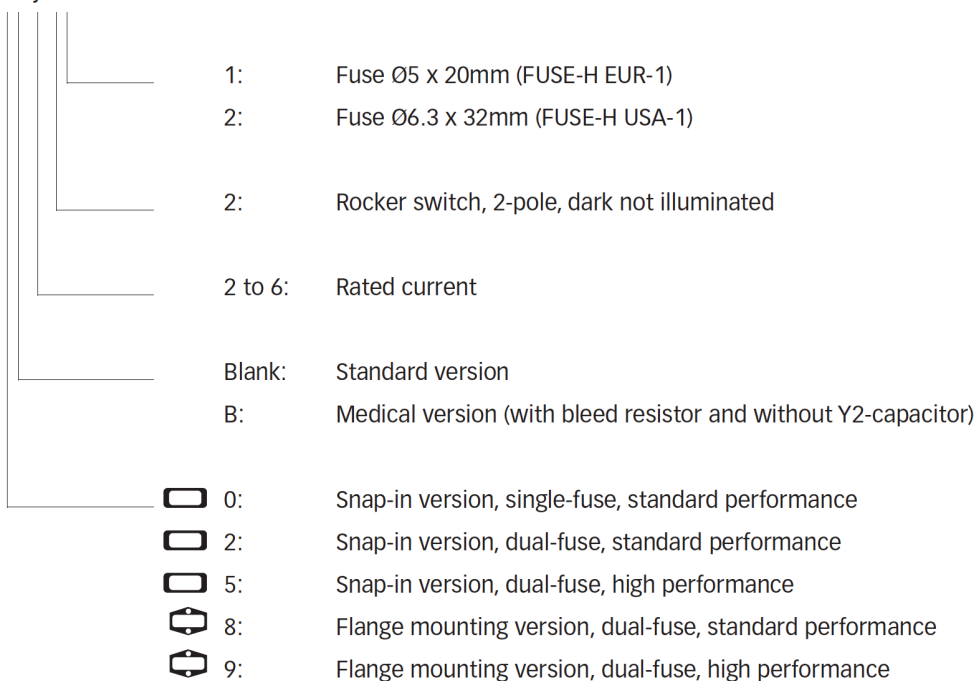
** Maximum leakage under normal operating conditions. Note: if the neutral line is interrupted, worst case leakage could reach twice this level.

*** Tolerances apply: Inductance: -30/+50%, Capacitance: ±20%, Resistance: ±10%

**** Filters are delivered without fuse.

Product selector

FN 38xx-y-zz

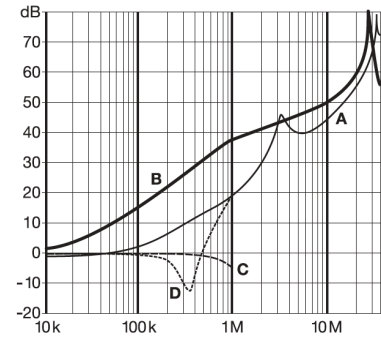
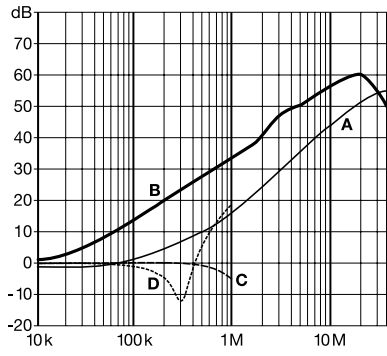


Typical Filter Attenuation

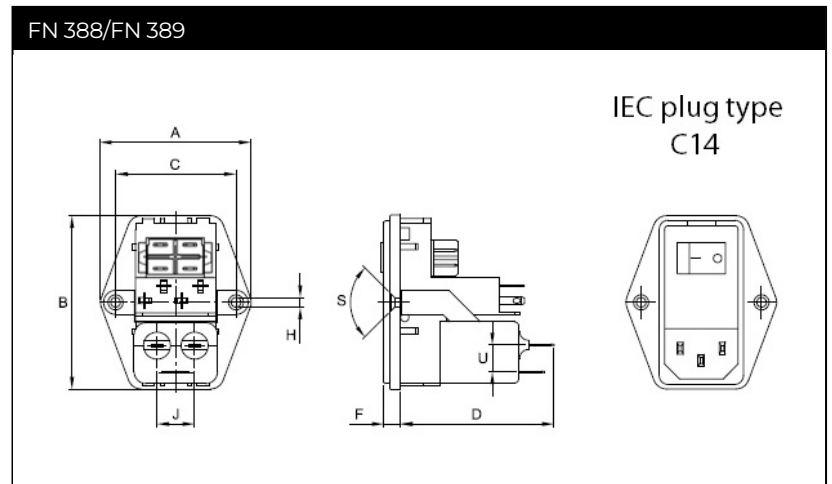
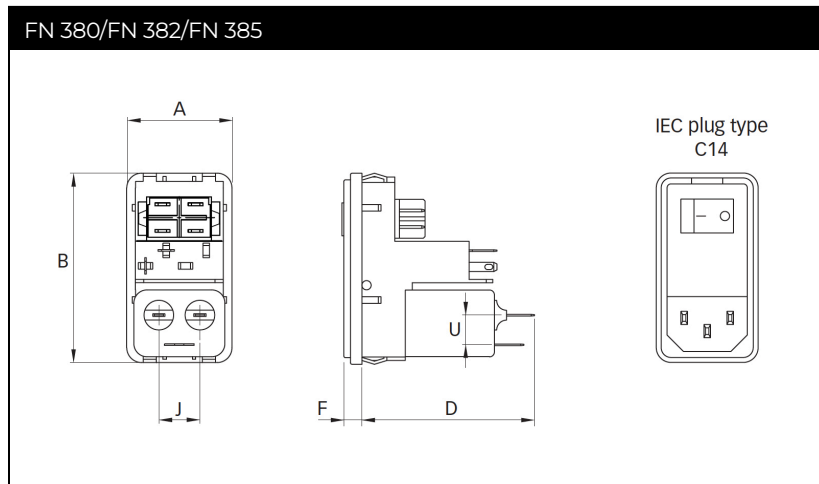
Per CISPR 17; A=50 Ω/50 Ω sym; B=50 Ω/50 Ω asym; C=0.1 Ω/100 Ω sym; D=100 Ω/0.1 Ω sym

FN 380/FN 382/FN 388

FN 385/FN 389



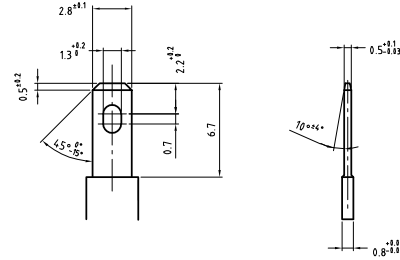
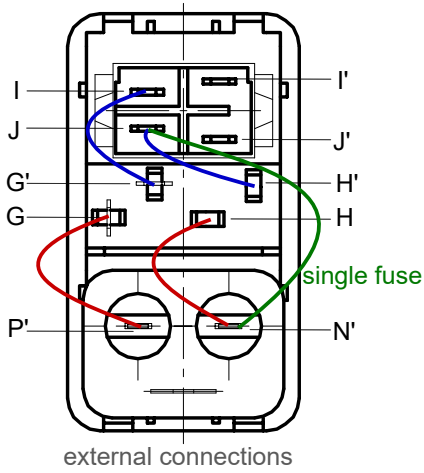
Mechanical Data



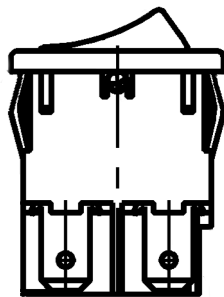
Connection designation

Output terminal (Filter and Fuse)

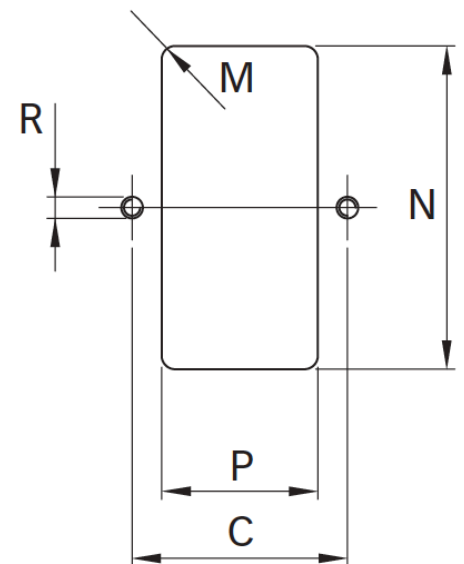
Panel cut out



Output terminal (Switch)



Blade terminals of switch acc. DIN 46 244-A4.8-0.8 (do not connect by soldering)



Dimensions

	FN 380	FN 382	FN 385	FN 388	FN 389	Tolerances
A	32	32	32	50	50	±0.3
B	58	58	58	58	58	±0.3
C				40	40	±0.1
D	51	51	61	51	61	
F	5.5	5.5	5.5	5.5	5.5	
H				Ø3.3	Ø3.3	
J	12.5	12.5	12.5	12.5	12.5	
M	R ≤2	R ≤2	R ≤2	R ≤2	R ≤2	±0.1
N	55.9*/56.2**	55.9*/56.2**	55.9*/56.2**	55.9*/56.2**	55.9*/56.2**	+0.2/-0
P	28.5	28.5	28.5	28.5	28.5	+0.2/-0
R				M3	M3	
S				90°	90°	
U	9	9	9	9	9	

* For a back panel thickness between 0.8 and 2.0 mm

** For a back panel thickness between 2.1 and 3.2 mm

All dimensions in mm; 1 inch=25.4 mm

Tolerances according: ISO 2768-m/EN 22768-m

Please visit www.schaffner.com to find more details on filter connectors.

Headquarters, Global Innovation and Development

Switzerland

Schaffner Holding AG

Industrie Nord
Nordstrasse 11e
4542
Luterbach
+41 32 681 66 26
info@schaffner.com

Sales and Application Centers

China

Schaffner EMC Ltd. Shanghai

T20-3 C, No 565 Chuangye Road, Pudong district
201201
Shanghai
+86 2138139500
cschina@schaffner.com

Finland

Schaffner Oy

Sauvonrinne 19 H
8500
Lohja
+358 50 468 7284
finlandsales@schaffner.com

France

Schaffner EMC S.A.S.

16-20 Rue Louis Rameau
95875
Bezons
+33 1 34 34 30 60
francesales@schaffner.com

Germany

Schaffner Deutschland GmbH

Schoemperlenstrasse 12B
76185
Karlsruhe
+49 721 56910
germanysales@schaffner.com

India

Schaffner India Pvt. Ltd

Regus World Trade Centre
WTC, 22nd Floor Unit No 2238, Brigade Gateway Campus, 26/1, Dr. Rajkumar Road Malleshwaram (W)
560055
Bangalore
+91 8067935355
indiasales@schaffner.com

Italy

Schaffner EMC S.r.l.

Via Ticino, 30
20900
Monza (MB)
+39 039 21 41 070
italysales@schaffner.com

Japan

Schaffner EMC K.K.

ISM Sangenjaya 7F
1-32-12 Kamiyama, Setagaya-ku
154-0011
Tokyo
+81 3 5712 3650
japansales@schaffner.com

Singapore

Schaffner EMC Pte Ltd.

Blk 3015A Ubi Road 1, #05-09, Kampong Ubi Industrial Estate
408705
Singapore
+65 63773283
singaporesales@schaffner.com

Spain

Schaffner EMC España

Calle Caléndula 93, Miniparc III, Edificio E El Soto de Moraleja, Alcobendas
28109
Madrid
+34 917 912 900
spainsales@schaffner.com

Sweden

Schaffner EMC AB

Östermalmstrorg 1
114 42
Stockholm
+46 8 5050 2425
swedensales@schaffner.com

Switzerland

Schaffner EMV AG

Industrie Nord
Nordstrasse 11e
4542
Luterbach
+41 32 681 66 26
switzerlandsales@schaffner.com

Taiwan

Schaffner EMV Ltd.

U-Town
20 Floor-2, No 97, Section 1, XinTai 5th Road, XiZhi District
22175
New Taipei City
+886 226975500
taiwansales@schaffner.com

Thailand

Schaffner EMC Co. Ltd.

Sathorn Square Tower
Room 3780, 37FL, 98 North-Sathorn Rd, Silom, Bangrak
10500
Bangkok
+66 621056397
thailandsales@schaffner.com

United Kingdom

Schaffner Ltd.

1, Oakmede Place
Terrace Road
RG42 4JF
Binfield
+44 118 9770070
uksales@schaffner.com

United States

Schaffner EMC Inc.

52 Mayfield Avenue
Edison, New Jersey
+1 732 225 9533
usasales@schaffner.com

To find your local partner within Schaffner's global network schaffner.com

© 2022 Schaffner Group

The content of this document has been carefully checked and understood. However, neither Schaffner nor its subsidiaries assume any liability whatsoever for any errors or inaccuracies of this document and the consequences thereof. Published specifications are subject to change without notice. Product suitability for any area of application must ultimately be determined by the customer. In all cases, products must never be operated outside their published specifications. Schaffner does not guarantee the availability of all published products. This disclaimer shall be governed by substantive Swiss law and resulting disputes shall be settled by the courts at the place of business of Schaffner Holding AG. Latest publications and a complete disclaimer can be downloaded from the Schaffner website. All trademarks recognized.

Mouser Electronics

Authorized Distributor

Click to View Pricing, Inventory, Delivery & Lifecycle Information:

Schaffner:

[FN382-4/06](#) [FN388-6-22](#) [FN388-4-22](#) [FN382-4-22](#) [FN389B-6-22](#) [FN380-2-21](#) [FN380-2-22](#) [FN380-4-21](#) [FN380-4-22](#) [FN380-6-21](#) [FN380-6-22](#) [FN382-2-21](#) [FN382-2-22](#) [FN382-4-21](#) [FN382-6-21](#) [FN382-6-22](#) [FN382B-2-21](#) [FN382B-2-22](#) [FN382B-4-22](#) [FN382B-6-21](#) [FN382B-6-22](#) [FN388-2-21](#) [FN388-2-22](#) [FN388-4-21](#) [FN388-6-21](#) [FN388B-2-21](#) [FN389-2-21](#) [FN389-2-22](#) [FN389-4-21](#) [FN389-4-22](#) [FN389-6-21](#) [FN389-6-22](#) [FN389B-2-21](#) [FN389B-2-22](#) [FN389B-4-21](#) [FN389B-4-22](#) [FN389B-6-21](#) [FN382B-4-21](#) [FN385B-6-22](#) [FN382-6-..](#) [FN385-6-..](#) [FN385B-2-..](#) [FN385B-4-..](#)