

FEATURES

※Left or right operation direction

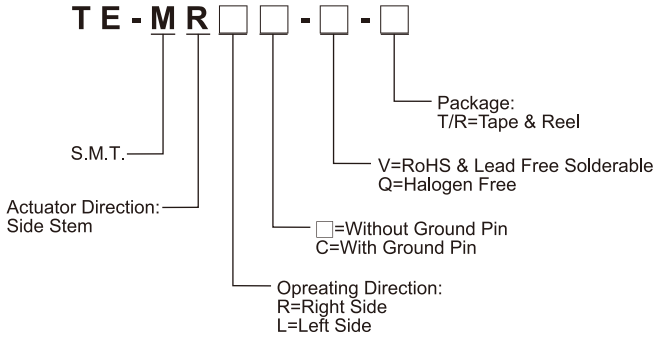
APPLICATION

- ※Close/open detection
- ※White goods
- ※Automotive

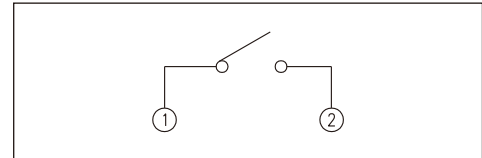
SPECIFICATION

Contact Rating	50mA, 20V DC
Contact Resistance	1Ω max.
Insulation Resistance	100MΩ min. 100V DC
Dielectric Strength	100V AC/1 minute
Operating Force	50gf max.
Travel	2.15mm
Operating Life	100,000 cycles
Operating Temp.	-10°C ~ +60°C
Storage Temp.	-20°C ~ +70°C

HOW TO ORDER



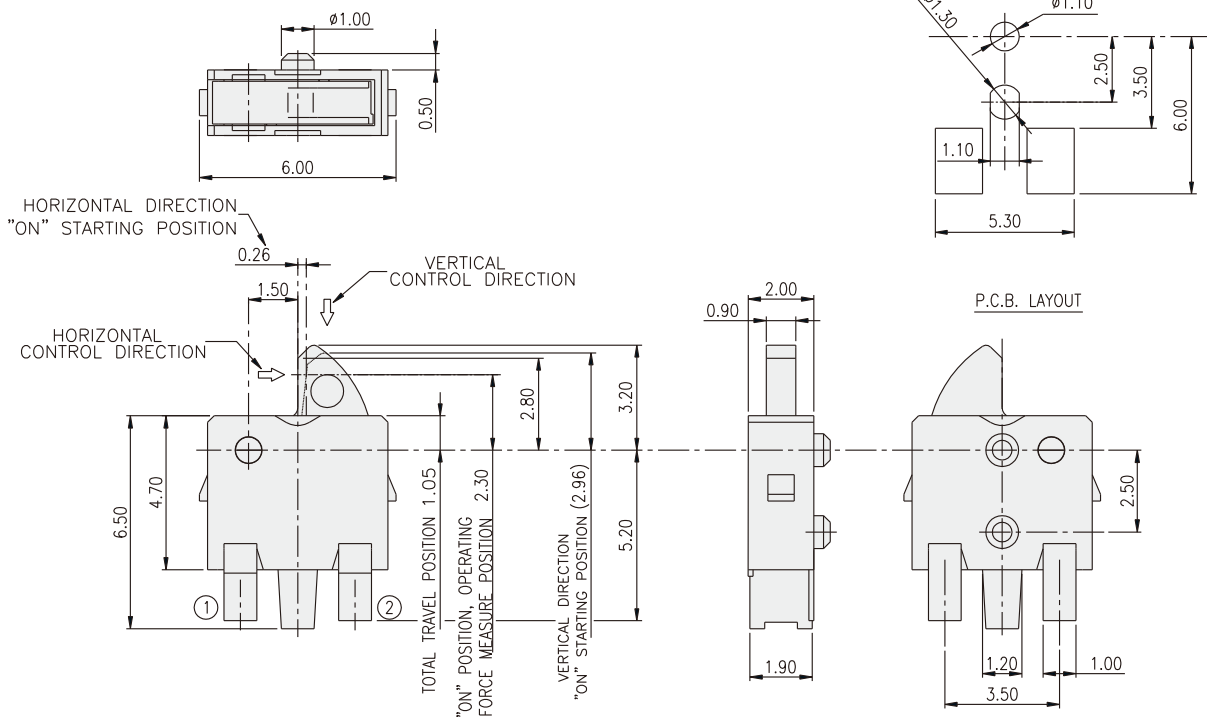
CIRCUIT



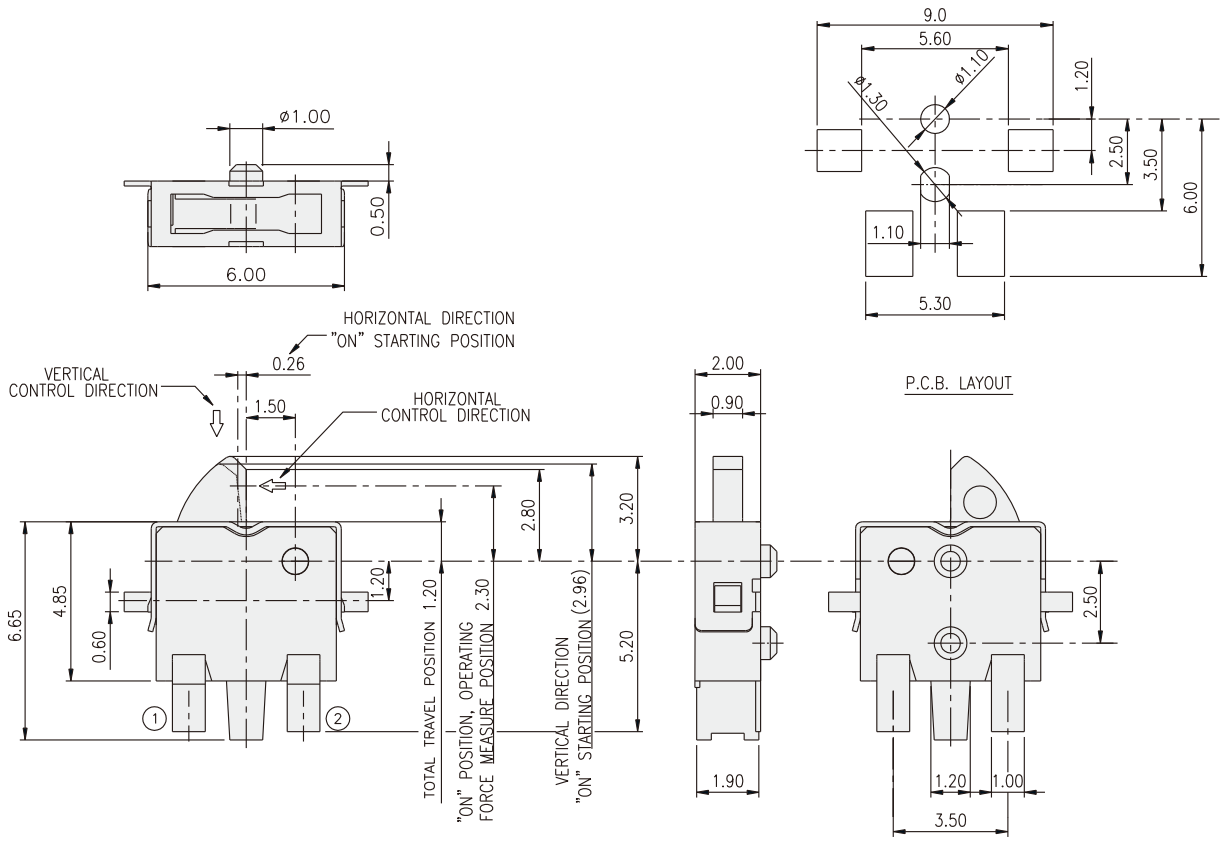
PACKAGE

<Tape & Reel>
TE-MR□: 3000 pcs
TE-MR□C: 2000 pcs

TE-MRR



TE-MRLC



Mouser Electronics

Authorized Distributor

Click to View Pricing, Inventory, Delivery & Lifecycle Information:

[Diptronics:](#)

[TE-MRRC-V-T/R](#) [TE-MRR-V-T/R](#) [TE-MRL-V-T/R](#) [TE-MRLC-V-T/R](#)