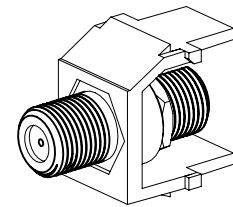
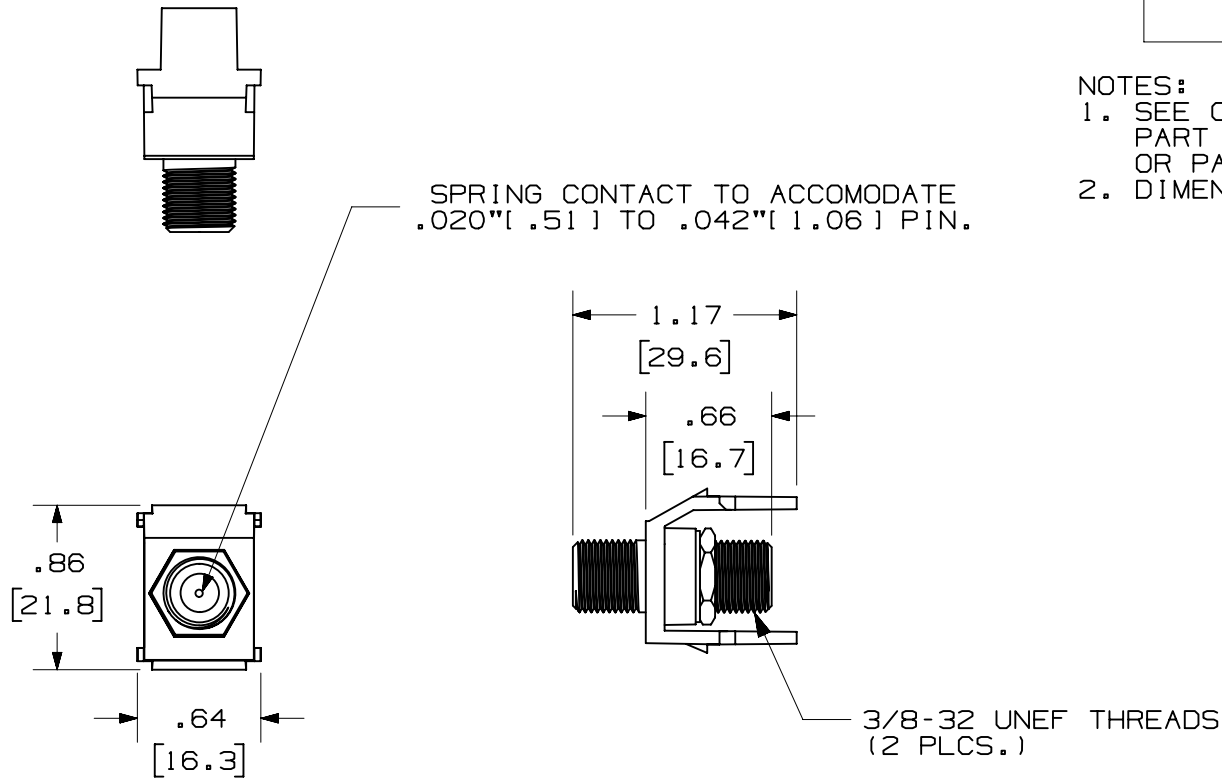


THIS COPY IS PROVIDED ON A RESTRICTED BASIS AND IS NOT TO BE USED IN ANY WAY DETRIMENTAL TO THE INTERESTS OF PANDUIT CORP.

PANDUIT P/N	WEIGHT
NKF**	.25 LB/10 PCS (115 g/10 PCS)

- NOTES:
- SEE CURRENT CATALOG FOR ADDITIONAL PART SUFFIXES TO INDICATE COLOR AND OR PACKAGE QUANTITY.
 - DIMENSIONS IN [] ARE IN METRIC.



PART NUMBER		NKF**	
TITLE			
NETKEY 3GHz F-TYPE COUPLER MODULE			
CUSTOMER DRAWING			
ITEM REVISION NAME		M01557AB/01	
DATASET FILE NAME		M01557AB_DC05/01A	
UNLESS OTHERWISE SPECIFIED, DIMENSIONAL TOLERANCES ARE: IN [mm]		MATERIAL:	
.x ± .03 [.8]		MODULE BASE: ABS	
.xxx ± .010 [.3]		COULPER: NICKEL	
ANGLES ±		PLATED BRASS	
DRAWING NUMBER:		01557-05	
THIRD ANGLE PROJECTION	SHT 1 OF 1		
DRAWN BY	DATE	CHK	SCALE
JSP	3-16-04	MJD	NONE
REV	DATE	BY	CHK
2	01/23/17	MDJR	NAGL
1	5/19/14	JSP	REFR
R	3-16-04	JSP	MJD
DESCRIPTION		ECN	
B. UPDATED DRAWING WITH NEW MODEL.		01557-05	
A. REVISED DRAWING TITLE BLOCK.		01557-05	
RELEASED TO PRODUCTION		01557-05	
DESCRIPTION		ECN	

D10100DA/14