

Double-pole Rocker Switch

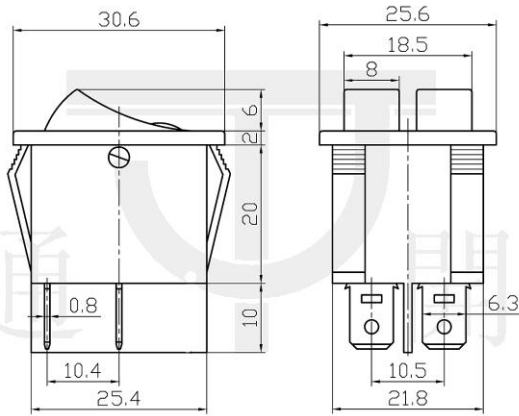
Q-651

TYPE: **RS-2101E-1C**

SPECIFICATIONS

Contact Type: DPST
Rating: 16A 250V AC
Contact R: 35mΩ max
Insulation R: 500V DC 100MΩ min
Dielectric Strength: 1 Minute 1500V AC
Operating Temperature: -25°C ~ +85°C
Electrical Life: 10, 000 Cycles

Outline Drawing



Mounting



Circuitry

