





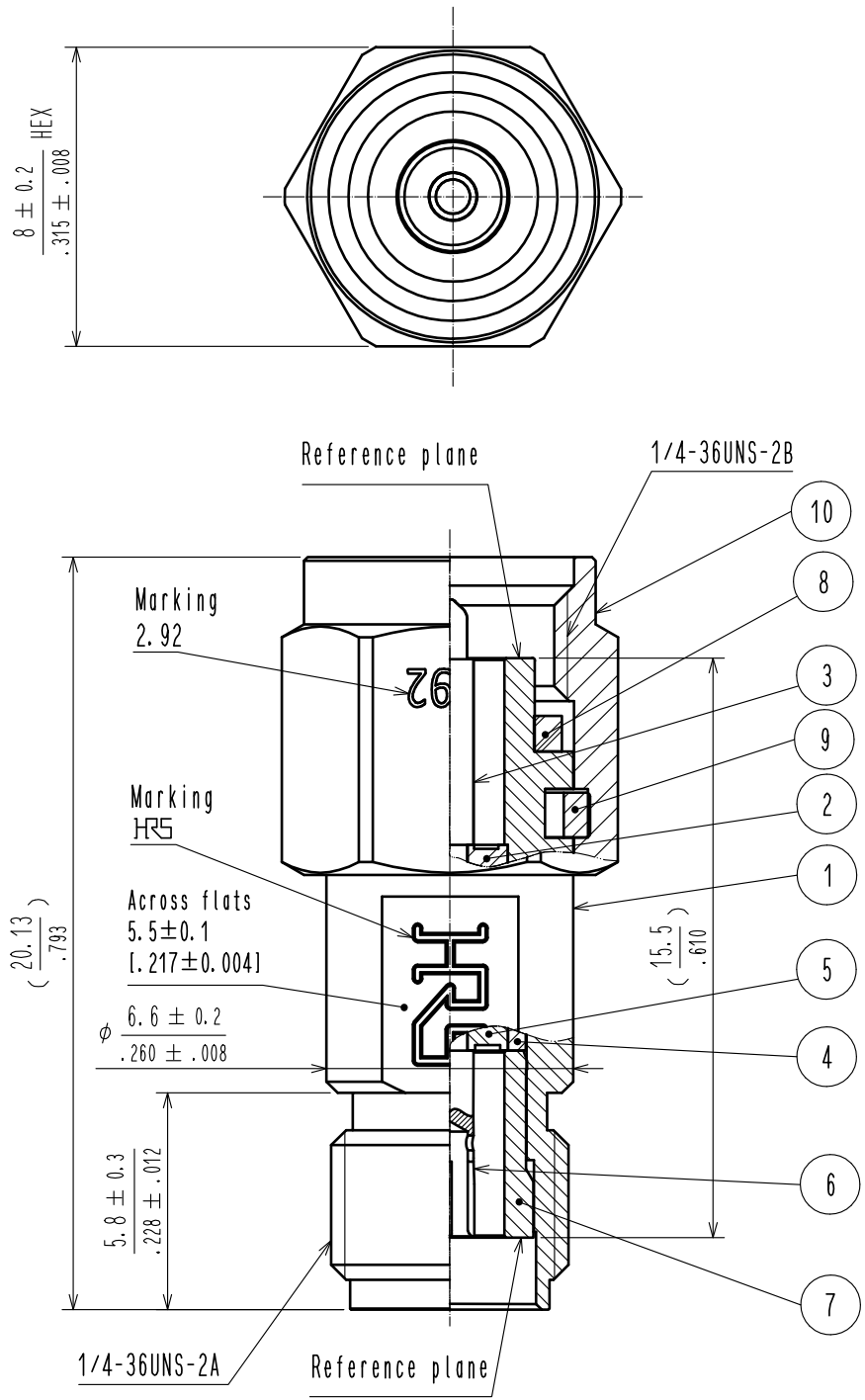
Applicable standard					
Rating	Operating temperature range	-55 °C to +125 °C (95 %RH Max.)	Storage temperature range	-55 °C to +125 °C (95 %RH Max.)	
	Power	-- W	Characteristic impedance	50 Ω (0 to 40 GHz)	
	Peculiarity	----	Applicable cable	----	
SPECIFICATIONS					
ITEM	TEST METHOD		REQUIREMENTS	QT	AT
CONSTRUCTION					
General examination	Visually and by measuring instrument.		According to drawing.	X	X
Marking	Confirmed visually.			X	X
ELECTRICAL CHARACTERISTICS					
Contact resistance	100 mA Max.(DC or 1000 Hz)		Center contact 8 mΩ Max.	X	X
			Outer contact 4 mΩ Max.	X	X
Insulation resistance	500 V DC.		1000 MΩ Min.	X	X
Withstanding voltage	500 V AC for 1 min. current leakage 2 mA Max.		No flashover or breakdown.	X	X
Voltage standing wave ratio	Frequency 0 to 18 GHz.		VSWR 1.1 Max.	X	X
	Frequency 18 to 26.5 GHz		VSWR 1.15 Max.		
	Frequency 26.5 to 40 GHz.		VSWR 1.2 Max.		
Insertion loss	Frequency 0 to 40 GHz.		$0.04\sqrt{f}$ dB Max.	X	X
MECHANICAL CHARACTERISTICS					
Contact insertion and extraction forces	ϕ 0.91 $^{+0.005}_0$ by steel gauge.		Insertion force --- N Max.	—	—
			Extraction force 0.5 to 4.9 N	X	X
Insertion and extraction forces	Measured by applicable connector.		Insertion force --- N Max.	—	—
			Extraction force --- N Min.	—	—
Mechanical operation	1000 times insertion and extractions.		1)Contact resistance:  Center contact 12 mΩ Max. Outer contact 8 mΩ Max. 2)No damage, crack and looseness of parts.	X	—
Vibration	Frequency 10 to 2000 Hz single amplitude 0.75 mm, 196 m/s ² at 10 cycles for 3 directions.		1)No electrical discontinuity of 1 μs. 2)No damage, crack and looseness of parts.	X	—
Shock	1960 m/s ² directions of pulse 6 ms at 3 times for 6 directions.			X	—
Cable clamp strength (Against cable pull)	Using a pulling tester, pull the cable axially at a rate of mm/min. and record the strength at which the cable or connector breaks.		N Min.	—	—
ENVIRONMENTAL CHARACTERISTICS					
Damp heat	Exposed at -10 to +65 °C, 90 to 98 % total 10 cycles.(240 h)		1)Insulation resistance: 10 MΩ Min. (at high humidity) 2) Insulation resistance: 1000 MΩ Min. (at dry) 3)No damage, crack and looseness of parts.	X	—
Rapid change of temperature	Temperature -65 → — →+125 → — °C Time 30 → 3 →30 →3 min. Under 5 cycles.		No damage, crack and looseness of parts.	X	—
Corrosion salt mist	Exposed in 5 % salt water spray for 48 h.		1.1 Max. (Frequency 0 ~ 18 GHz.) VSWR 1.15 Max.(Frequency 18~26.5 GHz.) 1.2 Max. (Frequency 26.5~40 GHz.)	X	—
Count	Description of revisions		Designed	Checked	Date
 1	DIS-D-00002666		YI.FUNADA	TO.KATAYAMA	17.11.25
Remark			Approved	KY.SHIMIZU	17.03.15
RoHS COMPLIANT			Checked	KY.SHIMIZU	17.03.15
			Designed	TY.OZAKI	17.03.15
Unless otherwise specified, refer to IEC 60512.			Drawn	TY.OZAKI	17.03.15
Note QT:Qualification Test AT:Assurance Test X:Applicable Test		Drawing No.	ELC-374781-00-00		
	SPECIFICATION SHEET		Part No.	HK-A-PJ	
	HIROSE ELECTRIC CO., LTD.		Code No.	CL338-0097-0-00	 1/11

DRAWING FOR REFERENCE: This is subject to change without notice

2018/01/23 01:56:18 (JST) Hayley North

1 2 3 4

A
B
C
D
E



RoHS Compliant

5	PPO		10	Stainless steel	Passivate
4	Stainless steel	Gold plated	9	Beryllium copper	Nickel plated
3	Beryllium copper	Gold plated	8	Silicone rubber	(Red)
2	PTFE		7	Stainless steel	Gold plated
1	Stainless steel	Passivate	6	Beryllium copper	Gold plated
NO.	MATERIAL	FINISH . REMARKS	NO.	MATERIAL	FINISH . REMARKS

UNITS mm		SCALE 5 : 1	COUNT 	DESCRIPTION OF REVISIONS	DESIGNED	CHECKED	DATE
		APPROVED : KY. SHIMIZU 17. 03. 15		DRAWING NO. EDC-374781-00-00			
HIROSE ELECTRIC CO., LTD.		CHECKED : KY. SHIMIZU 17. 03. 15		PART NO. HK-A-PJ			
		DESIGNED : TY. OZAKI 17. 03. 15		CODE NO. CL338-0097-0-00			
		DRAWN : TY. OZAKI 17. 03. 15					

F

Mouser Electronics

Authorized Distributor

Click to View Pricing, Inventory, Delivery & Lifecycle Information:

[Hirose Electric:](#)

[HK-A-PJ](#)