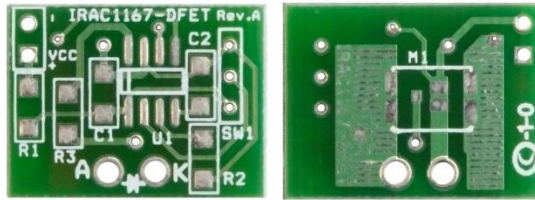


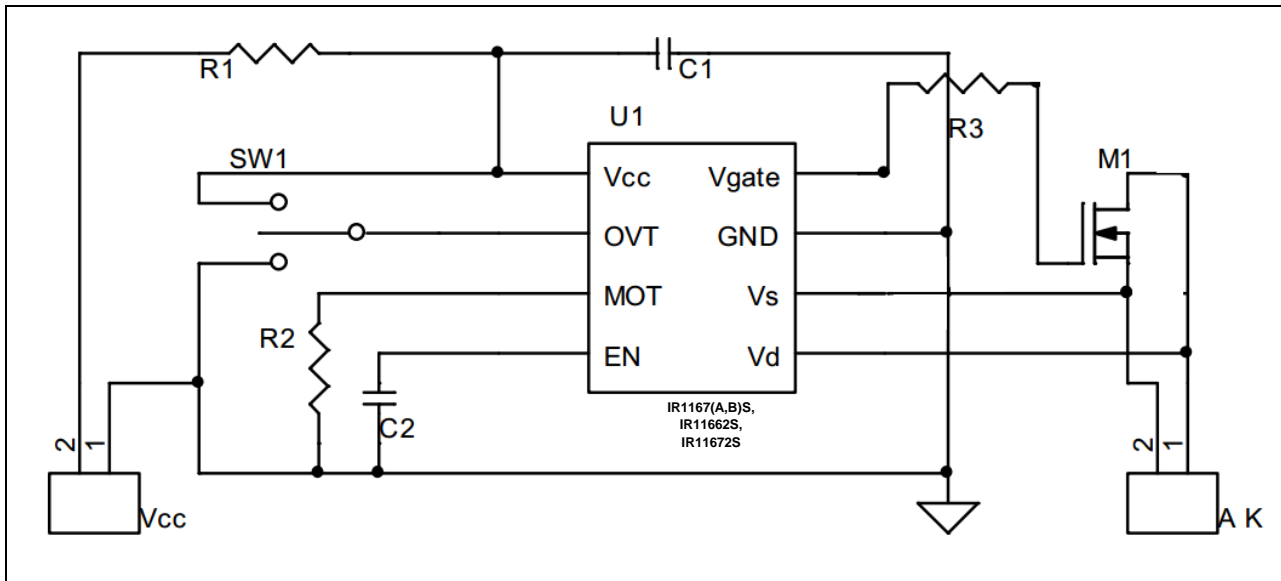
IR1167, IR11662, IR11672 – DirectFET Daughter Card



(top)

(bottom)

The schematic for the daughter board is shown below.



| ID | SMD Size | Description |
|----|--------------|----------------------------------|
| U1 | SOIC8 | IR1167(A,B)S, IR11662S, IR11672S |
| R1 | 1206 | V _{CC} Series Resistor |
| R2 | 1206 | MOT Resistor |
| R3 | 2010 | Gate Resistor |
| C1 | 1210 | Decoupling Capacitor |
| C2 | 1206 | Enable Capacitor |
| M1 | D-FET MN can | Synchronous FETs |

SW1 needs to be set according to the following table (See **AN1087** for details)

| System Mode of Operation | OVT connected to (typical values) |
|--------------------------|--|
| DCM or CrCM | Ground, V _{TH1} = -3.5mV |
| Boundary CCM | Floating, V _{TH1} = -10.5mV |
| CCM | V _{CC} , V _{TH1} = -19mV |

The daughter card shown above is designed to allow easy retrofitting in existing systems with minimal changes.

Mouser Electronics

Authorized Distributor

Click to View Pricing, Inventory, Delivery & Lifecycle Information:

[Infineon:](#)

[IRAC1167-D3](#)