

RP8100 SERIES PUSHBUTTON SWITCH

ANTI-VANDAL SWITCHES
DETECTOR SWITCHES
DIP SWITCHES
KEYLOCK SWITCHES
NAVIGATION SWITCHES
PUSHBUTTON SWITCHES
ROCKER SWITCHES
ROTARY SWITCHES
SLIDE SWITCHES
SNAP ACTION SWITCHES
TACTILE SWITCHES
TOGGLE SWITCHES
CAP OPTIONS



APPLICATIONS / MARKETS



Audio / Visual



Electrical Housewares



Floor Care Appliances



White Goods



Instrumentation



Medical Equipment

RoHS

SPECIFICATIONS

Electrical Rating:
125mA @ 125VAC, 100mA @ 50VDC
Life Expectancy: 500,000 Cycles at full load
Contact Resistance: 50mΩ Max. (initial)
Insulation Resistance: 1,000MΩ Min. @ 500VDC
Dielectric Strength: 1,000VAC rms
Operating Temperature: -30°C to 85°C
Travel: 1.5mm
Contact Arrangement: SPST, Off-(On), Momentary
Actuation Force: 350 gf
Contact Bounce: 10ms MAX
Ingress Protection: IP67

FEATURES & BENEFITS

- Threaded or snap in panel mount
- 500,000 life expectancy
- LED illumination options
- Sealed to IP67 ratings
- Molded back w/ wire leads (500mm long) optional

PART NUMBER CONFIGURATOR

Series	Bushing	Termination	Contact Material	Seal	Housing Color	Cap Color	LED Color
<input type="checkbox"/> <input type="checkbox"/> <input type="checkbox"/> <input type="checkbox"/> <input type="checkbox"/> <input type="checkbox"/> <input type="checkbox"/> <input type="checkbox"/> <input type="checkbox"/> <input type="checkbox"/> <input type="checkbox"/> <input type="checkbox"/> <input type="checkbox"/> <input type="checkbox"/> <input type="checkbox"/> <input type="checkbox"/> <input type="checkbox"/> <input type="checkbox"/> <input type="checkbox"/> <input type="checkbox"/> <input type="checkbox"/>	<input type="checkbox"/> <input type="checkbox"/>	<input type="checkbox"/> <input type="checkbox"/>	<input type="checkbox"/>	<input type="checkbox"/>	<input type="checkbox"/> <input type="checkbox"/> <input type="checkbox"/> <input type="checkbox"/>	<input type="checkbox"/> <input type="checkbox"/> <input type="checkbox"/> <input type="checkbox"/>	<input type="checkbox"/> <input type="checkbox"/> <input type="checkbox"/> <input type="checkbox"/>
RP8100 RP8101*	B1 - Snap In B2 - Threaded (12 x 0.75)*	M1 - Solder Lug W1 - Molded Back w/Wire Leads 500mm long	C - Gold Over Silver	E - Epoxy Sealed	BLK - Black	WHT - White BLK - Black RED - Red ORG - Orange YEL - Yellow GRN - Green BLU - Blue	WHT - White LED RED - Red LED YEL - Yellow LED GRN - Green LED BLU - Blue LED RG - Red/Green LED RB - Red/Blue LED NIL - Non Illuminated*

*The RP8101 series is only offered with B2 Bushing and is non-illuminated.

Specifications subject to change without notice 8.25.2021



E-SWITCH®

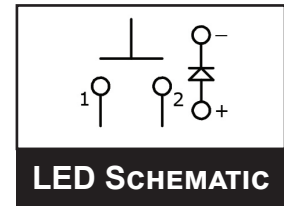
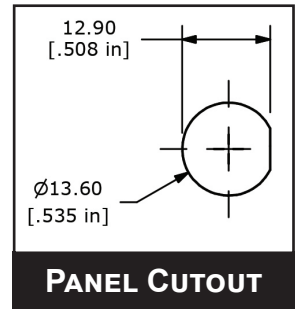
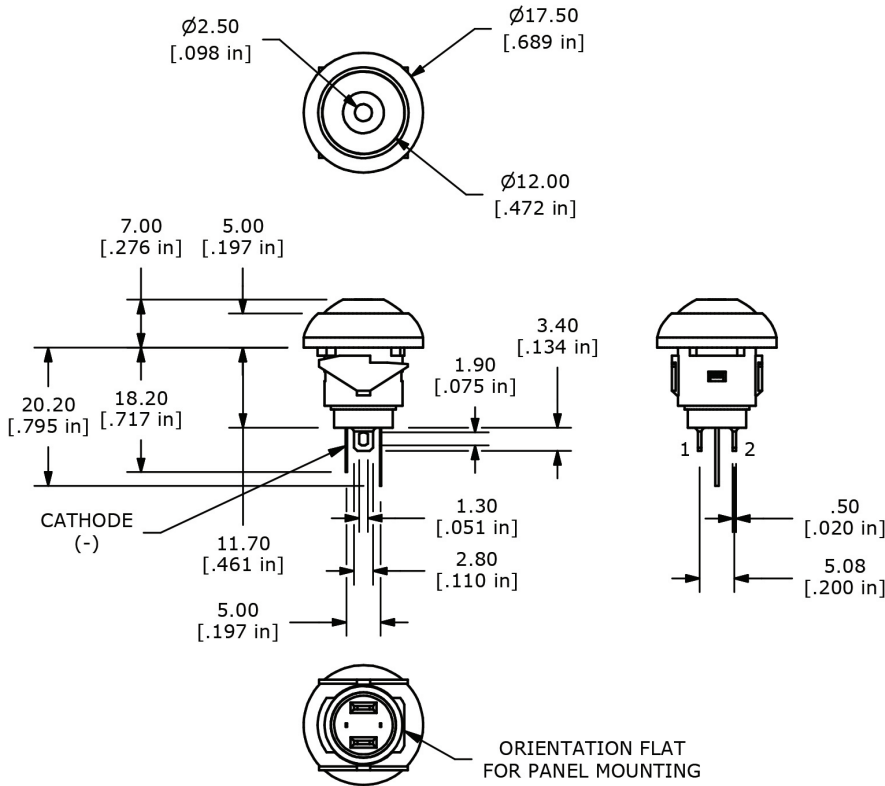
www.e-switch.com

800.867.2717

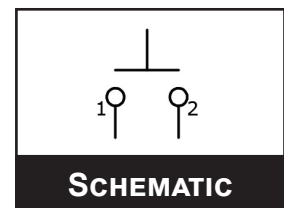
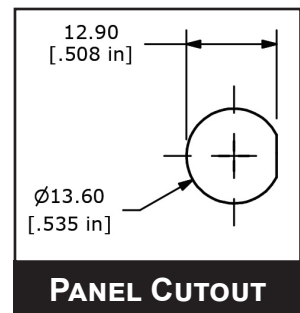
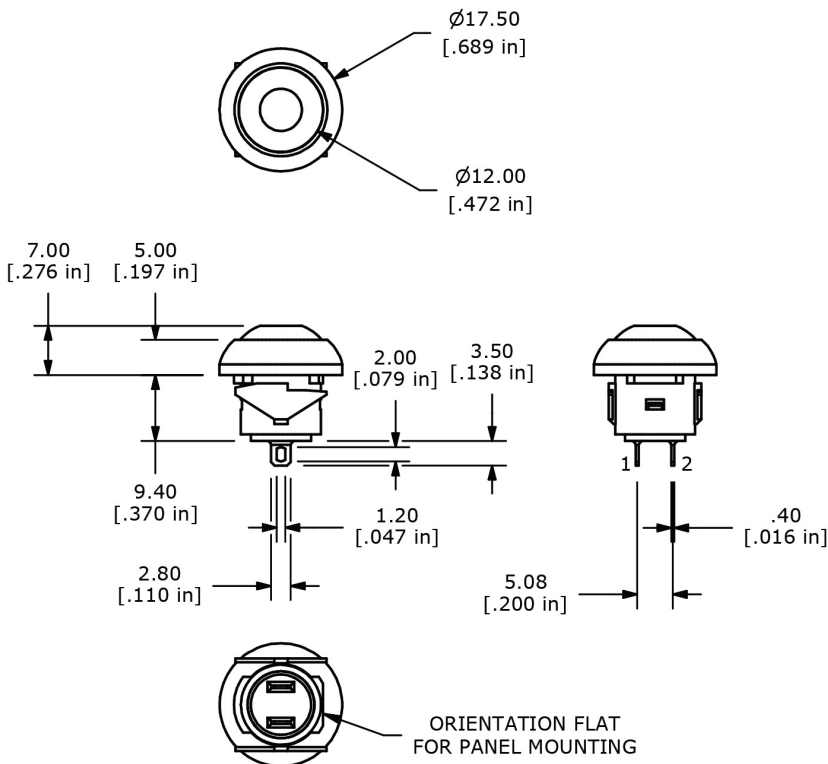
1

RP8100 SERIES PUSHBUTTON SWITCH

RP8100 w/LED B1 BUSHING



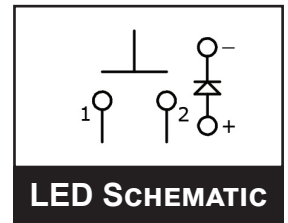
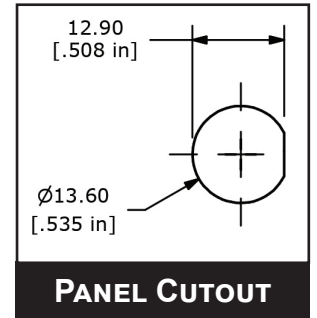
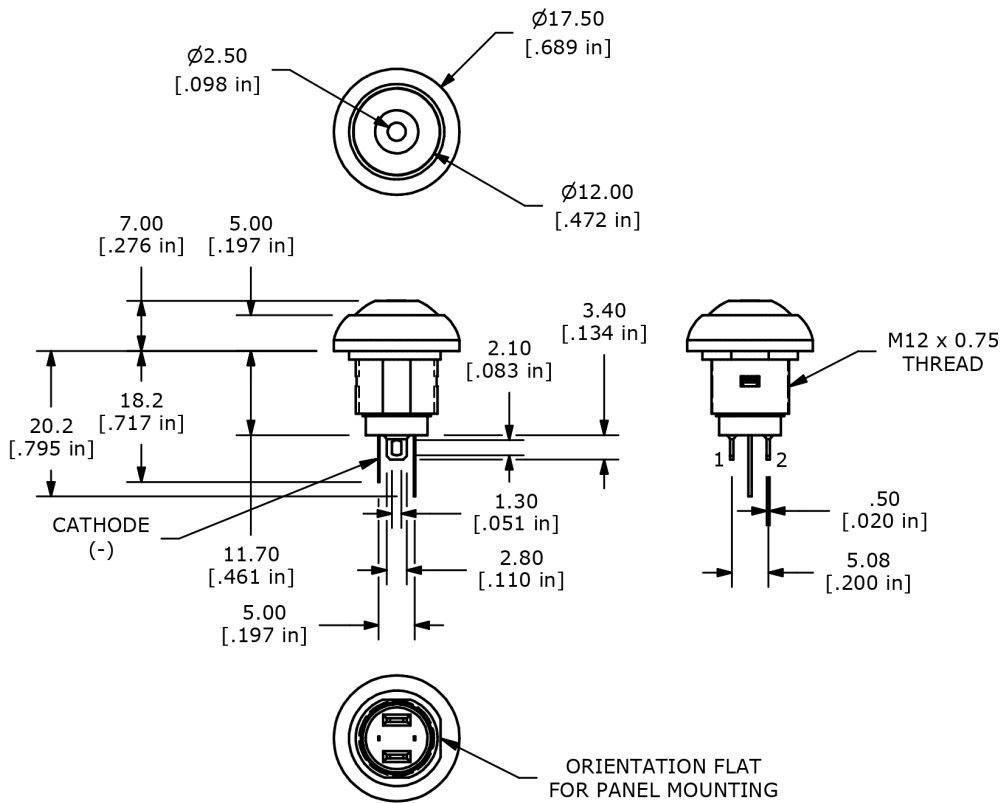
RP8100 w/o LED B1 BUSHING



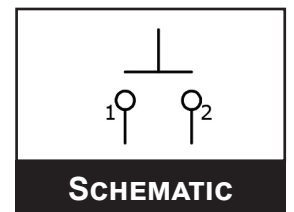
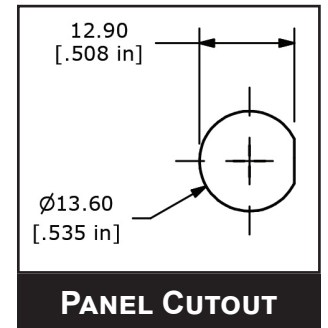
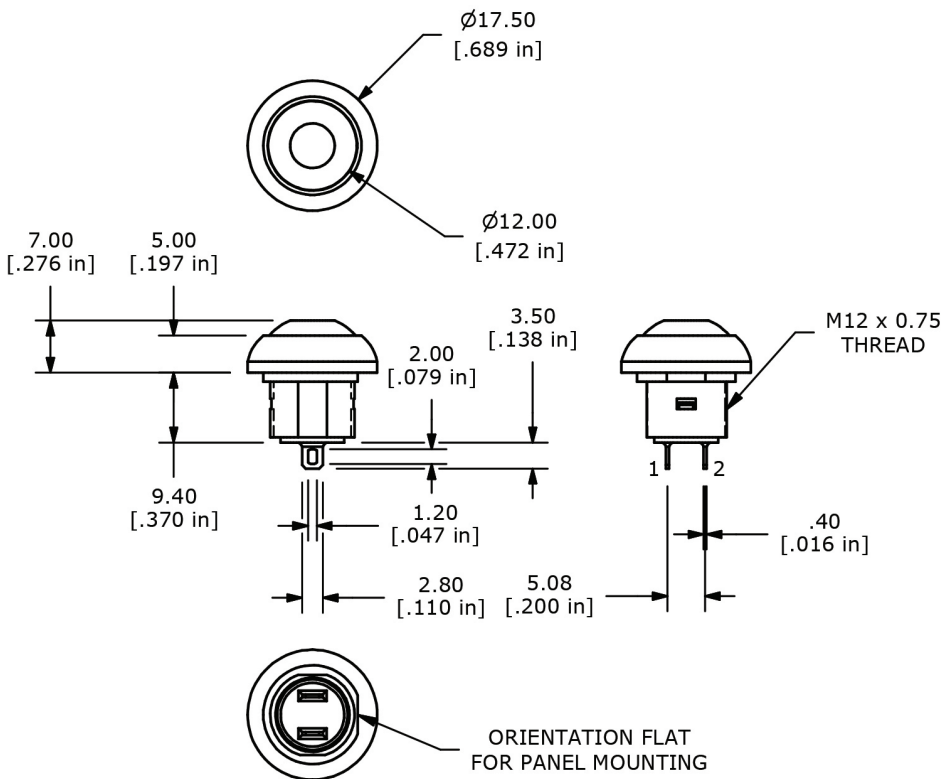
ANTI-VANDAL SWITCHES
DETECTOR SWITCHES
DIP SWITCHES
KEYLOCK SWITCHES
NAVIGATION SWITCHES
PUSHBUTTON SWITCHES
ROCKER SWITCHES
ROTARY SWITCHES
SLIDE SWITCHES
SNAP ACTION SWITCHES
TACTILE SWITCHES
TOGGLE SWITCHES
CAP OPTIONS

RP8100 SERIES PUSHBUTTON SWITCH

RP8100 w/ LED B2 BUSHING



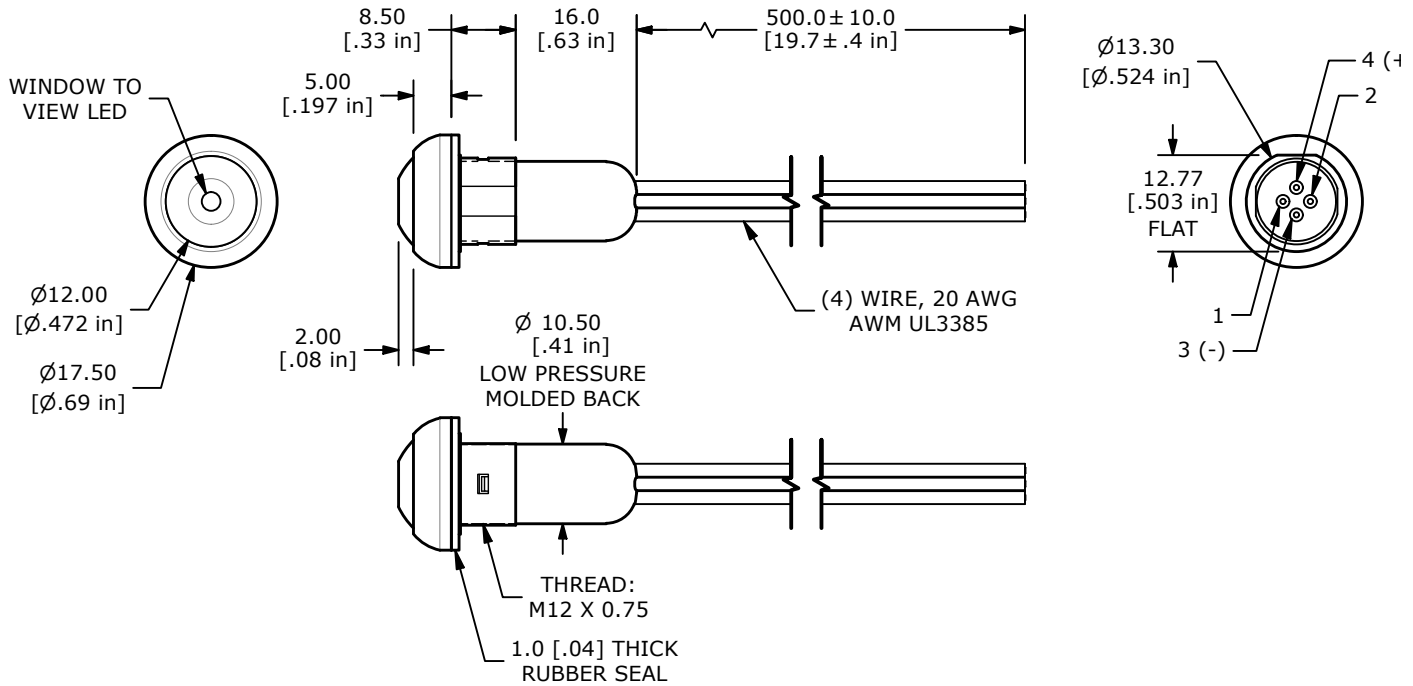
RP8100 w/o LED B2 BUSHING



RP8100 SERIES PUSHBUTTON SWITCH

RP8100 w/ LED B2 BUSHING MOLDED BACK w/ WIRED LEADS

TERMINAL	WIRE
1	WIRE, 20 AWG AWM UL3385, BLACK
2	WIRE, 20 AWG AWM UL3385, BLACK
3 (-)	WIRE, 20 AWG AWM UL3385, GREEN
4 (+)	WIRE, 20 AWG AWM UL3385, RED



RP8101 no LED B2

