

# QUINT-PS/24DC/24DC/20 - DC/DC converter



2320102

<https://www.phoenixcontact.com/us/products/2320102>

Please be informed that the data shown in this PDF document is generated from our online catalog. Please find the complete data in the user documentation. Our general terms of use for downloads are valid.



Primary-switched QUINT DC/DC converter for DIN rail mounting with SFB (Selective Fuse Breaking) Technology, input: 24 V DC, output: 24 V DC/20 A

## Product description

QUINT DC/DC converter with maximum functionality

DC/DC converters alter the voltage level, regenerate the voltage at the end of long cables or enable the creation of independent supply systems by means of electrical isolation.

QUINT DC/DC converters magnetically and therefore quickly trip circuit breakers with six times the nominal current, for selective and therefore cost-effective system protection. The high level of system availability is additionally ensured, thanks to preventive function monitoring, as it reports critical operating states before errors occur.

## Your advantages

- Reliable starting of difficult loads, thanks to the static POWER BOOST power reserve with up to 125% nominal current permanently
- Preventive function monitoring indicates critical operating states before errors occur
- Constant voltage: output voltage regenerated even at the end of long cables
- Support conversion to various voltage levels
- Electrical isolation: for setting up independent supply systems

## Commercial data

|                                      |                     |
|--------------------------------------|---------------------|
| Item number                          | 2320102             |
| Packing unit                         | 1 pc                |
| Minimum order quantity               | 1 pc                |
| Sales key                            | CM05                |
| Product key                          | CMDQ43              |
| Catalog page                         | Page 292 (C-4-2019) |
| GTIN                                 | 4046356481892       |
| Weight per piece (including packing) | 2,126 g             |
| Weight per piece (excluding packing) | 1,700 g             |
| Customs tariff number                | 85044095            |
| Country of origin                    | IN                  |

## Technical data

### Input data

#### DC operation

|                                           |                                                                                 |
|-------------------------------------------|---------------------------------------------------------------------------------|
| Nominal input voltage range               | 24 V DC                                                                         |
| Input voltage range                       | 18 V DC ... 32 V DC                                                             |
| Extended input voltage range in operation | 14 V DC ... 18 V DC (Derating)                                                  |
| Wide-range input                          | no                                                                              |
| Input voltage range DC                    | 18 V DC ... 32 V DC<br>14 V DC ... 18 V DC (Consider derating during operation) |
| Voltage type of supply voltage            | DC                                                                              |
| Inrush current                            | < 26 A (typical)                                                                |
| Inrush current integral ( $I^2t$ )        | < 11 A <sup>2</sup> s                                                           |
| Mains buffering time                      | typ. 10 ms (24 V DC)                                                            |
| Current consumption                       | 28 A (24 V, $I_{BOOST}$ )                                                       |
| Reverse polarity protection               | ≤ yes30 V DC                                                                    |
| Protective circuit                        | Transient surge protection; Varistor                                            |
| Recommended breaker for input protection  | 40 A ... 50 A (Characteristics B, C, D, K)                                      |

### Output data

|                                                    |                                                                                                                                          |
|----------------------------------------------------|------------------------------------------------------------------------------------------------------------------------------------------|
| Efficiency                                         | > 93 %                                                                                                                                   |
| Output characteristic                              | U/I                                                                                                                                      |
| Nominal output voltage                             | 24 V DC ±1 %                                                                                                                             |
| Setting range of the output voltage ( $U_{Set}$ )  | 18 V DC ... 29.5 V DC (> 24 V DC, constant capacity restricted)                                                                          |
| Nominal output current ( $I_N$ )                   | 20 A (-25 °C ... 60 °C)                                                                                                                  |
| POWER BOOST ( $I_{Boost}$ )                        | 25 A (-25 °C ... 40 °C permanent, $U_{OUT} = 24$ V DC )                                                                                  |
| Selective Fuse Breaking ( $I_{SFB}$ )              | 120 A (12 ms)                                                                                                                            |
| Magnetic circuit breaker tripping                  | B2 / B4 / B6 / B10 / B16 / C2 / C4 / C6                                                                                                  |
| Derating                                           | 60 °C ... 70 °C (2.5 %/K)                                                                                                                |
| Protection against overvoltage at the output (OVP) | < 35 V DC                                                                                                                                |
| Max. capacitive load                               | unlimited                                                                                                                                |
| Active current limitation                          | approx. 29 A                                                                                                                             |
| Control deviation                                  | < 1 % (change in load, static 10 % ... 90 %)<br>< 2 % (change in load, dynamic 10 % ... 90 %)<br>< 0.1 % (change in input voltage ±10 %) |
| Residual ripple                                    | < 20 mV <sub>PP</sub>                                                                                                                    |
| Output power                                       | 480 W                                                                                                                                    |
| Peak switching voltages nominal load               | < 10 mV <sub>PP</sub> (20 MHz)                                                                                                           |
| Maximum no-load power dissipation                  | 2.2 W                                                                                                                                    |
| Power loss nominal load max.                       | 39 W                                                                                                                                     |
| Rise time                                          | < 2 ms ( $U_{OUT}$ (10 % ... 90 %))                                                                                                      |
| Connection in parallel                             | yes, for redundancy and increased capacity                                                                                               |
| Connection in series                               | yes                                                                                                                                      |

# QUINT-PS/24DC/24DC/20 - DC/DC converter



2320102

<https://www.phoenixcontact.com/us/products/2320102>

Signal: DC OK active

|                         |                                          |
|-------------------------|------------------------------------------|
| Output description      | $U_{OUT} > 0.9 \times U_N$ : High signal |
| Switching voltage range | 18 V DC ... 24 V DC                      |
| Maximum inrush current  | < 20 mA (short-circuit-proof)            |

Signal: POWER BOOST, active

|                         |                               |
|-------------------------|-------------------------------|
| Output description      | $I_{OUT} < I_N$ : High signal |
| Switching voltage range | 18 V DC ... 24 V DC           |
| Maximum inrush current  | < 20 mA (short-circuit-proof) |

Signal:  $U_{IN}$  OK, active

|                         |                                    |
|-------------------------|------------------------------------|
| Output description      | $U_{IN} > 19.2$ V: High signal     |
| Switching voltage range | 18 V DC ... 24 V DC                |
| Maximum inrush current  | $\leq 20$ mA (short-circuit-proof) |

Signal: DC OK floating

|                        |                   |
|------------------------|-------------------|
| Output description     | Relay             |
| Output voltage         | $\leq 30$ V AC/DC |
| Maximum inrush current | $\leq 100$ mA     |

## Connection data

### Input

|                                       |                     |
|---------------------------------------|---------------------|
| Connection method                     | Screw connection    |
| Conductor cross section, rigid min.   | 0.5 mm <sup>2</sup> |
| Conductor cross section, rigid max.   | 16 mm <sup>2</sup>  |
| Conductor cross section flexible min. | 0.5 mm <sup>2</sup> |
| Conductor cross section flexible max. | 16 mm <sup>2</sup>  |
| Conductor cross section AWG min.      | 8                   |
| Conductor cross section AWG max.      | 6                   |
| Stripping length                      | 10 mm               |
| Screw thread                          | M3                  |
| Tightening torque, min                | 1.2 Nm              |
| Tightening torque max                 | 1.5 Nm              |

### Output

|                                       |                     |
|---------------------------------------|---------------------|
| Connection method                     | Screw connection    |
| Conductor cross section, rigid min.   | 0.2 mm <sup>2</sup> |
| Conductor cross section, rigid max.   | 6 mm <sup>2</sup>   |
| Conductor cross section flexible min. | 0.2 mm <sup>2</sup> |
| Conductor cross section flexible max. | 4 mm <sup>2</sup>   |
| Conductor cross section AWG min.      | 12                  |
| Conductor cross section AWG max.      | 10                  |
| Stripping length                      | 8 mm                |
| Screw thread                          | M3                  |
| Tightening torque, min                | 0.5 Nm              |

# QUINT-PS/24DC/24DC/20 - DC/DC converter



2320102

<https://www.phoenixcontact.com/us/products/2320102>

|                       |        |
|-----------------------|--------|
| Tightening torque max | 0.6 Nm |
|-----------------------|--------|

## Signal

|                                       |                     |
|---------------------------------------|---------------------|
| Conductor cross section, rigid min.   | 0.2 mm <sup>2</sup> |
| Conductor cross section, rigid max.   | 2.5 mm <sup>2</sup> |
| Conductor cross section flexible min. | 0.2 mm <sup>2</sup> |
| Conductor cross section flexible max. | 2.5 mm <sup>2</sup> |
| Conductor cross section AWG min.      | 24                  |
| Conductor cross section AWG max.      | 12                  |
| Screw thread                          | M3                  |
| Tightening torque, min                | 0.5 Nm              |
| Tightening torque max                 | 0.6 Nm              |

## Signaling

|                    |                         |
|--------------------|-------------------------|
| Types of signaling | LED                     |
|                    | Active switching output |
|                    | Relay contact           |

### Signal output: DC OK active

|                        |                                           |
|------------------------|-------------------------------------------|
| Status display         | "DC OK" LED green                         |
| Note on status display | $U_{OUT} < 0.9 \times U_N$ : LED flashing |
| Color                  | green                                     |
| Note on status display | LED flashing                              |

### Signal output: POWER BOOST, active

|                        |                                              |
|------------------------|----------------------------------------------|
| Status display         | "BOOST" LED yellow/ $I_{OUT} > I_N$ : LED on |
| Color                  | yellow                                       |
| Note on status display | LED on                                       |

### Signal output: $U_{IN}$ OK, active

|                        |                                                               |
|------------------------|---------------------------------------------------------------|
| Status display         | LED " $U_{IN} < 19.2$ V" yellow/ $U_{IN} < 19.2$ V DC: LED on |
| Color                  | yellow                                                        |
| Note on status display | LED on                                                        |

### Signal output: DC OK floating

|                        |                                             |
|------------------------|---------------------------------------------|
| Note on status display | $U_{OUT} > 0.9 \times U_N$ : Contact closed |
|------------------------|---------------------------------------------|

## Electrical properties

|                                 |                     |
|---------------------------------|---------------------|
| Number of phases                | 1.00                |
| Insulation voltage input/output | 1.5 kV (type test)  |
|                                 | 1 kV (routine test) |
|                                 | 1 kV (type test)    |

## Product properties

|                            |                    |
|----------------------------|--------------------|
| Product type               | DC/DC converters   |
| MTBF (IEC 61709, SN 29500) | > 554000 h (40 °C) |

# QUINT-PS/24DC/24DC/20 - DC/DC converter



2320102

<https://www.phoenixcontact.com/us/products/2320102>

## Insulation characteristics

|                     |     |
|---------------------|-----|
| Protection class    | III |
| Degree of pollution | 2   |

## Dimensions

|        |        |
|--------|--------|
| Width  | 82 mm  |
| Height | 130 mm |
| Depth  | 125 mm |

## Installation dimensions

|                                           |                                       |
|-------------------------------------------|---------------------------------------|
| Installation distance right/left          | 0 mm / 0 mm ( $\leq 70\text{ °C}$ )   |
| Installation distance right/left (active) | 15 mm / 15 mm ( $\leq 70\text{ °C}$ ) |
| Installation distance top/bottom          | 50 mm / 50 mm ( $\leq 70\text{ °C}$ ) |
| Installation distance top/bottom (active) | 50 mm / 50 mm ( $\leq 70\text{ °C}$ ) |

## Alternative assembly

|        |        |
|--------|--------|
| Width  | 122 mm |
| Height | 130 mm |
| Depth  | 85 mm  |

## Mounting

|                         |                                                                                                                                                                                                 |
|-------------------------|-------------------------------------------------------------------------------------------------------------------------------------------------------------------------------------------------|
| Mounting type           | DIN rail mounting                                                                                                                                                                               |
| Assembly note           | alignable: $P_N \geq 50\%$ , 5 mm horizontally, 15 mm next to active components, 50 mm vertically<br>alignable: $P_N < 50\%$ , 0 mm horizontally, 40 mm vertically top, 20 mm vertically bottom |
| Mounting position       | horizontal DIN rail NS 35, EN 60715                                                                                                                                                             |
| With protective coating | No                                                                                                                                                                                              |

## Material specifications

|                  |                                               |
|------------------|-----------------------------------------------|
| Housing material | Metal                                         |
| Type of housing  | Aluminum (AlMg3)                              |
| Hood version     | Galvanized sheet steel, free from chrome (VI) |

## Environmental and real-life conditions

### Ambient conditions

|                                                |                                                                            |
|------------------------------------------------|----------------------------------------------------------------------------|
| Degree of protection                           | IP20                                                                       |
| Ambient temperature (operation)                | -25 °C ... 70 °C (> 60 °C derating, 2.5 %/K, startup at -40°C type-tested) |
| Ambient temperature (storage/transport)        | -40 °C ... 85 °C                                                           |
| Ambient temperature (start-up type tested)     | -40 °C                                                                     |
| Climatic class                                 | 3K3 (in acc. with EN 60721)                                                |
| Max. permissible relative humidity (operation) | $\leq 95\%$ (at 25 °C, non-condensing)                                     |
| Shock                                          | 18 ms, 30g, in each space direction (according to IEC 60068-2-27)          |
| Vibration (operation)                          | < 15 Hz, amplitude $\pm 2.5$ mm (according to IEC 60068-2-6)               |

# QUINT-PS/24DC/24DC/20 - DC/DC converter



2320102

<https://www.phoenixcontact.com/us/products/2320102>

|  |                                 |
|--|---------------------------------|
|  | 15 Hz ... 150 Hz, 2.3g, 90 min. |
|--|---------------------------------|

## Standards and regulations

|                                                                                                                                  |                            |
|----------------------------------------------------------------------------------------------------------------------------------|----------------------------|
| Rail applications                                                                                                                | EN 50121-4                 |
| Standard – Electronic equipment for use in electrical power installations and their assembly into electrical power installations | EN 50178/VDE 0160 (PELV)   |
| Standard - Electrical safety                                                                                                     | EN 60950-1/VDE 0805 (SELV) |
| Standard – Safety extra-low voltage                                                                                              | EN 60950-1 (SELV)          |
|                                                                                                                                  | EN 60204 (PELV)            |
| Standard - Safe isolation                                                                                                        | DIN VDE 0100-410           |

## Approvals

|                       |                                                                                  |
|-----------------------|----------------------------------------------------------------------------------|
| Shipbuilding approval | DNV GL (EMC B)                                                                   |
| UL approvals          | UL/C-UL listed UL 508                                                            |
|                       | UL/C-UL Recognized UL 60950-1                                                    |
|                       | UL ANSI/ISA-12.12.01 Class I, Division 2, Groups A, B, C, D (Hazardous Location) |

## EMC data

|                                     |                                           |
|-------------------------------------|-------------------------------------------|
| EMC requirements for noise emission | EN 61000-6-3                              |
|                                     | EN 61000-6-4                              |
| EMC requirements for noise immunity | EN 61000-6-1                              |
|                                     | EN 61000-6-2                              |
| Electromagnetic compatibility       | Conformance with EMC Directive 2014/30/EU |

### Electrostatic discharge

|                       |              |
|-----------------------|--------------|
| Standards/regulations | EN 61000-4-2 |
|-----------------------|--------------|

### Electrostatic discharge

|                   |                      |
|-------------------|----------------------|
| Contact discharge | 8 kV (Test Level 4)  |
| Discharge in air  | 15 kV (Test Level 4) |
| Comments          | Criterion A          |

### Electromagnetic HF field

|                       |              |
|-----------------------|--------------|
| Standards/regulations | EN 61000-4-3 |
|-----------------------|--------------|

### Electromagnetic HF field

|                     |                  |
|---------------------|------------------|
| Frequency range     | 80 MHz ... 1 GHz |
| Test field strength | 10 V/m           |
| Frequency range     | 1 GHz ... 2 GHz  |
| Test field strength | 10 V/m           |
| Frequency range     | 2 GHz ... 3 GHz  |
| Test field strength | 10 V/m           |
| Comments            | Criterion A      |

### Fast transients (burst)

|                       |              |
|-----------------------|--------------|
| Standards/regulations | EN 61000-4-4 |
|-----------------------|--------------|

# QUINT-PS/24DC/24DC/20 - DC/DC converter



2320102

<https://www.phoenixcontact.com/us/products/2320102>

## Fast transients (burst)

|          |                                    |
|----------|------------------------------------|
| Input    | 2 kV (Test Level 3 - asymmetrical) |
| Output   | 2 kV (Test Level 3 - asymmetrical) |
| Signal   | 2 kV (Test Level 4 - asymmetrical) |
| Comments | Criterion A                        |

## Surge voltage load (surge)

|                       |              |
|-----------------------|--------------|
| Standards/regulations | EN 61000-4-5 |
|-----------------------|--------------|

## Surge voltage load (surge)

|          |                                      |
|----------|--------------------------------------|
| Input    | 0.5 kV (Test Level 1 - symmetrical)  |
|          | 0.5 kV (Test Level 1 - asymmetrical) |
| Output   | 0.5 kV (Test Level 1 - symmetrical)  |
|          | 0.5 kV (Test Level 1 - asymmetrical) |
| Signal   | 1 kV (Test Level 2 - asymmetrical)   |
| Comments | Criterion B                          |

## Conducted interference

|                       |              |
|-----------------------|--------------|
| Standards/regulations | EN 61000-4-6 |
|-----------------------|--------------|

## Conducted interference

|                 |                     |
|-----------------|---------------------|
| I/O/S           | asymmetrical        |
| Frequency range | 0.15 MHz ... 80 MHz |
| Comments        | Criterion A         |
| Voltage         | 10 V (Test Level 3) |

## Emitted interference

|                                                  |                                                                            |
|--------------------------------------------------|----------------------------------------------------------------------------|
| Standards/regulations                            | EN 61000-6-3                                                               |
| Radio interference voltage in acc. with EN 55011 | EN 55011 (EN 55022) Class B, area of application: Industry and residential |
| Emitted radio interference in acc. with EN 55011 | EN 55011 (EN 55022) Class B, area of application: Industry and residential |

## Criteria

|             |                                                                                      |
|-------------|--------------------------------------------------------------------------------------|
| Criterion A | Normal operating behavior within the specified limits.                               |
| Criterion B | Temporary impairment to operational behavior that is corrected by the device itself. |

# QUINT-PS/24DC/24DC/20 - DC/DC converter

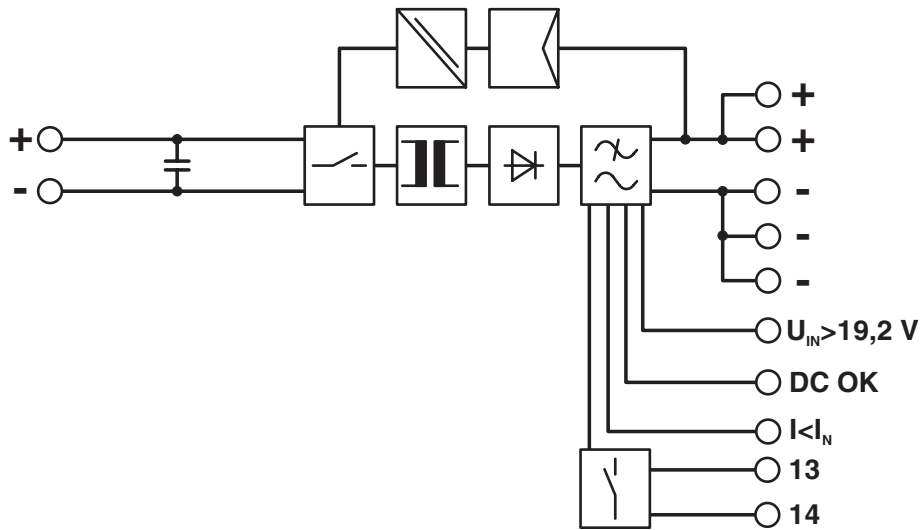


2320102

<https://www.phoenixcontact.com/us/products/2320102>

## Drawings

Block diagram





# QUINT-PS/24DC/24DC/20 - DC/DC converter



2320102

<https://www.phoenixcontact.com/us/products/2320102>

## Approvals

To download certificates, visit the product detail page: <https://www.phoenixcontact.com/us/products/2320102>



**cUL Recognized**  
Approval ID: FILE E 211944



**UL Recognized**  
Approval ID: FILE E 211944



**IECEE CB Scheme**  
Approval ID: DK-5535-M1



**EAC**  
Approval ID: EAC-Zulassung



**NK**  
Approval ID: TA24091M



**BV**  
Approval ID: 27662/C0 BV



**EAC**  
Approval ID: RU S-DE.BL08.W.00764



**UL Listed**  
Approval ID: FILE E 123528



**cUL Listed**  
Approval ID: FILE E 123528



**RINA**  
Approval ID: ELE333522XG

**ABS**

Approval ID: 20-2022536-PDA

# QUINT-PS/24DC/24DC/20 - DC/DC converter



2320102

<https://www.phoenixcontact.com/us/products/2320102>



**LR**

Approval ID: LR22301698TA-02

**DNV**

Approval ID: TAA000030X



**IECEE CB Scheme**

Approval ID: DE/PTZ/0071



**NK**

Approval ID: TA22564M



**cUL Listed**

Approval ID: FILE E 199827



**UL Listed**

Approval ID: FILE E 199827

**cULus Recognized**

**cULus Listed**

**cULus Listed**

# QUINT-PS/24DC/24DC/20 - DC/DC converter



2320102

<https://www.phoenixcontact.com/us/products/2320102>

## Classifications

### ECLASS

|             |          |
|-------------|----------|
| ECLASS-11.0 | 27040701 |
| ECLASS-12.0 | 27040701 |
| ECLASS-13.0 | 27040701 |

### ETIM

|          |          |
|----------|----------|
| ETIM 9.0 | EC002540 |
|----------|----------|

### UNSPSC

|             |          |
|-------------|----------|
| UNSPSC 21.0 | 39121000 |
|-------------|----------|

2320102

<https://www.phoenixcontact.com/us/products/2320102>

## Environmental product compliance

### EU RoHS

|                                         |              |
|-----------------------------------------|--------------|
| Fulfills EU RoHS substance requirements | Yes          |
| Exemption                               | 7(a), 7(c)-I |

### China RoHS

|                                        |                                                                                                                                                                                                                                   |
|----------------------------------------|-----------------------------------------------------------------------------------------------------------------------------------------------------------------------------------------------------------------------------------|
| Environment friendly use period (EFUP) | EFUP-25                                                                                                                                                                                                                           |
|                                        | An article-related China RoHS declaration table can be found in the download area for the respective article under "Manufacturer declaration". For all articles with EFUP-E, no China RoHS declaration table issued and required. |

### EU REACH SVHC

|                                     |                                      |
|-------------------------------------|--------------------------------------|
| REACH candidate substance (CAS No.) | Lead(CAS: 7439-92-1)                 |
| SCIP                                | 3cf66bba-8679-479e-bbd0-1ce31ea74c36 |

# QUINT-PS/24DC/24DC/20 - DC/DC converter



2320102

<https://www.phoenixcontact.com/us/products/2320102>

## Accessories

### QUINT-PS/1AC/24DC/40 - Power supply unit

2866789

<https://www.phoenixcontact.com/us/products/2866789>



Primary-switched power supply unit QUINT POWER, Screw connection, DIN rail mounting, SFB Technology (Selective Fuse Breaking), input: 1-phase, output: 24 V DC / 40 A

---

### QUINT-PS/3AC/24DC/40 - Power supply unit

2866802

<https://www.phoenixcontact.com/us/products/2866802>



Primary-switched power supply unit QUINT POWER, Screw connection, DIN rail mounting, SFB Technology (Selective Fuse Breaking), input: 3-phase, output: 24 V DC / 40 A

# QUINT-PS/24DC/24DC/20 - DC/DC converter



2320102

<https://www.phoenixcontact.com/us/products/2320102>

## QUINT-ORING/24DC/2X20/1X40 - Redundancy module, with protective coating

2320186

<https://www.phoenixcontact.com/us/products/2320186>



Active QUINT redundancy module for DIN rail mounting with ACB (Auto Current Balancing) Technology and monitoring functions, input: 24 V DC/2x 20 A, output: 24 V DC/1 x 40 A, including mounted UTA 107/30 universal DIN rail adapter

---

## UTA 107 - DIN rail adapter

2853983

<https://www.phoenixcontact.com/us/products/2853983>

Universal DIN rail adapter, for screwing on switchgear



# QUINT-PS/24DC/24DC/20 - DC/DC converter



2320102

<https://www.phoenixcontact.com/us/products/2320102>

## UWA 182/52 - Mounting adapter

2938235

<https://www.phoenixcontact.com/us/products/2938235>



Universal wall adapter for securely mounting the device in the event of strong vibrations. The device is screwed directly onto the mounting surface. The universal wall adapter is attached on the top/bottom.

---

## QUINT-PS-ADAPTERS7/2 - Mounting adapter

2938206

<https://www.phoenixcontact.com/us/products/2938206>

Assembly adapter for QUINT POWER 10A on S7-300 rail



# QUINT-PS/24DC/24DC/20 - DC/DC converter



2320102

<https://www.phoenixcontact.com/us/products/2320102>

## CB TM1 1A SFB P - Thermomagnetic device circuit breaker

2800836

<https://www.phoenixcontact.com/us/products/2800836>



Thermomagnetic device circuit breaker, 1-pos., tripping characteristic SFB, 1 changeover contact, plug for base element.

---

## CB TM1 2A SFB P - Thermomagnetic device circuit breaker

2800837

<https://www.phoenixcontact.com/us/products/2800837>



Thermomagnetic device circuit breaker, 1-pos., tripping characteristic SFB, 1 changeover contact, plug for base element.



# QUINT-PS/24DC/24DC/20 - DC/DC converter



2320102

<https://www.phoenixcontact.com/us/products/2320102>

## CB TM1 3A SFB P - Thermomagnetic device circuit breaker

2800838

<https://www.phoenixcontact.com/us/products/2800838>



Thermomagnetic device circuit breaker, 1-pos., tripping characteristic SFB, 1 changeover contact, plug for base element.

---

## CB TM1 4A SFB P - Thermomagnetic device circuit breaker

2800839

<https://www.phoenixcontact.com/us/products/2800839>



Thermomagnetic device circuit breaker, 1-pos., tripping characteristic SFB, 1 changeover contact, plug for base element.

# QUINT-PS/24DC/24DC/20 - DC/DC converter



2320102

<https://www.phoenixcontact.com/us/products/2320102>

## CB TM1 5A SFB P - Thermomagnetic device circuit breaker

2800840

<https://www.phoenixcontact.com/us/products/2800840>



Thermomagnetic device circuit breaker, 1-pos., tripping characteristic SFB, 1 changeover contact, plug for base element.

---

## CB TM1 6A SFB P - Thermomagnetic device circuit breaker

2800841

<https://www.phoenixcontact.com/us/products/2800841>



Thermomagnetic device circuit breaker, 1-pos., tripping characteristic SFB, 1 changeover contact, plug for base element.

# QUINT-PS/24DC/24DC/20 - DC/DC converter



2320102

<https://www.phoenixcontact.com/us/products/2320102>

## CB TM1 8A SFB P - Thermomagnetic device circuit breaker

2800842

<https://www.phoenixcontact.com/us/products/2800842>



Thermomagnetic device circuit breaker, 1-pos., tripping characteristic SFB, 1 changeover contact, plug for base element.

---

## CB TM1 10A SFB P - Thermomagnetic device circuit breaker

2800843

<https://www.phoenixcontact.com/us/products/2800843>



Thermomagnetic device circuit breaker, 1-pos., tripping characteristic SFB, 1 changeover contact, plug for base element.

# QUINT-PS/24DC/24DC/20 - DC/DC converter



2320102

<https://www.phoenixcontact.com/us/products/2320102>

## CB TM1 12A SFB P - Thermomagnetic device circuit breaker

2800844

<https://www.phoenixcontact.com/us/products/2800844>



Thermomagnetic device circuit breaker, 1-pos., tripping characteristic SFB, 1 changeover contact, plug for base element.

## CB TM1 16A SFB P - Thermomagnetic device circuit breaker

2800845

<https://www.phoenixcontact.com/us/products/2800845>



Thermomagnetic device circuit breaker, 1-pos., tripping characteristic SFB, 1 changeover contact, plug for base element.

Phoenix Contact 2024 © - all rights reserved  
<https://www.phoenixcontact.com>

Phoenix Contact USA  
586 Fulling Mill Road  
Middletown, PA 17057, United States  
(+717) 944-1300  
[info@phoenixcon.com](mailto:info@phoenixcon.com)