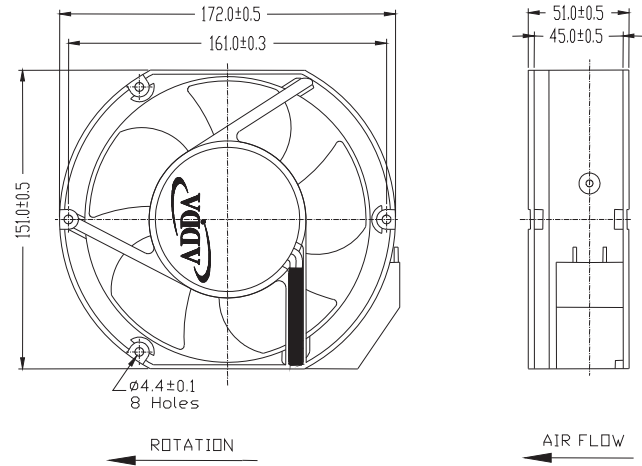




# AA17251

## External Dimensions



Frame: Aluminum Alloy  
 Impeller: Plastic (UL: 94V-0)  
 Motor Structure: Shaded Pole Induction Motor.  
 Motor Protection: Impedance Protect.  
 Lead wire: UL 1015 AWG 18  
 OPERATING TEMP\*: -10°C ~ 70°C  
 \*: -10°C ~ 60°C for fans with sleeve/ball combination bearings.

## Specifications (Nominal)

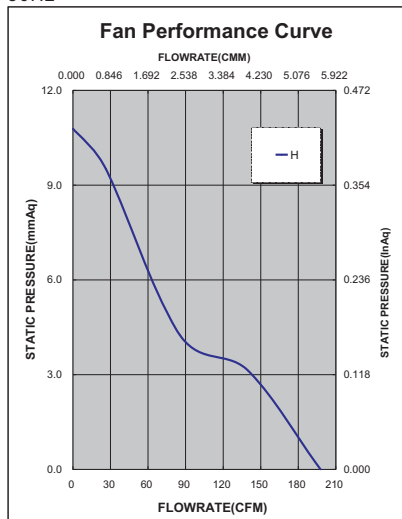
\*Noise is measured at the distance of one (1) meter from the axis of intake.

Bearing type: ◎=Ball ※=Sleeve ○=1B1S ●=Hypro bearing

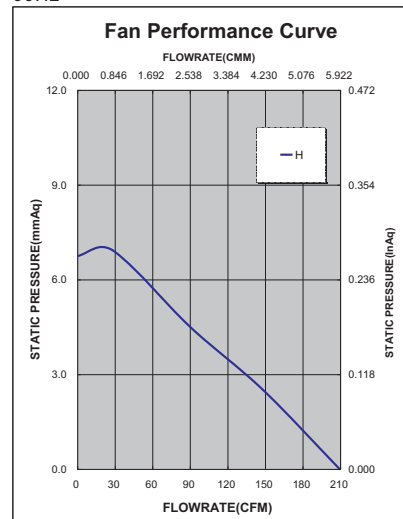
Frame size (mm)	Model No.	Bearing System Type	Volt. (VAC)	Freq. (Hz)	Current (A)	Power (W)	Rated Speed (rpm)	Maximum AirFlow (CMM)	Maximum AirFlow (CFM)	Maximum Pressure (InAq)	Maximum Pressure (mmAq)	*Noise Level (dB/A)	Weight (g)
172x150X51	AA1751HB-AT	◎	115	50/60	0.52/0.47	40.90/36.70	2500/2800	5.546/5.943	196.0/210.0	0.425/0.266	10.795/6.756	52.3/53.0	930
	AA1752HB-AT		230		0.28/0.24	41.90/37.60							

Specifications subject to change without notice.

50Hz



60Hz



\*Safety approvals

✓	✓		✓	✓