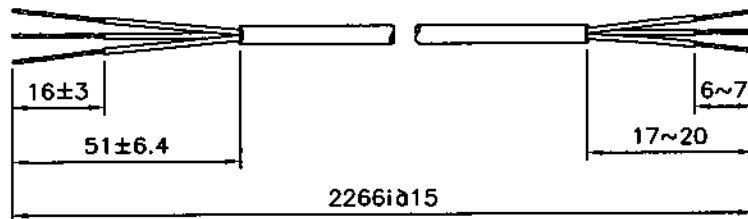


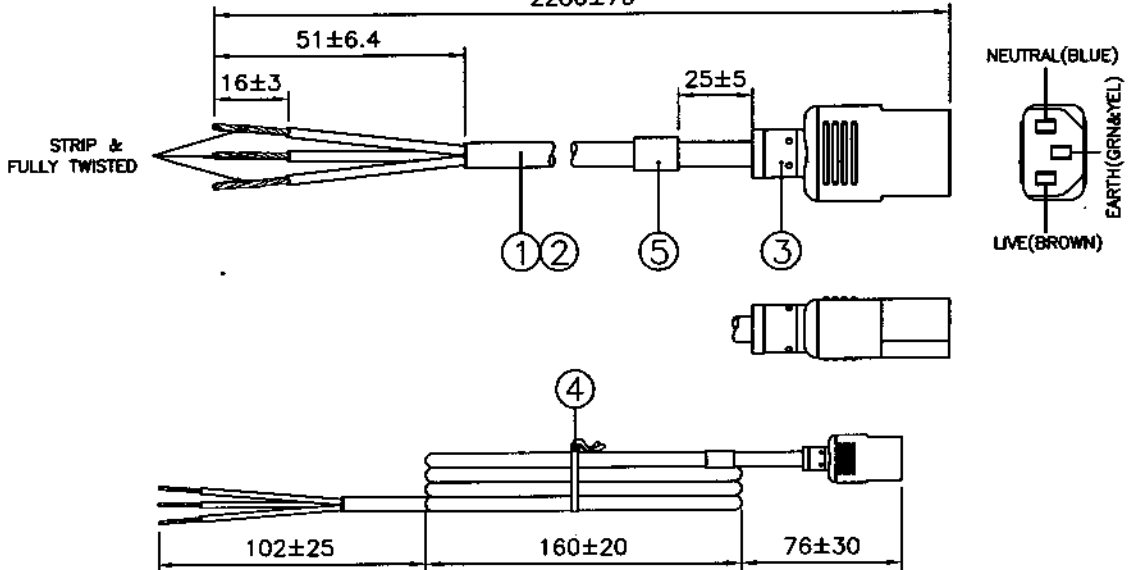
DRAWING NUMBER: 1105504
 REVISION: G



- CABLE CUTTING**
CABLE SOURCE :
 1. BAO HING(SHENZHEN). (FOR S/N 1)
 2. TONG YUAN(SHENZHEN).(FOR S/N 1)
 3. TA HSING(SHENZHEN).(FOR S/N 1)
 4. WONDERFUL.(FOR S/N 2)

ASSEMBLY :

2286±76



- Notes :**
- ALL DIMENSIONS IN mm.
 - CONNECTOR MARKING : REFER TO MARKING DRAWING NO. : VC-0157.
 - CONNECTOR DETAILS : REFER TO PRODUCT DRAWING NO. : C-0230.
 - LABEL DETAILS : REFER TO LABEL DRAWING NO. : VL-0234.
 - CARTON BOX MUST HAVE A LABEL/STAMP SAYING : " THIS PACKAGE CONTAINS CORDS HAVING GROUNDING CONDUCTOR WITH GREEN/YELLOW COLOUR INSULATOR, GROUNDED CONDUCTOR WITH BLUE COLOUR INSULATOR AND LIVE CONDUCTOR WITH BROWN COLOUR INSULATOR " .
 - THIS PART CAN BE MANUFACTURED AT ANY LOCATION WHICH HAS SAFETY APPROVAL.

REV.	ECR REF. NO.	DESCRIPTION	DATE
F	110393	ADD IN CABLE SOURCE 'WONDERFUL'. ADD IN CABLE ITEM NO. '1810287'.	02/06/11
G	120243	REMOVE CABLE SOURCE 'SANLUNG' & 'AWIN'.	15/05/12

5	PRINTED LABEL	VL-0234	1
4	8" PE TIE BLK	6310062	1
	IP50G NL7977B BLK	4100098	-
3	MOLDED CONNECTOR 386A (10A 250V)	386A	1
2	SVT 18/3 60°C BBGY BLK LF (OD 6.1)	1810287	OR
1	SVT 18/3 60°C BBGY BLK PVC LEAD FREE	1810121	2.266M

S/N	DESCRIPTION	ITEM NUMBER	QTY
TITLE : NORTH-AMERICAN WIRING HARNESS (RoHS COMPLIANT)		PAGE : 1/2	
CUSTOMER : VIS/VOLEX INC		HG07-375-06	
CUSTOMER PART NUMBER : 17254 1Ø B1		DWG. TYPE	
F/G CODE : 17254 1Ø B1		SPEC NO. : ---	OED
SALES :	QA :	ENGRG :	CHECKED BY :
DATE :	DATE :	DATE :	DATE :
		11/5/12	15/5/12
			15/05/12

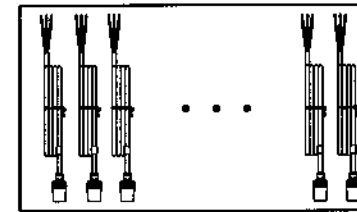
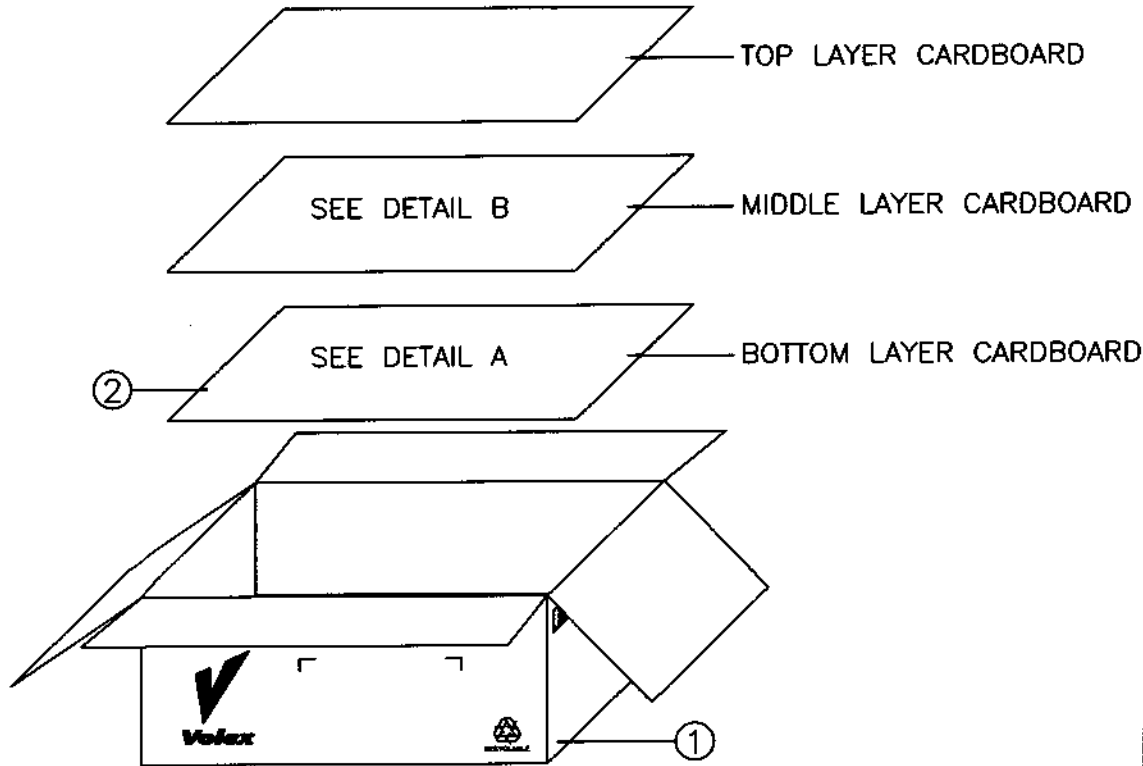


DRAWING NUMBER :

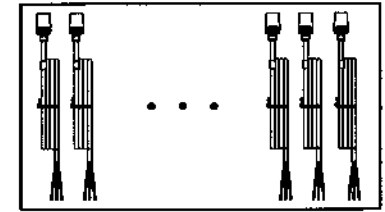
1105504

PACKAGING INSTRUCTION

1. 50 PCS PER LAYER, 2 LAYERS PER CARTON.
2. ALL CORDS LAYOUT AS DETAIL.
3. PACKAGING : 100 PCS PER CARTON.



DETAIL A



DETAIL B

NOTE :

1.) ALL DIMENSIONS IN mm.

2	CARTON PAPER 550X305MM	901024	0.03
1	LONG CARTON 560X330X250MM	901011	0.01
S/N	DESCRIPTION	ITEM NUMBER	QTY

REVISION	G	TITLE : PACKAGING SPEC.
PAGE	2/2	
SCALE	N.T.S.	

REFERENCE :	Volex
DESCRIPTION : LONG CARTON	

Mouser Electronics

Authorized Distributor

Click to View Pricing, Inventory, Delivery & Lifecycle Information:

[Volex:](#)

[17254 10 B1](#)